

FT 90 ILA-S2Q12

Order no.:	591-91000
Sensor principle:	Distance sensors
Features:	0.5 ... 10 m, plug M16-12Pol

product data

Housing:	cube
Connection type:	Plug M16 12-pin
Light type:	LED, Infrared
Output:	analogue
Range:	500 ... 10000 mm
Series:	F 9x
Protection standard:	IP67
Typical resolution*:	+/- 2 mm

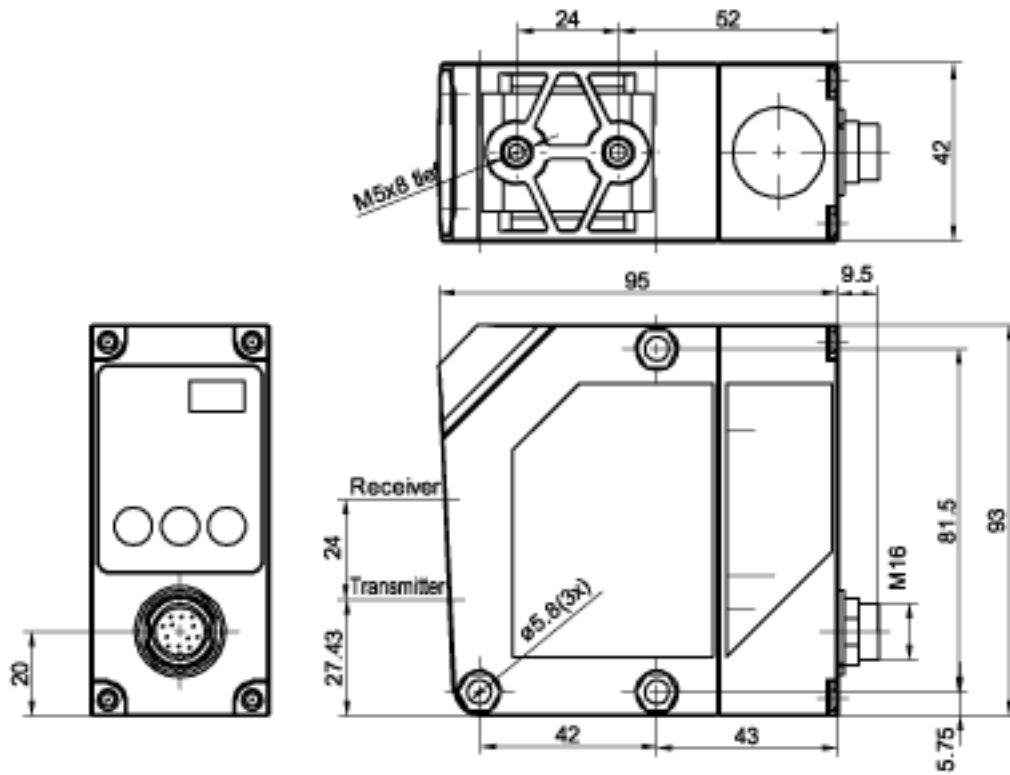


Image may vary from product.



*The resolution can differ depending on target object or ambient conditions.

dimensional drawing:



connection diagram:

