



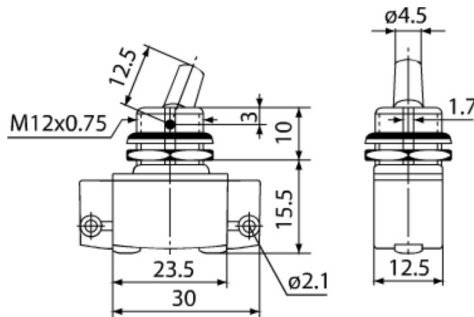
Marquardt GmbH
Schloss-Str. 16
78604 Rietheim-Weilheim

Germany


Phone
: +49 (0) 7424 / 99-0
Fax : +49 (0) 7424 / 99-2399

Net : www.marquardt.de
E-mail : marquardt@marquardt.de

Product image / Drawings



Technical data

Product number	0101.0401	
Actuator color / printing		
Business unit	Switches & Sensors	
Product Manager	Mattes	
Product family	Toggle switches	
Actuation type	direct	
Weight	15.500 g	
ROHS conform	yes	
Switching function	Changeover switch (SPDT)	
Material fixed contact	CuZn silver-plated	
Number of poles connections	1-polig Solder terminal	
Mechanical life endurance	5E4	
Rating IEC	2 A 250 V 1E4	
Actuators and additional actuators	lever: PA, black	
Housing description	base plate: Duroplast, black bracket plate: chromated galvanized steel threaded socket: CuZn nickel-plated, with knurled nut and hexagonal nut of nickel-plated CuZn	
Connection surface	bearing connection	silver plated
	external connection	silver plated
Contact material	CuZn silver plated	
Contact type	jump contact (roll contact)	
Type of fastening	central fastening M12 x 0.75	