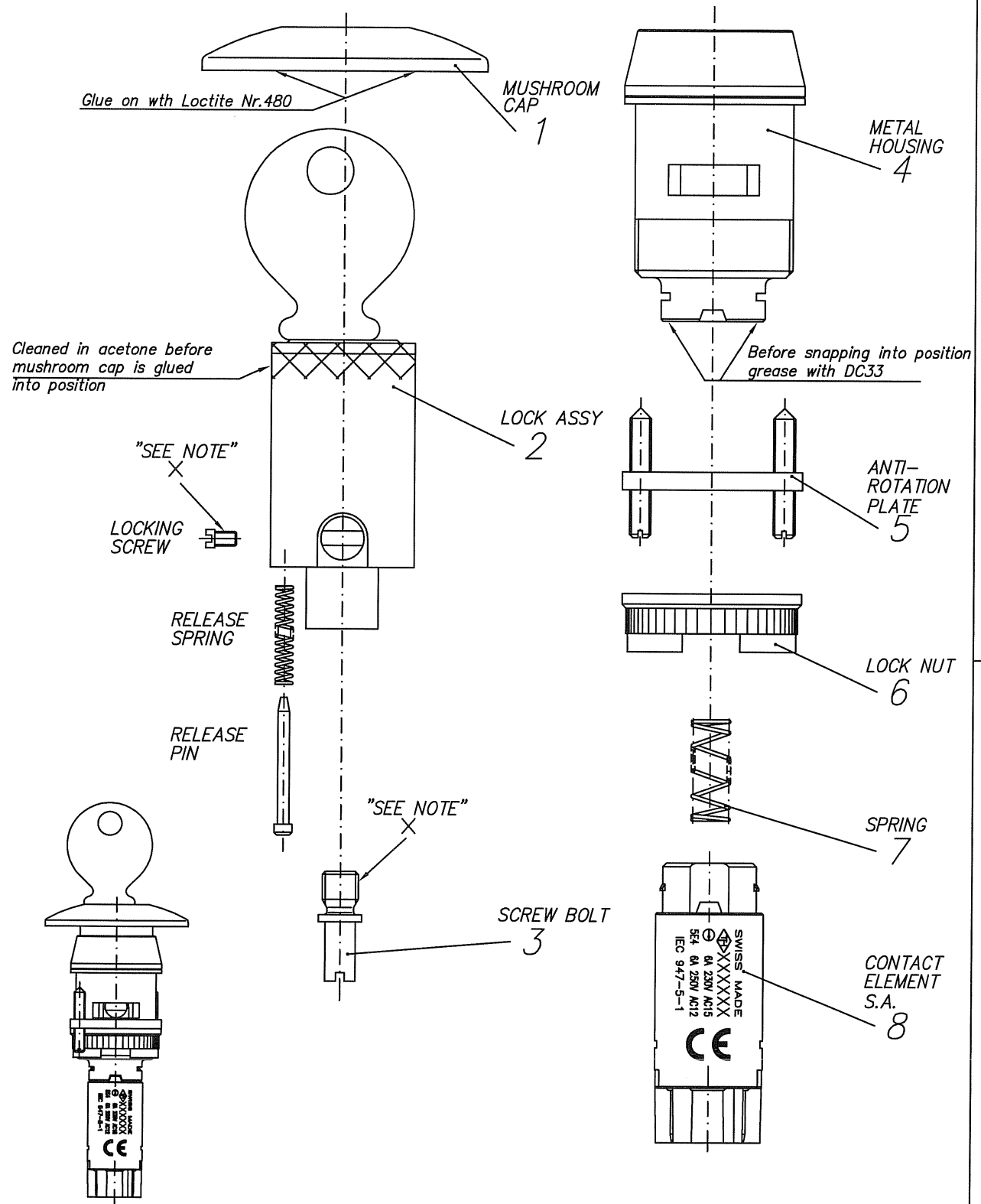



TH885503691

Das Urheberrecht an dieser Zeichnung und allen Beilagen, die dem Empfänger persönlich anvertraut sind, verbleibt jederzeit unserer Firma. Ohne unsere schriftliche Genehmigung dürfen sie nicht kopiert, auch niemals dritten Personen mitgeteilt oder zugänglich gemacht werden.



Actual size

× Secure with Loctite Nr.243

Aenderungen		Datum/visum	Mstb.	2:1 1:1	MUSHROOM / KEY RESET TH8 (KABA,KESO)
1	Klebstoff und Reinigung neu definiert	08.08.2002 og	Gez.	16.01.97 rw	
2	Component description added	03.02.03 T.B.	Gep.		
3					 tschudin & held ag 4153 Reinach
4					
5					

Originalgrösse: A3

DN: 880002



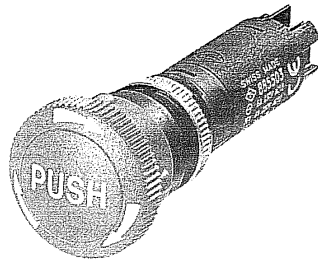
Technical Information

Actuating force	Approx. 6 N pushbutton switches Approx. 32 N emergency stop switches Approx. 25 N mushroom switches												
Fixation	Pushbutton switches: central, with metal fixation nut Emergency stop switches / mushroom switches: central, with metal fixation nut Mushroom switches with key reset: central, with anti-rotation device and metal fixation nut												
Protective system	Generally: IP66/IP67, exception: mushroom switch IP40 with key reset												
Bezel material	Thermoplast or nickel plated brass												
Lens material	Thermoplast (polycarbonate)												
Ambient temperature	-25° upto +55°C Heat congestion should be avoided												
Life expectancy mechanical operating cycles	<table border="1"> <tr> <td>Pushbutton switches:</td> <td>Mushroom switches:</td> <td>Emergency stop:</td> <td>Mushroom switch with key:</td> </tr> <tr> <td>1'000'000</td> <td>50'000</td> <td>30'000</td> <td>25'000</td> </tr> </table>	Pushbutton switches:	Mushroom switches:	Emergency stop:	Mushroom switch with key:	1'000'000	50'000	30'000	25'000				
Pushbutton switches:	Mushroom switches:	Emergency stop:	Mushroom switch with key:										
1'000'000	50'000	30'000	25'000										
Contact block 6A	factory fitted onto the switch												
Casing material	Thermoplast												
Terminal material	Silver nickel, 0.4 µm gold plated												
Contact resistance	< 30 mOhm												
Number of contacts	<table border="1"> <tr> <td>Pushbutton switches:</td> <td>Emergency stop switches and mushroom switches:</td> </tr> <tr> <td>1NC + 1NO</td> <td>1NC + 1NO</td> </tr> <tr> <td>2NC</td> <td>2NC</td> </tr> <tr> <td>2NO</td> <td></td> </tr> <tr> <td colspan="2">circuits independent of each other</td> </tr> </table>	Pushbutton switches:	Emergency stop switches and mushroom switches:	1NC + 1NO	1NC + 1NO	2NC	2NC	2NO		circuits independent of each other			
Pushbutton switches:	Emergency stop switches and mushroom switches:												
1NC + 1NO	1NC + 1NO												
2NC	2NC												
2NO													
circuits independent of each other													
Terminals	Faston terminals 2.8 x 0.5 mm for faston plugs according to DIN 46247 Please respect the installation regulations!												
Switching mechanism	<table border="1"> <tr> <td>Pushbutton switches: self cleaning snap-action contacts, bounce time < 1 msec</td> <td>Emergency stop and mushroom switches: self cleaning contacts with positive opening operation, bounce time < 1 msec</td> </tr> </table>	Pushbutton switches: self cleaning snap-action contacts, bounce time < 1 msec	Emergency stop and mushroom switches: self cleaning contacts with positive opening operation, bounce time < 1 msec										
Pushbutton switches: self cleaning snap-action contacts, bounce time < 1 msec	Emergency stop and mushroom switches: self cleaning contacts with positive opening operation, bounce time < 1 msec												
Contact gap	> 3 mm												
Switching capacity	6A, 230V AC utilization category AC-15 according to IEC 947-5-1, recommended miniature breaker type C 6A												
Life expectancy electrical	<table border="1"> <tr> <td>20'000 operating cycles</td> <td>50'000 operating cycles</td> <td>100'000 operating cycles</td> <td>300'000 operating cycles</td> </tr> <tr> <td>-</td> <td>6A 250V AC12</td> <td>-</td> <td>2.5A 250V AC12</td> </tr> <tr> <td>10A 24V DC13</td> <td>5A 24V DC13</td> <td>5A 12V DC13</td> <td>-</td> </tr> </table>	20'000 operating cycles	50'000 operating cycles	100'000 operating cycles	300'000 operating cycles	-	6A 250V AC12	-	2.5A 250V AC12	10A 24V DC13	5A 24V DC13	5A 12V DC13	-
20'000 operating cycles	50'000 operating cycles	100'000 operating cycles	300'000 operating cycles										
-	6A 250V AC12	-	2.5A 250V AC12										
10A 24V DC13	5A 24V DC13	5A 12V DC13	-										



Mushroom switches with rotary reset

IP66/IP67



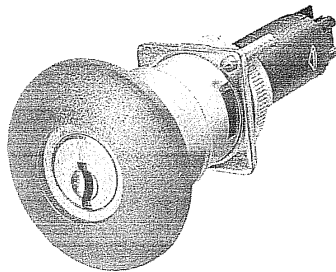
Panel cut-out 16.2 mm

- mushroom cap Ø 24 mm, red
- positive opening operation
- light action, suitable for smaller equipment
- faston terminals 2.8 x 0.5 mm

	mushroom cap with printing	mushroom cap without printing
1NC + 1NO	880 003 000	880 103 000
2NC	880 004 000	880 104 000

Mushroom switches with key reset

IP40



Panel cut-out 22.5 mm

- mushroom cap Ø 40 mm, red
- bezel Ø 29 mm nickel plated brass
- positive opening operation
- light action
- faston terminals 2.8 x 0.5 mm

When operated the switch locks automatically and can only be released with the key.

	model with KABA 8-cylinder standard key code 317 000	model with KESO 1000-cylinder standard key code 195 77
1NO + 1NC 2NC	885 503 100 885 504 100	885 503 200 885 504 200
Cylinder no. for key code plans	1063 B	16034
Spare key	693 016 000 weight 11g	693 017 000 weight 15g

These switches can be integrated in security key code plans. The following security systems are available at a surcharge: KABA 8, KABA 20, KABA STAR, KESO 1000, KESO 2000, KESO 3000. Extra or spare registered keys are only available from the cylinder manufacturer.

