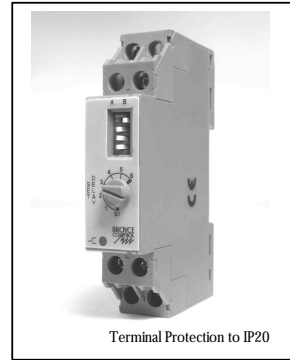


Type: M1MFM

Multi Function, Multi Voltage Timer

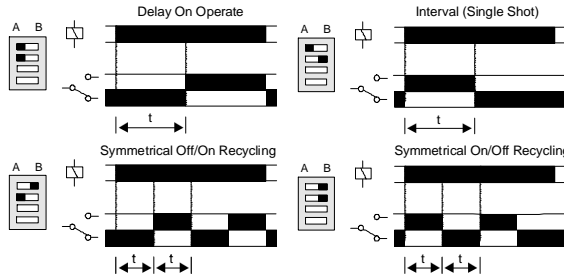
- 17.5mm DIN rail housing
- Delay On Operate, Interval, Symmetrical Recycling Off/On or On/Off
- Multi-voltage supply: 24 - 240V AC / DC
- Two time ranges available: 0.5secs - 60mins or 5secs to 10hours*
- DIP Switch facility allows one of 4 ranges to be selected
- 1 x SPDT relay output 8A
- LED indication for relay status

Dims:
to DIN 43880
W. 17.5mm



Terminal Protection to IP20

FUNCTION DIAGRAM



INSTALLATION AND SETTING



Installation work must be carried out by qualified personnel.

- BEFORE INSTALLATION, ISOLATE THE SUPPLY.
- Connect the unit as shown in the diagram below.

To set the unit:

- Select the 'function' and 'time range' DIP switches (see below).
- Set the 'delay' adjustment as required.

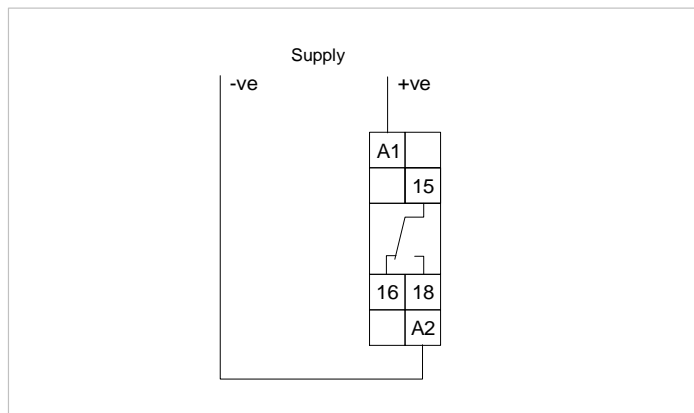


- Apply power and the unit will operate according to the function selected.

Troubleshooting.

- If the unit fails to operate as described, check the wiring is correct and the supply voltage is present .

CONNECTION DIAGRAM



TECHNICAL SPECIFICATION

Supply voltage U: 24 - 240V AC / DC (AC: 48 - 63Hz)
 Supply variation: 75 - 110% of U
 Power consumption: 3.5 VA @ 240V AC
 0.8W @ 24V DC

Functions: Delay On Operate, Interval (Single Shot),
 (user selectable) Symmetrical Off/On Recycling,
 Symmetrical On/Off Recycling

Time delay (t) *:

Range 1: 0.5 - 15, 2 - 60 seconds
 0.25 - 8, 2 - 60 minutes

Range 2: 5 - 150, 20 - 600 seconds
 2.5 - 80, 20 - 600 minutes

* Please specify range when ordering

Repeat accuracy: ± 0.5% @ constant conditions
 Reset time: ≈ 100mS

Ambient temp: -20 to +60°C
 Relative humidity: + 95%

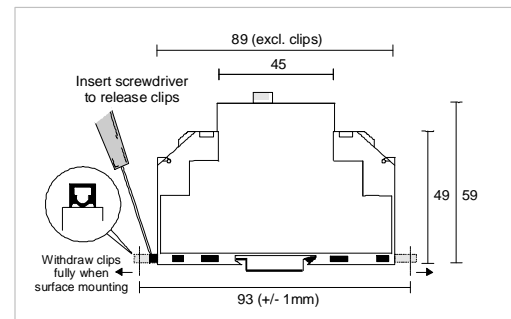
Output: SPDT relay
 Output rating: AC1 250V 8A (2000VA)
 AC15 250V 5A (no), 3A (nc)
 DC1 25V 8A (200W)

Housing: Orange flame retardant UL94 VO
 Weight: ≈ 68g
 Mounting option: On to 35mm symmetric DIN rail to BS5584:1978 (EN50 002, DIN 46277-3)
 Or direct surface mounting via 2 x M3.5 or 4BA screws using the black clips provided on the rear of the unit

Terminal conductor size: ≤ 2 x 2.5mm² solid or stranded

Approvals: Conforms to UL, CUL, CSA & IEC
 CE and Compliant

MOUNTING DETAILS



Broyce Control Ltd., Pool Street, Wolverhampton, West Midlands WV2 4HN. England

M1MFM-1-A

Telephone: +44 (0) 1902 773746 Facsimile: +44 (0) 1902 420639 Email: sales@broycecontrol.com Web: <http://www.broycecontrol.com>
 The information provided in this literature is believed to be accurate (subject to change without prior notice); however, use of such information shall be entirely at the user's own risk.