

Type: M1ARM

Asymmetrical Recycler - Selectable On or Off first

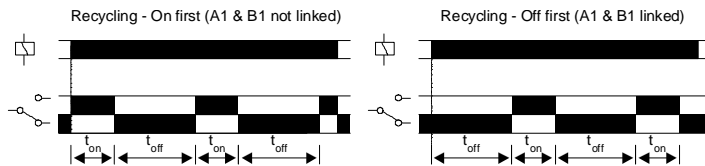
- 17.5mm DIN rail housing
- Asymmetrical Recycling Off/On or On/Off (selectable)
- Multi-voltage supply: 24 - 240V AC / DC
- Selectable time ranges for "On" and "Off" periods (up to 60mins)
- Separate adjustments for "On" and "Off" periods
- 1 x SPDT relay output 8A
- LED indication of supply and output relay status

Dims:
to DIN 43880
W. 17.5mm



Terminal Protection to IP20

FUNCTION DIAGRAM



INSTALLATION AND SETTING

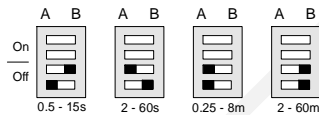


Installation work must be carried out by qualified personnel.

- BEFORE INSTALLATION, ISOLATE THE SUPPLY.
- Connect the unit as shown in the diagram below. (Fit external link if required).

To set the unit:

- Select the "time range" DIP switches for the "on period" and "off period" (see below).
- Set the "delay" adjustment as required. (Note the scale is marked as a % of the selected time range).



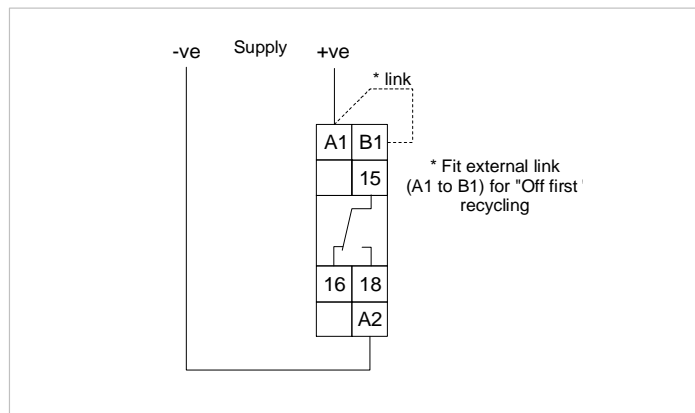
Switch positions shown above for the "Off period".
The same positions are used for the "On period" (top two switches).

- Apply power (green LED on). The unit will operate according to the function selected.
- During the "on period", the relay will be energised (red LED on, contacts 15/18 closed). During the "off period", the relay will be de-energised (red LED off, contacts 15/16 closed).

Troubleshooting.

- If the unit fails to operate, check the wiring is correct and the supply voltage is present and within the operating limits specified.

CONNECTION DIAGRAM



TECHNICAL SPECIFICATION

Supply voltage U: 24 - 240V AC / DC (AC: 48 - 63Hz)
Supply variation: 75 - 110% of U
Power consumption: ≈ 3VA @ 240V AC
0.8W @ 24V DC

Functions: Asymmetrical Recycling - Off first*
Asymmetrical Recycling - On first
(* selected when external link fitted)

Time delay ($t_{on/off}$): (selectable)
0.5 - 15, 2 - 60 seconds
0.25 - 8, 2 - 60 minutes

Repeat accuracy: ± 0.5% @ constant conditions
Reset time: ≈ 100mS

Ambient temp: -20 to +60°C
Relative humidity: +95%

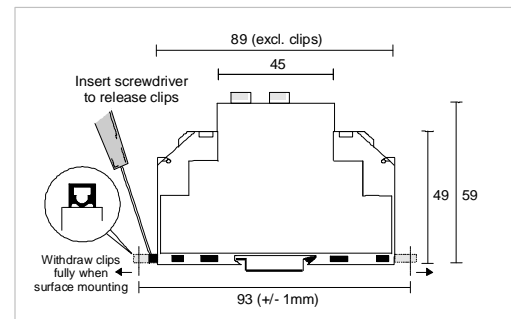
Output: SPDT relay
Output rating: AC1 250V 8A (2000VA)
AC15 250V 5A (no), 3A (nc)
DC1 25V 8A (200W)

Housing: Orange flame retardant UL94 VO
Weight: ≈ 68g
Mounting option: On to 35mm symmetric DIN rail to BS5584:1978 (EN50 002, DIN 46277-3)
Or direct surface mounting via 2 x M3.5 or 4BA screws using the black clips provided on the rear of the unit

Terminal conductor size: ≤ 2 x 2.5mm² solid or stranded

Approvals: Conforms to IEC, CE and Compliant.

MOUNTING DETAILS



Broyce Control Ltd., Pool Street, Wolverhampton, West Midlands WV2 4HN, England

M1ARM-1-A

Telephone: +44 (0) 1902 773746 Facsimile: +44 (0) 1902 420639 Email: sales@broycecontrol.com Web: <http://www.broycecontrol.com>
The information provided in this literature is believed to be accurate (subject to change without prior notice); however, use of such information shall be entirely at the user's own risk.