

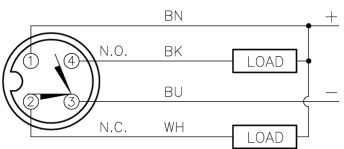
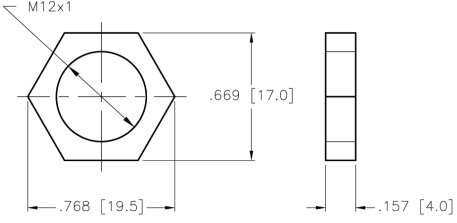
Inductive Sensors

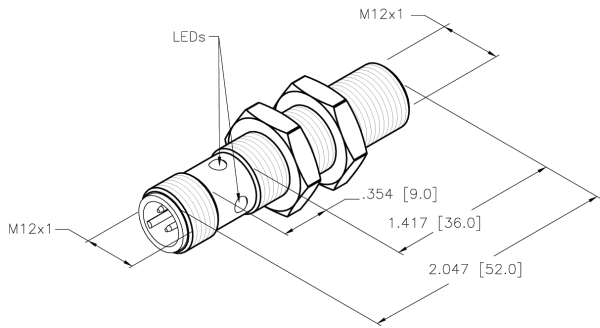


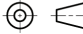

Housing Style	Part Number	ID Number	Features	Sensing Range (mm)	Output
12 mm - Embeddable, eurofast® Connection 	Bi 4-M12K-AN6X-H1141	T4607101	Short Barrel	4	3-Wire DC PNP
	Bi 4-M12K-AP6X-H1141	T4607082	Short Barrel	4	3-Wire DC PNP
	Bi 2-M12K-VP6X-H1141	M1633005	Short Barrel	2	4-Wire DC PNP
12 mm - Embeddable, eurofast Connection 	Bi 2-M12-AD4X-H1141	T4406500		2	2-Wire DC
	Bi 3-M12-AD4X-H1141	T4405041	Ext. Range	3	
	Bi 2-EM12-AN6X-H1141	T4606601		2	3-Wire DC NPN
	Bi 2-M12-AN6X-H1141	T4606600		2	
	Bi 3-EM12WD-AN6X-H1141	M1634334	Washdown	3	
	Bi 3-M12WD-AN6X-H1141	M4607120	Washdown	3	
	Bi 3U-EM12-AN6X-H1141	M1634350	Uprox	3	
	Bi 3U-M12-AN6X-H1141	M1634150	Uprox	3	
	Bi 3U-M12-AN6X2-H1141	M1634155	Uprox	3	
	Bi 4-M12-AN6X-H1141	T4607100	Extended Range	4	
	Bi 2-EM12-AP6X-H1141	T4606501		2	3-Wire DC PNP
	Bi 2-M12-AP6X-H1141	T4606500		2	
	Bi 3-EM12WD-AP6X-H1141	M1634331	Washdown	3	
	Bi 3-M12WD-AP6X-H1141	M4607121	Washdown	3	
	Bi 3U-EM12-AP6X-H1141	M1634340	Uprox	3	
	Bi 3U-EM12H-AP6X-H1141	M1634312	Uprox, Stoneface	3	
	Bi 3U-M12-AP6X-H1141	M1634140	Uprox	3	
	Bi 3U-M12-AP6X2-H1141	M1634145	Uprox	3	
	Bi 4-M12-AP6X-H1141	T4607000	Extended Range	4	
	Bi 2-M12-VN6X-H1141	T1643000	Comp. Outputs	2	4-Wire DC NPN
	Bi 4-M12-VN6X-H1141	T1643200	Ext. Range, Comp. Outputs	4	
	Bi 2-M12-VP6X-H1141	T1633000	Comp. Outputs	2	4-Wire DC PNP
	Bi 4-M12-VP6X-H1141	T1633200	Ext. Range, Comp. Outputs	4	
Bi 4-EM12-VP6X-H1141	T1633201	Ext. Range, Comp. Outputs	4		
Bi 2-EM12-Y0X-H1141	T4010098		2	2-Wire DC NAMUR	
Bi 2-M12-Y1X-H1141	M4010200		2		

Voltage	Switching Freq. (Hz)	Operating Current (mA)	Operating Temp. (°C)	Protection	Housing	Face	Power LED	Output LED	Mating Cordset	Wiring Diagram #	Wiring Diagrams
10-30 VDC	2000	≤200	-25 to +70	IP 67	CPB	PA 12	N/A	YE	RK 4T-*	2	Diagram 1
10-30 VDC	2000	≤200	-25 to +70	IP 67	CPB	PA 12	N/A	YE	RK 4T-*	3	
10-30 VDC	2000	≤200	-25 to +70	IP 67	CPB	PA 12	N/A	YE	RK 4.4T-*	5	Diagram 2
10-30 VDC	2000	≤200	-25 to +70	IP 67	CPB	PA 12	N/A	YE	RK 4.4T-*	5	
10-65 VDC	1000	≤100	-25 to +70	IP 67	CPB	PA 12	N/A	YE	RK 4.2T-*	1	Diagram 3
	1000	≤100	-25 to +70	IP 67	CPB	PA 12	N/A	YE	RK 4.2T-*	1	
10-30 VDC	2000	≤200	-25 to +70	IP 67	SS	PA 12	N/A	YE	RKV 4T-*	2	Diagram 4
	2000	≤200	-25 to +70	IP 67	CPB	PA 12	N/A	YE	RK 4T-*	2	
	2000	≤200	-25 to +85	IP 68, 69K	SS	PVDF	N/A	YE	RK 4T-*	2	
	3000	≤200	-25 to +85	IP 68, 69K	SS	PVDF	N/A	YE	RK 4T-*	2	
	3000	≤200	-30 to +85	IP 68	SS	PA 12	N/A	YE	RKV 4T-*	2	
	3000	≤200	-30 to +85	IP 67	CPB	PA 12	N/A	YE	RK 4T-*	2	
	3000	≤200	-30 to +85	IP 67	CPB	PA 12	GN	YE	RK 4T-*	2	
	2000	≤200	-25 to +70	IP 67	CPB	PA 12	N/A	YE	RK 4T-*	2	
10-30 VDC	2000	≤200	-25 to +70	IP 67	SS	PA 12	N/A	YE	RKV 4T-*	3	Diagram 5
	2000	≤200	-25 to +70	IP 67	CPB	PA 12	N/A	YE	RK 4T-*	3	
	2000	≤200	-25 to +85	IP 68, 69K	SS	PVDF	N/A	YE	RK 4T-*	3	
	3000	≤200	-25 to +85	IP 68, 69K	SS	PVDF	N/A	YE	RK 4T-*	3	
	3000	≤200	-30 to +85	IP 68	SS	PA 12	N/A	YE	RKV 4T-*	3	
	3000	≤200	-30 to +85	IP 68	SS	SF	N/A	YE	RKG 4T-*/S600	3	
	3000	≤200	-30 to +85	IP 67	CPB	PA 12	N/A	YE	RK 4T-*	3	
	2000	≤200	-30 to +85	IP 67	CPB	PA 12	N/A	YE	RK 4T-*	3	
10-30 VDC	2000	≤200	-25 to +70	IP 67	CPB	PA 12	N/A	YE	RK 4.4T-*	4	Diagram 6
	2000	≤200	-25 to +70	IP 67	CPB	PA 12	N/A	YE	RK 4.4T-*	4	
10-30 VDC	2000	≤200	-25 to +70	IP 67	CPB	PA 12	N/A	YE	RK 4.4T-*	5	
	2000	≤200	-25 to +70	IP 67	CPB	PA 12	N/A	YE	RK 4.4T-*	5	
	2000	≤200	-25 to +70	IP 67	SS	PA 12	N/A	YE	RKV 4.4T-*	5	
5-30 VDC	5000	Remote	-25 to +70	IP 67	SS	PA 12	N/A	YE	RKV 4.21T-*	6	
	5000	Remote	-25 to +70	IP 67	CPB	PA 12	N/A	YE	RK 4.21T-*	6	

* Length in meters.

WIRING DIAGRAM	LOCKNUT LN-M12	SPECIFICATIONS																																																			
 <p>OUTPUT: VN6X</p>		<table border="1"> <tr><td>RATED OPERATING DISTANCE</td><td>4 mm [.158]</td></tr> <tr><td>MOUNTING MODE</td><td>FLUSH</td></tr> <tr><td>TEMPERATURE DRIFT</td><td>±10%</td></tr> <tr><td>HYSTERESIS (SWITCHING DISTANCE)</td><td>3-15%</td></tr> <tr><td>MIN. REPEAT ACCURACY</td><td>±2%</td></tr> <tr><td>OPERATING TEMPERATURE</td><td>-25°C to +70°C (-13°F to +158°F)</td></tr> <tr><td>RATED OPERATIONAL VOLTAGE</td><td>10-30 VDC</td></tr> <tr><td>MAX. RIPPLE</td><td>≤10%</td></tr> <tr><td>RATED OPERATIONAL CURRENT</td><td>≤200 mA</td></tr> </table>	RATED OPERATING DISTANCE	4 mm [.158]	MOUNTING MODE	FLUSH	TEMPERATURE DRIFT	±10%	HYSTERESIS (SWITCHING DISTANCE)	3-15%	MIN. REPEAT ACCURACY	±2%	OPERATING TEMPERATURE	-25°C to +70°C (-13°F to +158°F)	RATED OPERATIONAL VOLTAGE	10-30 VDC	MAX. RIPPLE	≤10%	RATED OPERATIONAL CURRENT	≤200 mA	<table border="1"> <tr><td>NO-LOAD CURRENT</td><td>≤15 mA</td></tr> <tr><td>MAX. OFF-STATE CURRENT</td><td>≤0.1 mA</td></tr> <tr><td>RATED INSULATION VOLTAGE</td><td>≤0.5 kV</td></tr> <tr><td>SHORT-CIRCUIT PROTECTED</td><td>YES</td></tr> <tr><td>MAX. VOLTAGE DROP</td><td>≤1.8 V</td></tr> <tr><td>WIRE-BREAK PROTECTION</td><td>INCORPORATED</td></tr> <tr><td>REVERSE POLARITY PROTECTION</td><td>INCORPORATED</td></tr> <tr><td>OUTPUT FUNCTION</td><td>4-WIRE, COMPLIMENTARY, NPN</td></tr> <tr><td>MAX. SWITCHING FREQUENCY</td><td>≤2 kHz</td></tr> <tr><td>HOUSING MATERIAL</td><td>BRASS, CHROME PLATED</td></tr> <tr><td>ACTIVE FACE</td><td>PLASTIC, PA12-GF30</td></tr> <tr><td>CONNECTOR</td><td>M12x1 EUROFAST</td></tr> <tr><td>VIBRATION RESISTANCE</td><td>55 Hz (IN ALL 3 PLANES)</td></tr> <tr><td>SHOCK RESISTANCE</td><td>30 g, 11 ms</td></tr> <tr><td>DEGREE OF PROTECTION</td><td>IP 67</td></tr> <tr><td>SWITCHING STATUS INDICATION</td><td>LED, YELLOW</td></tr> </table>	NO-LOAD CURRENT	≤15 mA	MAX. OFF-STATE CURRENT	≤0.1 mA	RATED INSULATION VOLTAGE	≤0.5 kV	SHORT-CIRCUIT PROTECTED	YES	MAX. VOLTAGE DROP	≤1.8 V	WIRE-BREAK PROTECTION	INCORPORATED	REVERSE POLARITY PROTECTION	INCORPORATED	OUTPUT FUNCTION	4-WIRE, COMPLIMENTARY, NPN	MAX. SWITCHING FREQUENCY	≤2 kHz	HOUSING MATERIAL	BRASS, CHROME PLATED	ACTIVE FACE	PLASTIC, PA12-GF30	CONNECTOR	M12x1 EUROFAST	VIBRATION RESISTANCE	55 Hz (IN ALL 3 PLANES)	SHOCK RESISTANCE	30 g, 11 ms	DEGREE OF PROTECTION	IP 67	SWITCHING STATUS INDICATION	LED, YELLOW
RATED OPERATING DISTANCE	4 mm [.158]																																																				
MOUNTING MODE	FLUSH																																																				
TEMPERATURE DRIFT	±10%																																																				
HYSTERESIS (SWITCHING DISTANCE)	3-15%																																																				
MIN. REPEAT ACCURACY	±2%																																																				
OPERATING TEMPERATURE	-25°C to +70°C (-13°F to +158°F)																																																				
RATED OPERATIONAL VOLTAGE	10-30 VDC																																																				
MAX. RIPPLE	≤10%																																																				
RATED OPERATIONAL CURRENT	≤200 mA																																																				
NO-LOAD CURRENT	≤15 mA																																																				
MAX. OFF-STATE CURRENT	≤0.1 mA																																																				
RATED INSULATION VOLTAGE	≤0.5 kV																																																				
SHORT-CIRCUIT PROTECTED	YES																																																				
MAX. VOLTAGE DROP	≤1.8 V																																																				
WIRE-BREAK PROTECTION	INCORPORATED																																																				
REVERSE POLARITY PROTECTION	INCORPORATED																																																				
OUTPUT FUNCTION	4-WIRE, COMPLIMENTARY, NPN																																																				
MAX. SWITCHING FREQUENCY	≤2 kHz																																																				
HOUSING MATERIAL	BRASS, CHROME PLATED																																																				
ACTIVE FACE	PLASTIC, PA12-GF30																																																				
CONNECTOR	M12x1 EUROFAST																																																				
VIBRATION RESISTANCE	55 Hz (IN ALL 3 PLANES)																																																				
SHOCK RESISTANCE	30 g, 11 ms																																																				
DEGREE OF PROTECTION	IP 67																																																				
SWITCHING STATUS INDICATION	LED, YELLOW																																																				



RELATED DOCUMENTS 1. 2. 3. 4.	3RD ANGLE PROJECTION 	THIS DRAWING IS PROPERTY OF TURCK INC. USE OF THIS DOCUMENT WITHOUT WRITTEN PERMISSION IS PROHIBITED.		 High Technology Sensors and Automation Controls	
MATERIAL	TOLERANCES UNLESS OTHERWISE SPECIFIED	DRFT RDS	DATE 09/21/04	DESCRIPTION BI 4-M12-VN6X-H1141	
FINISH	±0.0394 in [±1.00 mm]	DGSN	SCALE 1=1.0	IDENTIFICATION NO.	
A DRAWING RELEASE RDS 09/22/04 REV DESCRIPTION BY DATE ECO NO.		UNIT OF MEASUREMENT INCH [MILLIMETER] DO NOT SCALE THIS DRAWING		T1643200	REV A
				FILE: T1643200	SHEET 1 OF 1