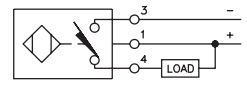
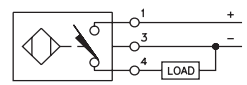
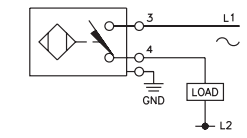
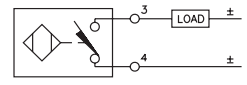
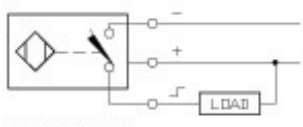
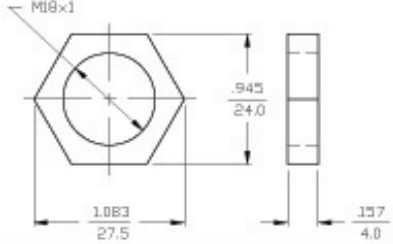
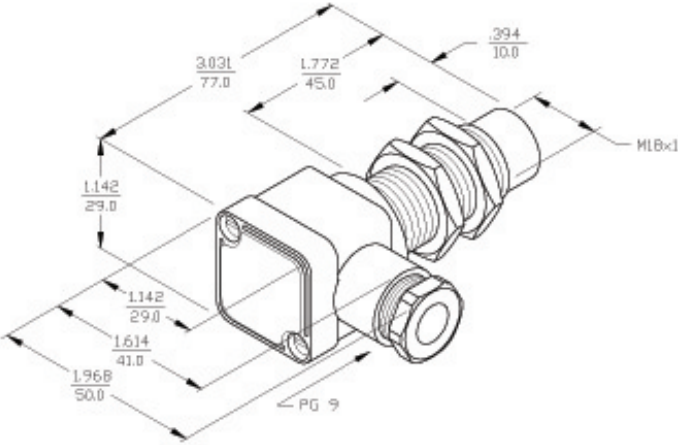
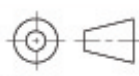
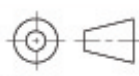
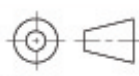


Inductive Sensors



Housing Style	Part Number	ID Number	Features	Sensing Range (mm)	Output
18 mm - Embeddable, Terminal Chamber 	Bi 5U-EG18SK-AN6X	M1635420	<i>Uprox</i>	5	3-Wire DC NPN
	Bi 5-G18SK-AN6X2	T4642500		5	
	Bi 5U-EG18SK-AP6X	M1635400	<i>Uprox</i>	5	3-Wire DC PNP
	Bi 5-G18SK-AP6X2	T4642400		5	
18 mm - Embeddable, Terminal Chamber 	Bi 5-G18SK-AZ3X2	T4331400		5	2-Wire AC/DC
18 mm - Nonembeddable, Terminal Chamber 	Ni 8-G18SK-AD4X	T4442200		8	2-Wire DC
	Ni 10-G18SK-AN6X2	T4642700		10	3-Wire DC NPN
	Ni 12U-EG18SK-AN6X	M1645420	<i>Uprox</i>	12	
	Ni 10-G18SK-AP6X2	T4642600		10	3-Wire DC PNP
Ni 12U-EG18SK-AP6X	M1645400	<i>Uprox</i>	12		
18 mm - Nonembeddable, Terminal Chamber 	Ni 10-G18SK-AZ3X2	T4331500		10	2-Wire AC/DC

Output	Switching Freq. (Hz)	Operating Current (mA) VAC/VDC	Operating Temp. (°C)	Protection	Housing	Face	End Cap	Power LED	Output LED	Cable Length/ Cable /Mat.	Wiring Diagram	Wiring Diagrams
10-30 VDC	2500	≤200	-30 to +85	IP 67	SS	PA 12	N/A	N/A	YE	- - - -	1	Diagram 1 
	1000	≤200	-25 to +70	IP 67	CPB	PA 12	N/A	GN	YE	- - - -	1	
10-30 VDC	2500	≤200	-30 to +85	IP 68	SS	PA 12	N/A	N/A	YE	- - - -	2	Diagram 2 
	1000	≤200	-25 to +70	IP 67	CPB	PA 12	N/A	GN	YE	- - - -	2	
20-250 VAC 10-300 VDC	20	≤500	-25 to +70	IP 67	CPB	PA 12	N/A	GN	RD	- - - -	3	Diagram 3 
10-65 VDC	1000	≤100	-25 to +70	IP 67	CPB	PA 12	N/A	N/A	YE	- - - -	4	Diagram 4 
10-30 VDC	1000	≤200	-25 to +70	IP 67	CPB	PA 12	N/A	GN	YE	- - - -	1	
	2000	≤200	-25 to +70	IP 67	SS	PA 12	N/A	N/A	YE	- - - -	1	
10-30 VDC	1000	≤200	-25 to +70	IP 67	CPB	PA 12	N/A	GN	YE	- - - -	2	
	2000	≤200	-25 to +70	IP 67	SS	PA 12	N/A	N/A	YE	- - - -	2	
20-250 VAC 10-300 VDC	20	≤400/300	-25 to +70	IP 67	CPB	PA 12	N/A	GN	RD	- - - -	3	

WIRING DIAGRAMS	LOCKNUT LN-M18	SPECIFICATIONS																																																			
 <p>OUTPUT: AN6X2</p> <p>SHORT-CIRCUIT AND OVERLOAD PROTECTED</p>		<table border="1"> <tr><td>OPERATING VOLTAGE</td><td>10-30 VDC</td></tr> <tr><td>RIPPLE</td><td>≤10%</td></tr> <tr><td>DIFFERENTIAL TRAVEL (HYSTERESIS)</td><td>3-15% (5% TYPICAL)</td></tr> <tr><td>VOLTAGE IRDP ACROSS CONDUCTING SENSOR</td><td>≤1.8 V at 200 mA</td></tr> <tr><td>OUTPUT FUNCTION</td><td>NORMALLY OPEN 3-WIRE DC SELF-CONTAINED</td></tr> <tr><td>TTL COMPATIBLE</td><td>NO</td></tr> <tr><td>SHORT-CIRCUIT PROTECTED</td><td>YES</td></tr> <tr><td>TRIGGER CURRENT FOR OVERLOAD PROTECTION</td><td>≥220 mA</td></tr> <tr><td>CONTINUOUS LOAD CURRENT</td><td>≤200 mA</td></tr> <tr><td>LEAKAGE (OFF-STATE) CURRENT</td><td><10 μA</td></tr> <tr><td>NO-LOAD CURRENT</td><td>5.5-9.5 mA</td></tr> <tr><td>TIME DELAY BEFORE AVAILABILITY</td><td>≤8 ms</td></tr> <tr><td>POWER-ON EFFECT PROTECTION</td><td>INCORPORATED</td></tr> <tr><td>REVERSE POLARITY PROTECTION</td><td>INCORPORATED</td></tr> <tr><td>WIRE-BREAK PROTECTION</td><td>INCORPORATED</td></tr> <tr><td>PROTECTION AGAINST TRANSIENTS</td><td>≥ kV, 1 ns, 1 kΩ</td></tr> <tr><td>OPERATING TEMPERATURE</td><td>-25°C to +70°C (-13°F to +158°F)</td></tr> <tr><td>ENCLOSURE</td><td>MEETS NEMA L 3, 4, 6, 13 AND IEC IP67</td></tr> <tr><td>SHOCK</td><td>30 g, 11 ms</td></tr> <tr><td>VIBRATION</td><td>55 Hz, 1 mm AMPLITUDE (ON ALL 3 PLANES)</td></tr> <tr><td>LED FUNCTION</td><td>GREEN POWER ON RED OUTPUT ENERGIZED</td></tr> <tr><td>SENSING RANGE</td><td>10 mm = .394" (NOMINAL)</td></tr> <tr><td>SWITCHING FREQUENCY</td><td>1000 Hz</td></tr> <tr><td>REPEATABILITY</td><td>≤2% of NOMINAL SENSING RANGE</td></tr> <tr><td>SHIELDED</td><td>NO</td></tr> </table>		OPERATING VOLTAGE	10-30 VDC	RIPPLE	≤10%	DIFFERENTIAL TRAVEL (HYSTERESIS)	3-15% (5% TYPICAL)	VOLTAGE IRDP ACROSS CONDUCTING SENSOR	≤1.8 V at 200 mA	OUTPUT FUNCTION	NORMALLY OPEN 3-WIRE DC SELF-CONTAINED	TTL COMPATIBLE	NO	SHORT-CIRCUIT PROTECTED	YES	TRIGGER CURRENT FOR OVERLOAD PROTECTION	≥220 mA	CONTINUOUS LOAD CURRENT	≤200 mA	LEAKAGE (OFF-STATE) CURRENT	<10 μA	NO-LOAD CURRENT	5.5-9.5 mA	TIME DELAY BEFORE AVAILABILITY	≤8 ms	POWER-ON EFFECT PROTECTION	INCORPORATED	REVERSE POLARITY PROTECTION	INCORPORATED	WIRE-BREAK PROTECTION	INCORPORATED	PROTECTION AGAINST TRANSIENTS	≥ kV, 1 ns, 1 kΩ	OPERATING TEMPERATURE	-25°C to +70°C (-13°F to +158°F)	ENCLOSURE	MEETS NEMA L 3, 4, 6, 13 AND IEC IP67	SHOCK	30 g, 11 ms	VIBRATION	55 Hz, 1 mm AMPLITUDE (ON ALL 3 PLANES)	LED FUNCTION	GREEN POWER ON RED OUTPUT ENERGIZED	SENSING RANGE	10 mm = .394" (NOMINAL)	SWITCHING FREQUENCY	1000 Hz	REPEATABILITY	≤2% of NOMINAL SENSING RANGE	SHIELDED	NO
OPERATING VOLTAGE	10-30 VDC																																																				
RIPPLE	≤10%																																																				
DIFFERENTIAL TRAVEL (HYSTERESIS)	3-15% (5% TYPICAL)																																																				
VOLTAGE IRDP ACROSS CONDUCTING SENSOR	≤1.8 V at 200 mA																																																				
OUTPUT FUNCTION	NORMALLY OPEN 3-WIRE DC SELF-CONTAINED																																																				
TTL COMPATIBLE	NO																																																				
SHORT-CIRCUIT PROTECTED	YES																																																				
TRIGGER CURRENT FOR OVERLOAD PROTECTION	≥220 mA																																																				
CONTINUOUS LOAD CURRENT	≤200 mA																																																				
LEAKAGE (OFF-STATE) CURRENT	<10 μA																																																				
NO-LOAD CURRENT	5.5-9.5 mA																																																				
TIME DELAY BEFORE AVAILABILITY	≤8 ms																																																				
POWER-ON EFFECT PROTECTION	INCORPORATED																																																				
REVERSE POLARITY PROTECTION	INCORPORATED																																																				
WIRE-BREAK PROTECTION	INCORPORATED																																																				
PROTECTION AGAINST TRANSIENTS	≥ kV, 1 ns, 1 kΩ																																																				
OPERATING TEMPERATURE	-25°C to +70°C (-13°F to +158°F)																																																				
ENCLOSURE	MEETS NEMA L 3, 4, 6, 13 AND IEC IP67																																																				
SHOCK	30 g, 11 ms																																																				
VIBRATION	55 Hz, 1 mm AMPLITUDE (ON ALL 3 PLANES)																																																				
LED FUNCTION	GREEN POWER ON RED OUTPUT ENERGIZED																																																				
SENSING RANGE	10 mm = .394" (NOMINAL)																																																				
SWITCHING FREQUENCY	1000 Hz																																																				
REPEATABILITY	≤2% of NOMINAL SENSING RANGE																																																				
SHIELDED	NO																																																				
		<table border="1"> <tr> <td colspan="2">MATERIAL BRASS BARREL</td> <td colspan="2">3RD ANGLE PROJECTION </td> <td colspan="2" rowspan="2">TUBOK INC</td> </tr> <tr> <td colspan="2">FINISH COPPER/NICKEL CHROME PLATING</td> <td colspan="2"></td> </tr> <tr> <td>DRWN GMB</td> <td>DATE 5/6/88</td> <td colspan="2">PART NO. N110-G18SK-AN6X2</td> <td colspan="2"></td> </tr> <tr> <td>DWG DATE</td> <td></td> <td colspan="2">SIZE B</td> <td>ID NO. 4642700</td> <td>REV A</td> </tr> <tr> <td colspan="2">DIMENSIONS ARE IN INCHES</td> <td colspan="2">SCALE NONE</td> <td colspan="2">BMT-C-D\4642700 SHEET OF</td> </tr> </table>		MATERIAL BRASS BARREL		3RD ANGLE PROJECTION 		TUBOK INC		FINISH COPPER/NICKEL CHROME PLATING				DRWN GMB	DATE 5/6/88	PART NO. N110-G18SK-AN6X2				DWG DATE		SIZE B		ID NO. 4642700	REV A	DIMENSIONS ARE IN INCHES		SCALE NONE		BMT-C-D\4642700 SHEET OF																							
MATERIAL BRASS BARREL		3RD ANGLE PROJECTION 		TUBOK INC																																																	
FINISH COPPER/NICKEL CHROME PLATING																																																					
DRWN GMB	DATE 5/6/88	PART NO. N110-G18SK-AN6X2																																																			
DWG DATE		SIZE B		ID NO. 4642700	REV A																																																
DIMENSIONS ARE IN INCHES		SCALE NONE		BMT-C-D\4642700 SHEET OF																																																	
<table border="1"> <tr> <td>A</td> <td>SEE REVISION DOCUMENT NGL8SK</td> <td>SWC</td> <td>9/10/93</td> <td></td> </tr> <tr> <td>REV</td> <td>DESCRIPTION</td> <td>DRFT</td> <td>DATE</td> <td>CHKD</td> </tr> <tr> <td colspan="5" style="text-align: center;">REVISIONS</td> </tr> </table>		A	SEE REVISION DOCUMENT NGL8SK	SWC	9/10/93		REV	DESCRIPTION	DRFT	DATE	CHKD	REVISIONS																																									
A	SEE REVISION DOCUMENT NGL8SK	SWC	9/10/93																																																		
REV	DESCRIPTION	DRFT	DATE	CHKD																																																	
REVISIONS																																																					