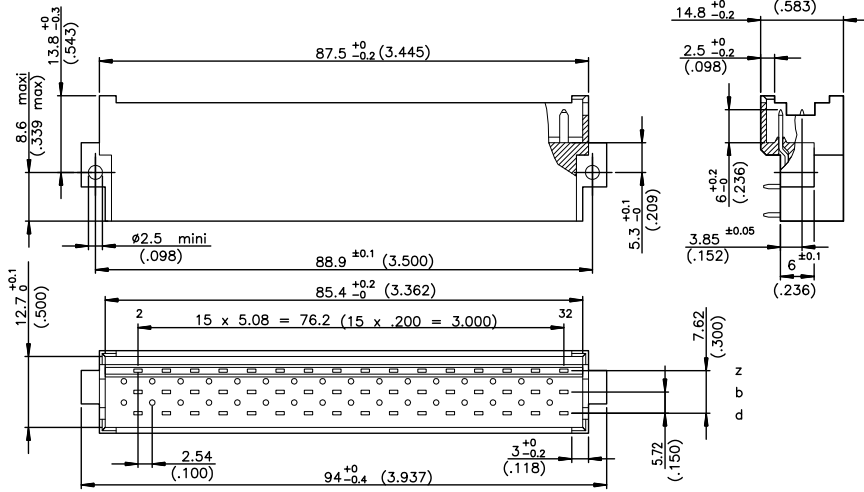




Copyright FCI

DIMENSIONS mm (inches)



ELECTRICAL DATA

- Current at AMB: 5.5 A at 20° / 4 A at 70°
- Contact resistance: ?15m? according to DIN 41640 Teil 4 test 2a
- Insulation resistance: ?10? M? according to DIN 41640 teil 7 test 3a
- TEST VOLTAGE: according to DIN 41640 Teil 21
- contact/contact: 1550V eff
- contact/ground: 2500V eff

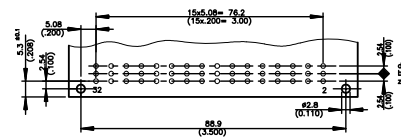
MECHANICAL DATA

- Insertion force: 775N
- Mechanical endurance -class 1: 500 matings unmatings according to DIN41640 teil 21
- class 2: 400 matings unmatings according to DIN41640 teil 21
- Material insulator: Polyester UL94V0
- Material contacts: Copper alloy
- Finishing contact surface: Gold over nickel Lead Free
- Finishing termination: Lead-Free
- Solder: 330mF according to DIN 41640 Teil 14 test 6c
- Vibration -class 1: 10-2000Hz/20g according to DIN 41640 Teil 15
- class 2: 10-500Hz/5g according to DIN 41640 Teil 15

ENVIRONMENTAL DATA

- Climatic category: According to DIN 41612
- Corrosion: According to DIN 41612

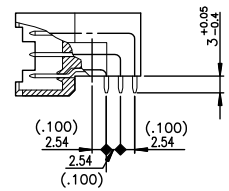
P.C. CARD DRILLING (scale 1.2)



NOTE RoHS INFORMATION

- The "LF" products meet European Union Directives and other country regulations as described in GS-22-008.
- The housing will withstand exposure to 260°C peak temperature for 3.5 seconds in a wave solder application with a 1.5mm minimum thick circuit board.
- For the right angled versions, it's recommended to use high temperature adhesive or metallic device, to protect the nearest plastic part in contact with of the solder wave, to avoid any visual plastic deterioration.

TERMINATION



PART NUMBER	5159009	LF
NUMBER OF CONTACTS	32 or 48	
TERMINATION	angled spalls	
	right angled press-fit	
PERFORMANCE CLASS	DIN 41612 class 2	
	DIN 41612 class 1	
CONTACT ARRANGEMENT	Row 2 and d with contacts (48)	111
	Row 2 and d with contacts (32)	101
	Row 2 and b with contacts (32)	110
LEAD-FREE		

rev	ecn no	dr	date
C	LS05-0118	ETI	2005/12/13
D	LS06-0022	LGO	2006/02/21
E	LS06-0095	LGO	2006/06/26
F	LS07-0288	LGO	2007/11/19
G	F10-0214	APA	2010/10/01
-	-	-	-
-	-	-	-

www.fciconnect.com		surface	ISO 1302	tolerance std	ISO 406 ISO 110	projection	mm
		TOLERANCES UNLESS OTHERWISE SPECIFIED				size	A3
Dr	PESSON	2006/02/21	ANGULAR	0.X	±0.1	ECN	F10-0214
Eng	PESSON	2006/02/21	LINEAR	0.XX	±0.1	Spec ref	-
Chr	LEGARE	2006/02/21	0.XX ±2	0.XXX	±0.1	Rev.	G
Appr	LEGARE	2006/02/21	Product family	DIN POWER		customer	sheet 1 of 1
Title		PLUGS MEDIUM POWER		drawing no		C01-5159-0037	
3 ROW STYLE F		catalog no					

REV F - 2008-04-17