

# 3M™ Eurosocket

Type C (Rows A & C, A & B or A, B & C Filled)

62CXX Series



- DIN 41612 compatible
- High density (64 & 96 position)
- Mates with DIN 41612 Type C headers
- High reliability contact design
- Can be daisy-chained or end terminated to flat cable
- Optional strain relief with handle
- Individual connector coding with 3435-1 keying plug
- RoHS\* compliant

Date Modified: March 11, 2005

TS-0813-05  
Sheet 1 of 4

---

## Physical

### Insulation

Material: Glass Filled Polyester (PBT)

Flammability: UL 94V-0

Color: Gray

### Contact

Material: Copper Alloy

### Plating:

Underplating: 50 μ" [ 1.27 μm ] Nickel - QQ-N-290, Class 2

Wiping Area: See Ordering Information for specific plating—MIL-G-45204, Type II, Grade C  
(For additional plating options see Ordering Information)

Wire Accommodation: 2 row version (A, B or A, C): Stranded or Solid: 26 & 28 AWG; Solid: 30 AWG  
3 row version (A, B, C): Stranded or Solid: 30 AWG

Marking: 3M Logo, Part Identification, and Contact Position Numbers

---

## Electrical

Current Rating: 1 A

Insulation Resistance:  $> 1 \times 10^9 \Omega$  at 500 VDC

Withstanding Voltage: 1000 Vrms at Sea Level

---

## Environmental

Temperature Rating: -55°C to +125°C

UL File No.: E68080

\*RoHS = Directive 2002/95/EC,  
Restriction of the Use of Certain Hazardous Substances in Electrical and Electronic Equipment

---

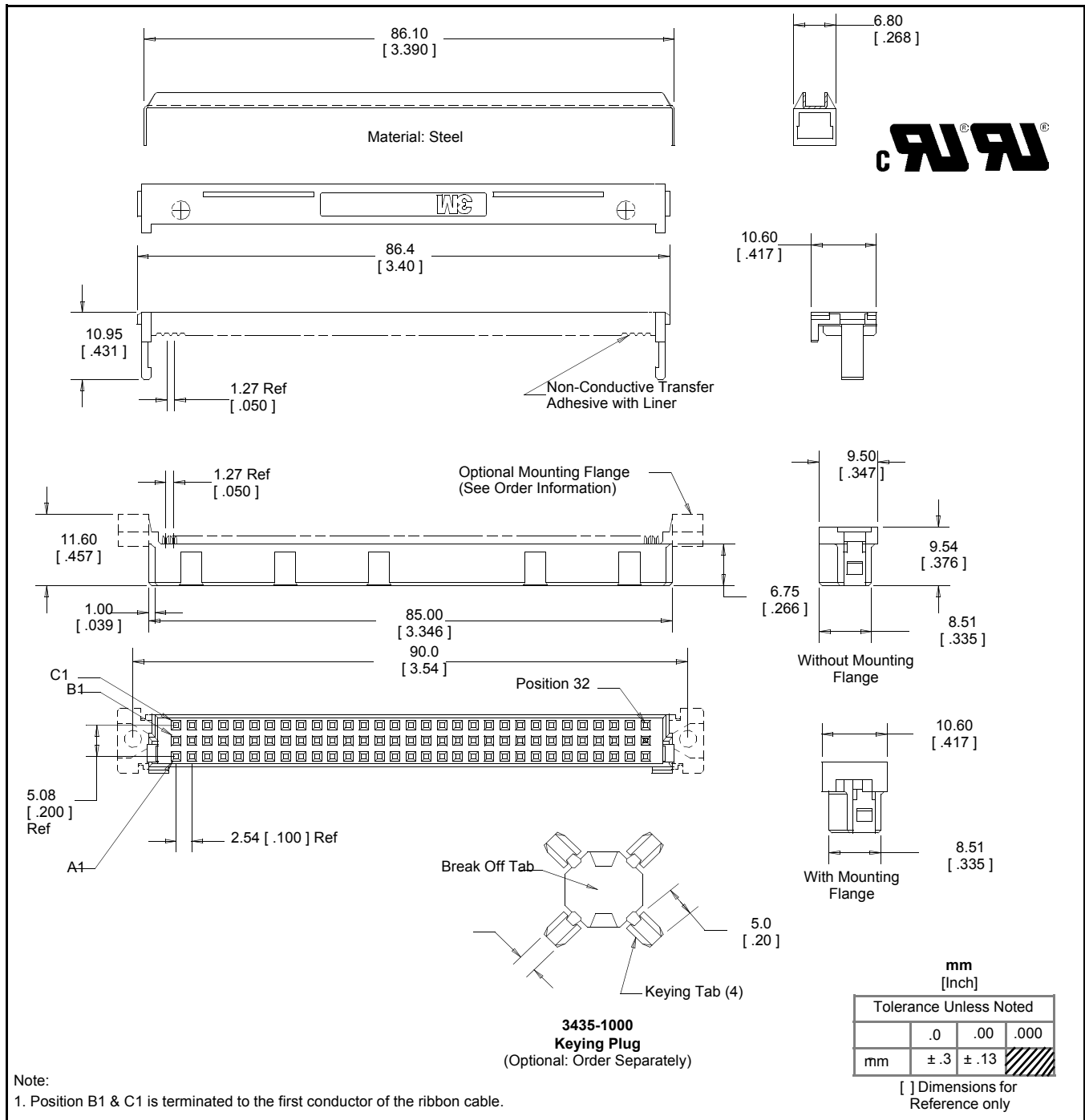
**3M**  
Interconnect Solutions  
<http://www.3M.com/interconnects/>

3M is a trademark of 3M Company.  
For technical, sales or ordering information call  
**800-225-5373**

# 3M™ Eurosocket

Type C (Rows A & C, A & B or A, B & C Filled)

62CXX Series



## Ordering Information

**Socket**  
**62C64-1X0XXX**

**Strain Relief**  
(Order Separately)  
**3448-6201**

For-1X00XX  
(no mtg flange)  
version only

Row of Contacts:  
0 = A and B  
1 = A and C

Mounting Flange Style:  
0 = without  
1 = with

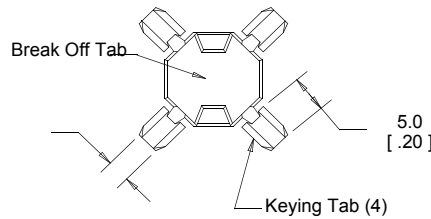
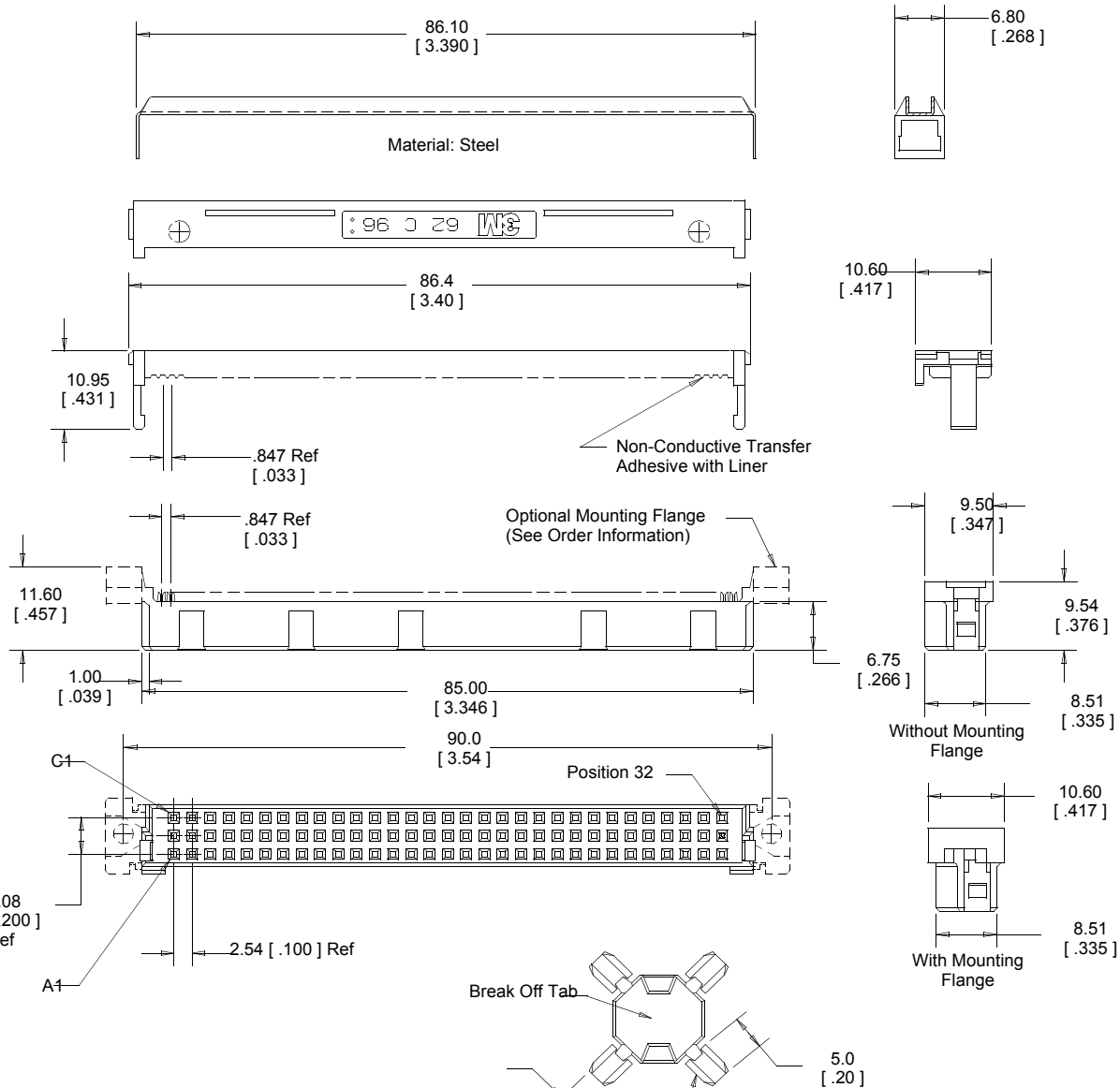
Optional Plating:  
ED = 50 μ" [ 1.27 μ m ]  
EC = 30 μ" [ 0.76 μ m ]  
EF = 20 μ" [ 0.50 μ m ]  
EJ = 5 μ" [ 0.13 μ m ]

TS-0813-05  
Sheet 2 of 4

# 3M™ Eurosocket

Type C (Rows A & C, A & B or A, B & C Filled)

62CXX Series



**3435-1000 Keying Plug**  
(Optional: Order Separately)

mm [Inch]			
Tolerance Unless Noted			
	.0	.00	.000
mm	± .3	± .13	

[ ] Dimensions for Reference only

Note:

- Position C1 is terminated to the first conductor of the ribbon cable.

## Ordering Information

**Socket**  
**62C96-120XXX**

Mounting Style:  
0 = without Mounting Flange  
1 = with Mounting Flange

**Strain Relief**  
(Order Separately)  
**3448-6201**

Optional Plating:  
ED = 50 μ" [ 1.27 μ m ]  
EC = 30 μ" [ 0.76 μ m ]  
EF = 20 μ" [ 0.50 μ m ]  
EJ = 5 μ" [ 0.13 μ m ]

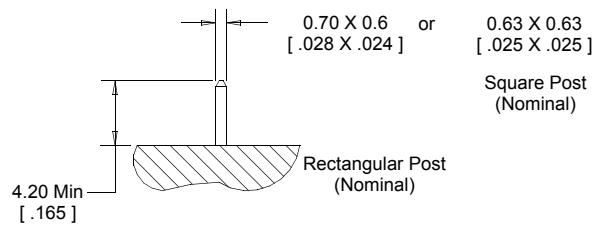
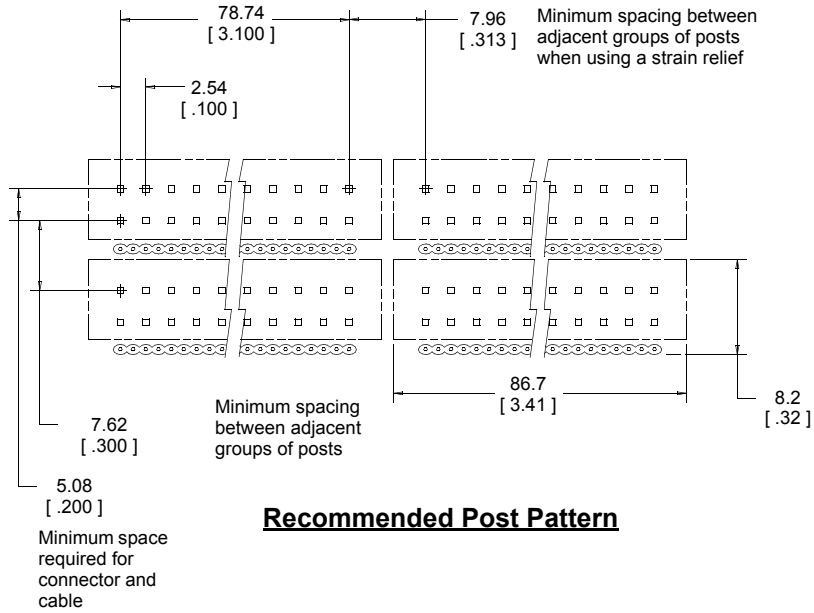
**For-1200XX**  
(no mtg flange)  
version only

TS-0813-05  
Sheet 3 of 4

# 3M™ Eurosocket

Type C (Rows A & C, A & B or A, B & C Filled)

62CXX Series



mm [Inch]		
Tolerance Unless Noted		
	.0	.00
	.000	
mm	± .3	± .13

[ ] Dimensions for Reference only

Note:  
1. Ends of posts to be located within 0.25 [ .01 ] TPD at post end.

TS-0813-05  
Sheet 4 of 4

## Important Notice

All statements, technical information, and recommendations related to 3M's products are based on information believed to be reliable, but the accuracy or completeness is not guaranteed. Before using this product, you must evaluate it and determine if it is suitable for your intended application. You assume all risks and liability associated with such use. Any statements related to the product which are not contained in 3M's current publications, or any contrary statements contained on your purchase order shall have no force or effect unless expressly agreed upon, in writing, by an authorized officer of 3M.

## Warranty; Limited Remedy; Limited Liability.

This product will be free from defects in material and manufacture for a period of 1 year from the time of purchase. **3M MAKES NO OTHER WARRANTIES INCLUDING, BUT NOT LIMITED TO, ANY IMPLIED WARRANTY OF MERCHANTABILITY OR FITNESS FOR A PARTICULAR PURPOSE.** If this product is defective within the warranty period stated above, your exclusive remedy shall be, at 3M's option, to replace or repair the 3M product or refund the purchase price of the 3M product. **Except where prohibited by law, 3M will not be liable for any indirect, special, incidental or consequential loss or damage arising from this 3M product, regardless of the legal theory asserted.**

# 3M

## Electronic Solutions Division

6801 River Place Blvd.  
Austin, TX 78726-9000  
[www.3M.com/esd](http://www.3M.com/esd)



Minimum 10%  
Post-consumer Fiber

Printed in USA.

© 3M 2005