

D-Sub – Housing range for subminiature D connectors

Page

General information – hoods for screw locking **07.02**

Thermoplastic top and side entry hoods with knurled screws **07.04**



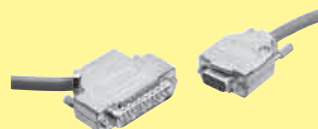
Thermoplastic side entry hoods with knurled screws **07.05**



Thermoplastic top entry hoods with knurled or locking screws **07.06**



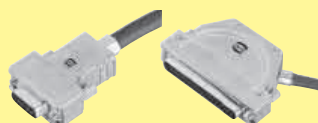
Full metal top and side entry hoods with knurled screws **07.07**



Full metal top and side entry hoods with short screws ... **07.08**



Full metal top and side entry hoods with different screw options **07.09**



General information – hoods for spring or slide locking **07.10**

Thermoplastic top and side entry hoods for spring or slide locking **07.11**



Full metal top and side entry hoods for spring or slide locking **07.12**



D-Sub - H

HARTING – Guarantee a secure connection

Modern electronic applications demand a high degree of mechanical and electrical security.

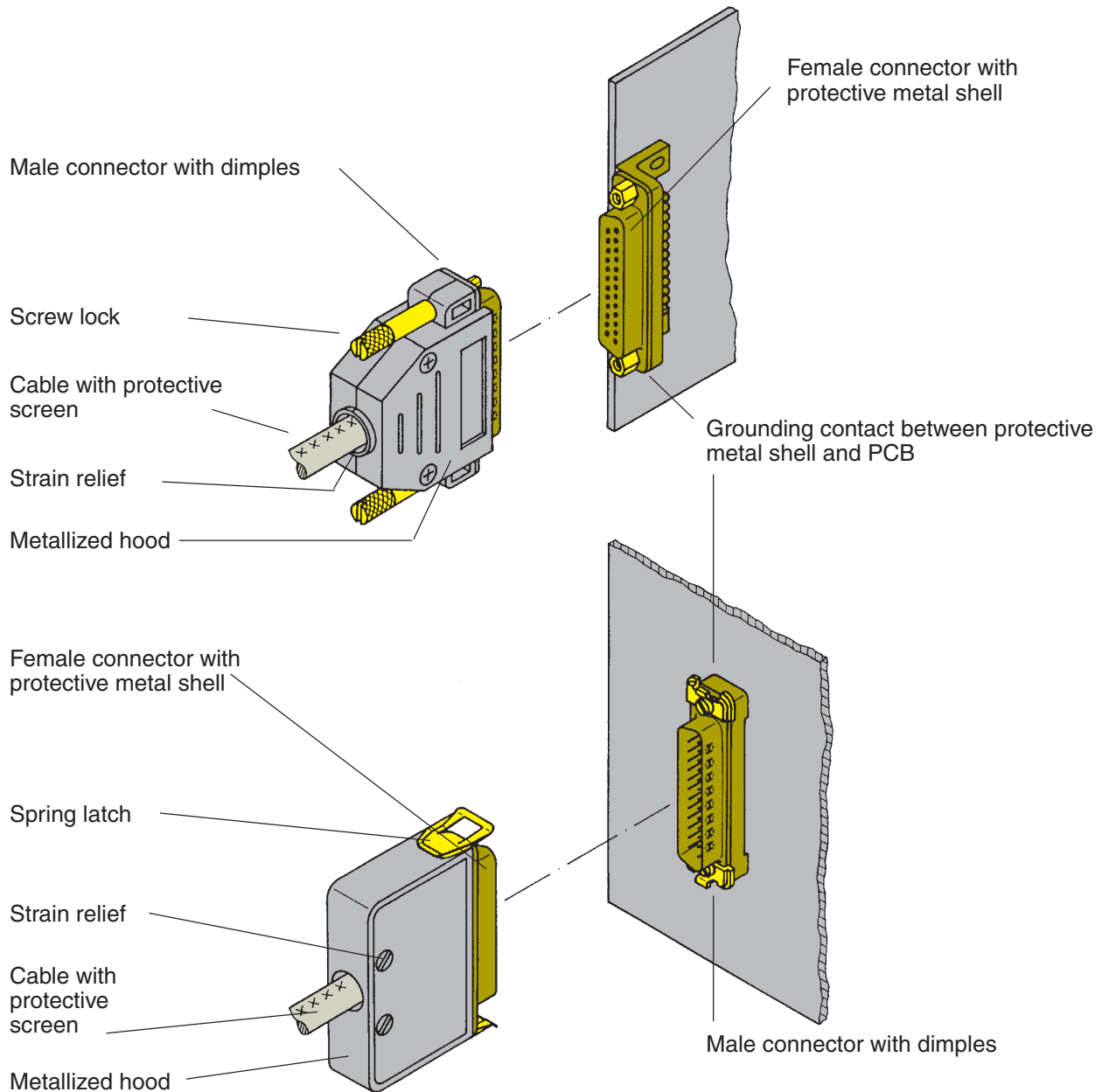
To meet these requirements, continuous screening from the cable to the PCB via the connector is achieved by using state of the art components to DIN 41 652.

HARTING offer many solutions. These utilise various combinations of male and female connectors with hoods, featuring either screw locking or latching facilities.

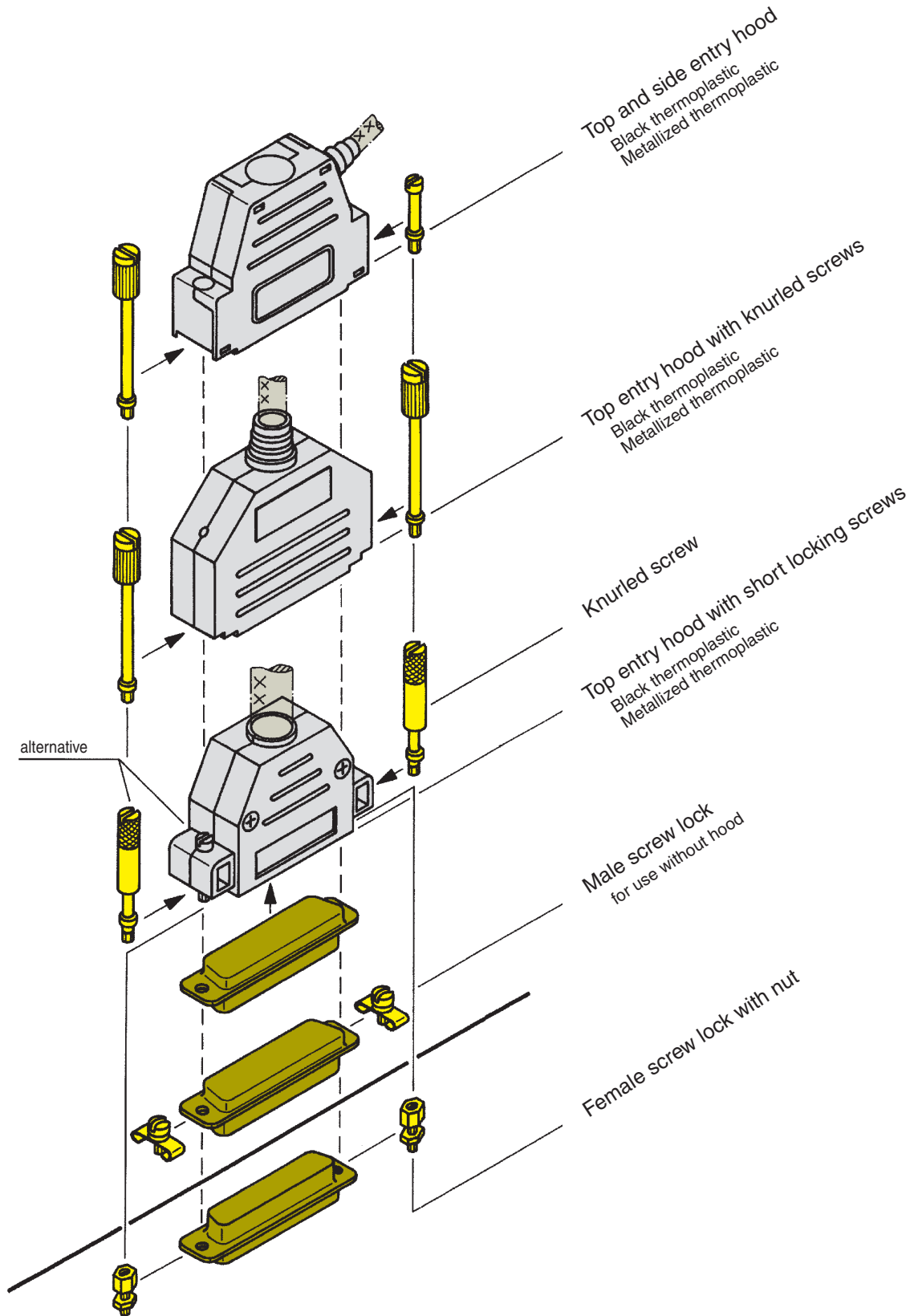
Only 2 examples are shown:

- Continuous security screening and grounding with screw locking and metallized hood.
- Continuous grounding and vibration proof latching system with metallized hood.

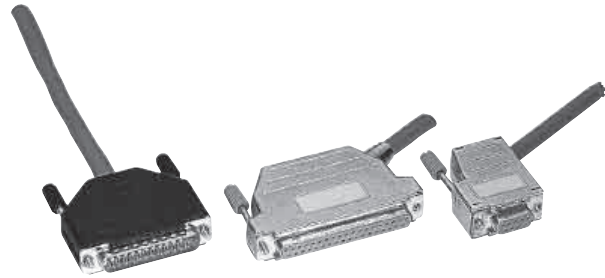
D-Sub - H



Connector hoods for screw locking



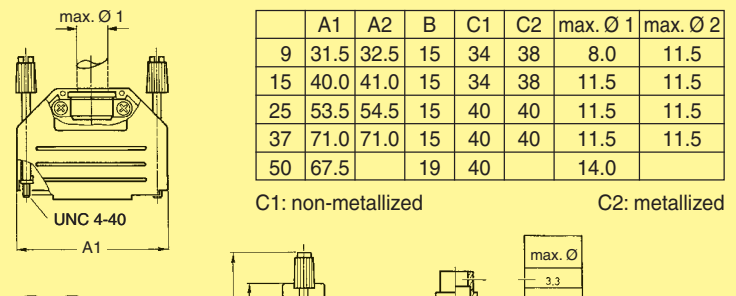
D-Sub - H



Top and side entry hoods with knurled screws

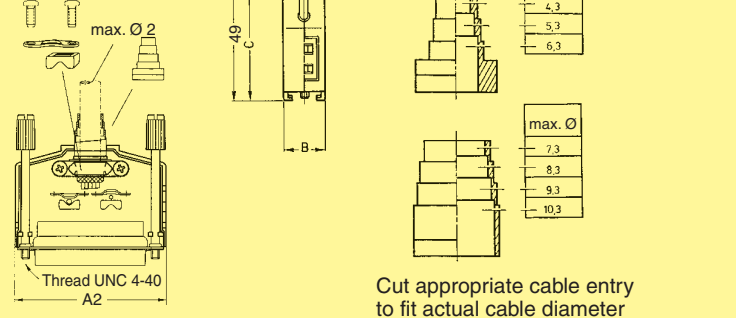
Identification	No. of contacts	Part No.	Drawing	Dimensions in mm
----------------	-----------------	----------	---------	------------------

Top entry hood Black thermoplastic	9	09 67 009 0424
	15	09 67 015 0424
	25	09 67 025 0424
	37	09 67 037 0424
	50	09 67 050 0424

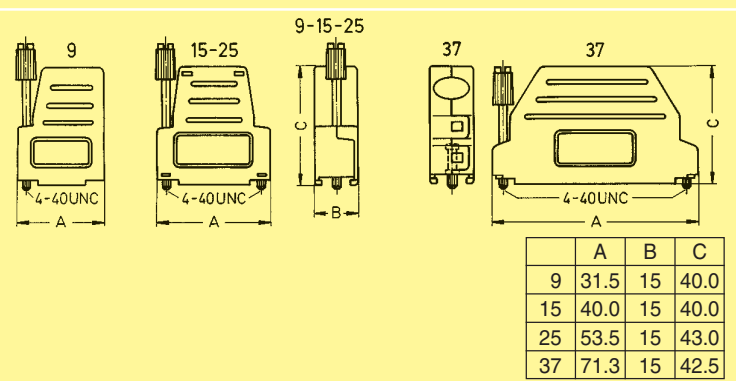


D-Sub - H

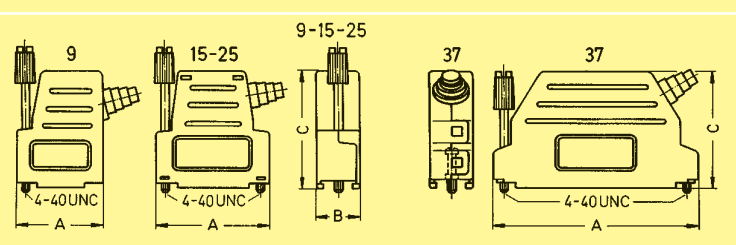
Top entry hood Metallized thermoplastic	9	09 67 009 0425
	15	09 67 015 0425
	25	09 67 025 0425
	37	09 67 037 0425



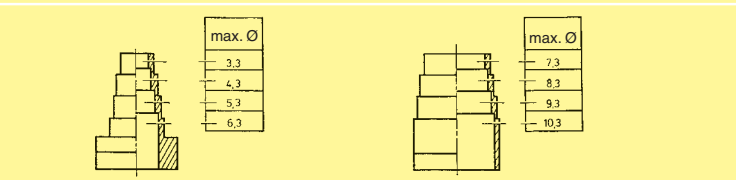
Top and side entry hood Black thermoplastic	9	09 67 009 0434
	15	09 67 015 0434
	25	09 67 025 0434
	37	09 67 037 0434 ¹⁾



Top and side entry hood Metallized thermoplastic	9	09 67 009 0435
	15	09 67 015 0435 ²⁾
	25	09 67 025 0435 ²⁾
	37	09 67 037 0435 ¹⁾

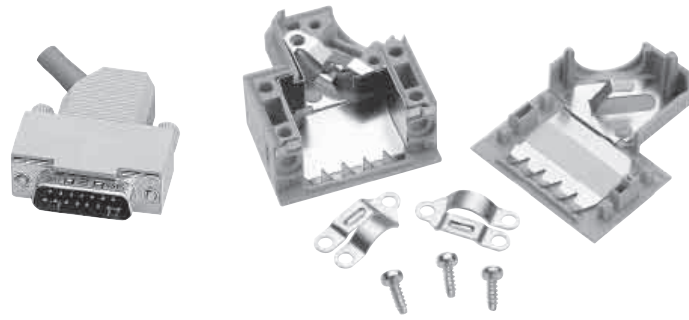


Grommet for top and side entry black thermoplastic hood		09 67 001 9968
--	--	----------------



07
04

¹⁾ 37 ways is only side entry
²⁾ Cable clamp kit for two outputs is available with Part No. 09 67 001 9988 (it includes: screw, metal clamp, plastic insert and grommet)

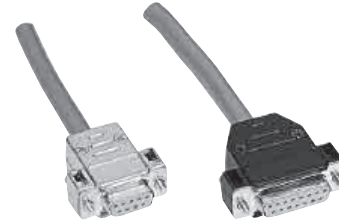


Side entry hoods with knurled screws

Identification	No. of contacts	Part No.	Drawing	Dimensions in mm																									
Hood ¹⁾ grey thermoplastic RAL 7032	9	09 67 009 0571																											
	15	09 67 015 0571																											
	25	09 67 025 0571																											
	37	09 67 037 0571																											
	50	09 67 050 0571																											
grey thermoplastic with internal tin-plate screening	9	09 67 009 0573																											
	15	09 67 015 0573																											
	25	09 67 025 0573																											
	37	09 67 037 0573																											
	50	09 67 050 0573																											
9-37 way for packaging density of 3 TE (15.24 mm)	9	09 67 009 0573	<table border="1"> <thead> <tr> <th></th> <th>a max.</th> <th>b</th> <th>c</th> <th>d max.</th> </tr> </thead> <tbody> <tr> <td>15</td> <td>39.62</td> <td>33.3</td> <td>15</td> <td>Ø 9.1</td> </tr> <tr> <td>25</td> <td>53.52</td> <td>47.0</td> <td>15</td> <td>Ø 11.5</td> </tr> <tr> <td>37</td> <td>69.80</td> <td>63.5</td> <td>15</td> <td>Ø 12.8</td> </tr> <tr> <td>50</td> <td>67.41</td> <td>61.1</td> <td>19</td> <td>Ø 14.5</td> </tr> </tbody> </table>		a max.	b	c	d max.	15	39.62	33.3	15	Ø 9.1	25	53.52	47.0	15	Ø 11.5	37	69.80	63.5	15	Ø 12.8	50	67.41	61.1	19	Ø 14.5	
		a max.		b	c	d max.																							
	15	39.62		33.3	15	Ø 9.1																							
	25	53.52		47.0	15	Ø 11.5																							
	37	69.80		63.5	15	Ø 12.8																							
50	67.41	61.1	19	Ø 14.5																									
15	09 67 015 0573																												
25	09 67 025 0573																												
37	09 67 037 0573																												
50	09 67 050 0573																												
Knurled screw	9-50	Thread UNC Thread M3	<p>Grey head / Nickel plated steel</p>																										
		Thread UNC Thread M3			<p>Full metal part</p>																								
Tooling ⁶⁾ for assembly of hoods		Top part																											
		Bottom part																											

D-Sub - H

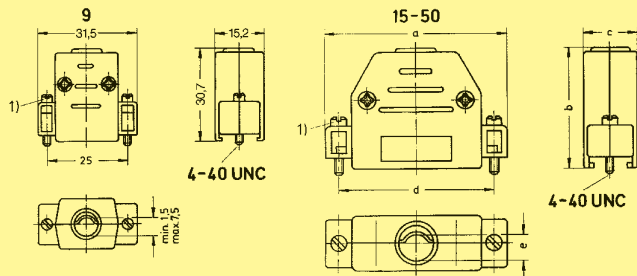
* Not normally kept in stock
¹⁾ Order knurled screw separately
²⁾ Before assembling the hood, the knurled screws must be inserted into the lower hood part.
³⁾ For retained nut when using slide lock or female screw lock
⁴⁾ 9 way 1 per hood – 15-50 way 2 per hood
⁵⁾ Screw driver type ISO PH 1 for philips screw No 1 ISO norm 4757
⁶⁾ Additional tooling (bench press) see chapter 32



Top entry hoods with knurled or locking screws

Identification	No. of contacts	Part No.	Drawing	Dimensions in mm
----------------	-----------------	----------	---------	------------------

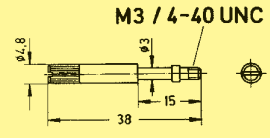
Hood Black thermoplastic with short locking screws	9	09 67 009 0442
	15	09 67 015 0442
	25	09 67 025 0442
	37	09 67 037 0442
	50	09 67 050 0442



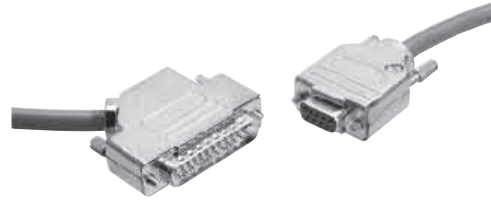
Hood Metallized thermoplastic with short locking screws	9	09 67 009 0443
	15	09 67 015 0443
	25	09 67 025 0443
	37	09 67 037 0443
	50	09 67 050 0443

	a	b	c	d	e	
					min.	max.
15	40.0	34.7	15.2	33.3	3.3	8.5
25	53.2	39.7	15.2	47.0	3.5	11.0
37	70.0	39.7	15.2	63.5	3.5	11.0
50	67.5	39.7	18.2	61.1	9.3	12.0

Knurled screw for metallized hood Thread UNC Thread M3	9-50	09 67 000 9925 ²⁾
	9-50	09 67 000 9930 ²⁾



¹⁾ Use of knurled screws is possible. Please order separately
²⁾ Order 2 for each hood

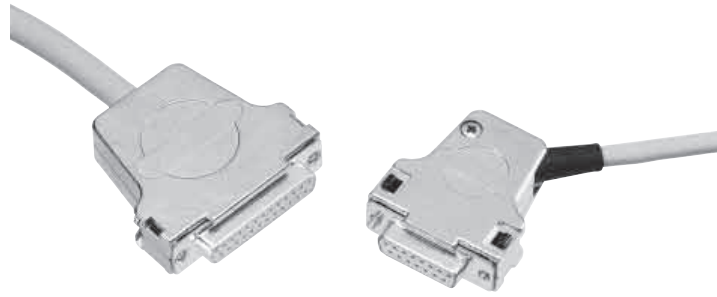


Full metal top and side entry hoods with knurled screws

Identification	No. of contacts	Part No.	Drawing	Dimensions in mm															
Top entry hood Please insert digit for screw option Knurled screw, thread 4-40 UNC ▶ 3 Knurled screw, thread M3 ▶ 8	9 15 25 37	09 67 009 034 . 09 67 015 034 . 09 67 025 034 . 09 67 037 034 .		<table border="1"> <thead> <tr> <th>Poles</th> <th>A</th> <th>B</th> </tr> </thead> <tbody> <tr> <td>9</td> <td>31.2</td> <td>39.9</td> </tr> <tr> <td>15</td> <td>39.5</td> <td>41.5</td> </tr> <tr> <td>25</td> <td>53.4</td> <td>48.6</td> </tr> <tr> <td>37</td> <td>69.7</td> <td>53.6</td> </tr> </tbody> </table>	Poles	A	B	9	31.2	39.9	15	39.5	41.5	25	53.4	48.6	37	69.7	53.6
				Poles	A	B													
9	31.2	39.9																	
15	39.5	41.5																	
25	53.4	48.6																	
37	69.7	53.6																	
Grommet set halves 	<table border="1"> <thead> <tr> <th colspan="2">Grommet dimensions</th> </tr> <tr> <th>Number</th> <th>Diameter</th> </tr> </thead> <tbody> <tr> <td>1</td> <td>4.0</td> </tr> <tr> <td>2</td> <td>5.0</td> </tr> <tr> <td>3</td> <td>7.0</td> </tr> <tr> <td>4</td> <td>10.0</td> </tr> <tr> <td>5</td> <td>10.2</td> </tr> </tbody> </table>	Grommet dimensions		Number	Diameter	1	4.0	2	5.0	3	7.0	4	10.0	5	10.2				
Grommet dimensions																			
Number	Diameter																		
1	4.0																		
2	5.0																		
3	7.0																		
4	10.0																		
5	10.2																		
Side entry hood Please insert digit for screw option Knurled screw, thread 4-40 UNC ▶ 3 Knurled screw, thread M3 ▶ 6	9) ¹⁾ 15 25 37	09 67 009 033 . 09 67 015 033 . 09 67 025 033 . 09 67 037 033 .		<table border="1"> <thead> <tr> <th>Poles</th> <th>A</th> <th>B</th> </tr> </thead> <tbody> <tr> <td>9</td> <td>31.0</td> <td>38.0</td> </tr> <tr> <td>15</td> <td>40.5</td> <td>41.1</td> </tr> <tr> <td>25</td> <td>53.7</td> <td>41.8</td> </tr> <tr> <td>37</td> <td>69.8</td> <td>41.8</td> </tr> </tbody> </table>	Poles	A	B	9	31.0	38.0	15	40.5	41.1	25	53.7	41.8	37	69.8	41.8
				Poles	A	B													
9	31.0	38.0																	
15	40.5	41.1																	
25	53.7	41.8																	
37	69.8	41.8																	
Grommet set halves 	<table border="1"> <thead> <tr> <th colspan="2">Grommet dimensions</th> </tr> <tr> <th>Number</th> <th>Diameter</th> </tr> </thead> <tbody> <tr> <td>1</td> <td>4.0</td> </tr> <tr> <td>2</td> <td>5.0</td> </tr> <tr> <td>3</td> <td>7.0</td> </tr> <tr> <td>4</td> <td>10.0</td> </tr> <tr> <td>5</td> <td>10.2</td> </tr> </tbody> </table>	Grommet dimensions		Number	Diameter	1	4.0	2	5.0	3	7.0	4	10.0	5	10.2				
Grommet dimensions																			
Number	Diameter																		
1	4.0																		
2	5.0																		
3	7.0																		
4	10.0																		
5	10.2																		

D-Sub - H

¹⁾ 9 pole hood provided with only one screw on the opposite side of the cable entry.



Full metal top and side entry hoods with short screws

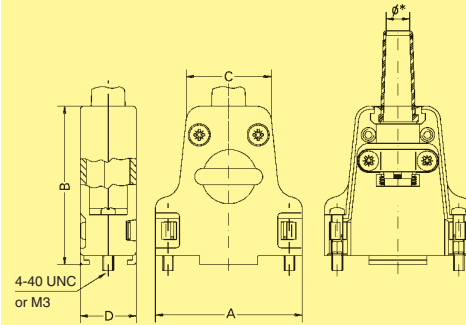
Identification No. of contacts Part No. Drawing Dimensions in mm

Top entry hood

9	09 67 009 034
15	09 67 015 034
25	09 67 025 034
37	09 67 037 034
50	09 67 050 034

Please insert digit for screw option

- Locking screw, thread 4-40 UNC ▶ 4
- Locking screw, thread M3 ▶ 9



Poles	A	B	C	D	Ø F1		Ø F2	Ø F3
					Min.	Max.		
9	31.8	42.4	20.8	15.4	3.0	9.5	6.5	—
15	40.3	43.5	23.3	15.4	3.0	8.5	6.5	12.5
25	54.0	47.7	31.7	15.4	3.0	8.5	8.0	12.5
37	70.2	50.4	48.2	15.4	3.0	12.0	9.0	15.0
50	67.8	50.5	45.8	18.2	3.0	12.0	9.7	15.0

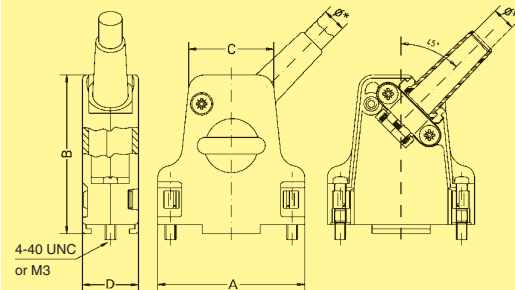
* Cable diameter without rubber bushing = Ø F1
 Cable diameter with rubber bushing = Ø F2
 Cable diameter without rubber bushing and without cable reduction plate = Ø F3

Side entry hood

9	09 67 009 033
15	09 67 015 033
25	09 67 025 033
37	09 67 037 033
50	09 67 050 033

Please insert digit for screw option

- Locking screw, thread 4-40 UNC ▶ 4
- Locking screw, thread M3 ▶ 5



Locking hook

09 67 002 9031

Latch lock bolt

Front mount

- thread 4-40 UNC
- thread M3

09 67 002 9041

09 67 002 9042

Rear mount

- thread 4-40 UNC
- thread M3

09 67 002 9032

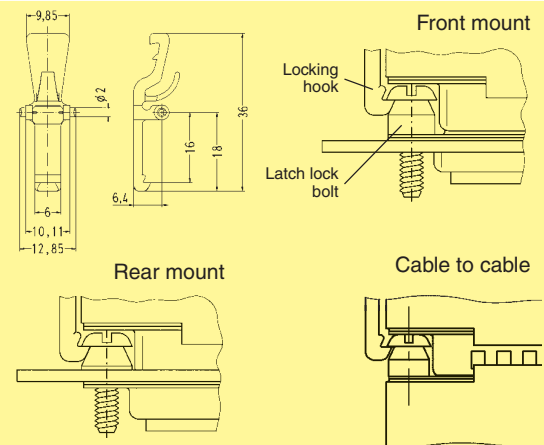
09 67 002 9040

Cable to cable

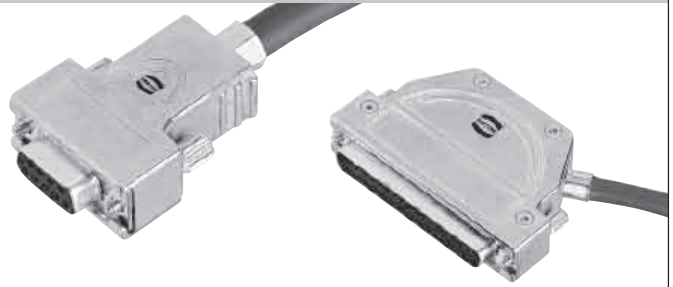
- thread 4-40 UNC
- thread M3

09 67 002 9044

09 67 002 9045



D-Sub - H



Full metal top and side entry hoods with different screw options

Identification	No. of contacts	Part No.	Drawing	Dimensions in mm																																				
40° side entry hood	9	61 03 001 . 013		<table border="1"> <thead> <tr> <th>No. of contacts</th> <th>A</th> <th>B</th> <th>C</th> <th>D</th> </tr> </thead> <tbody> <tr> <td>9</td> <td>31.0</td> <td>25.0</td> <td>35.0</td> <td>15.0</td> </tr> <tr> <td>15</td> <td>39.3</td> <td>33.3</td> <td>35.0</td> <td>15.0</td> </tr> <tr> <td>25</td> <td>53.0</td> <td>47.0</td> <td>35.0</td> <td>15.0</td> </tr> </tbody> </table>	No. of contacts	A	B	C	D	9	31.0	25.0	35.0	15.0	15	39.3	33.3	35.0	15.0	25	53.0	47.0	35.0	15.0																
	No. of contacts	A			B	C	D																																	
	9	31.0			25.0	35.0	15.0																																	
	15	39.3			33.3	35.0	15.0																																	
25	53.0	47.0	35.0	15.0																																				
15	61 03 001 . 014																																							
25	61 03 001 . 015																																							
Top/side entry hood	9	61 03 001 . 010		<table border="1"> <thead> <tr> <th>No. of contacts</th> <th>No. of cable entries</th> <th>A</th> <th>B</th> <th>C</th> <th>D</th> </tr> </thead> <tbody> <tr> <td>9</td> <td>1 (top)</td> <td>31.0</td> <td>25.0</td> <td>38.0</td> <td>15.0</td> </tr> <tr> <td>15</td> <td>1 (top)</td> <td>39.5</td> <td>33.3</td> <td>35.0</td> <td>15.0</td> </tr> <tr> <td>25</td> <td>3</td> <td>53.0</td> <td>47.0</td> <td>43.0</td> <td>15.0</td> </tr> <tr> <td>37</td> <td>3</td> <td>69.5</td> <td>63.5</td> <td>43.0</td> <td>15.0</td> </tr> <tr> <td>50</td> <td>3</td> <td>67.2</td> <td>61.6</td> <td>43.0</td> <td>17.8</td> </tr> </tbody> </table>	No. of contacts	No. of cable entries	A	B	C	D	9	1 (top)	31.0	25.0	38.0	15.0	15	1 (top)	39.5	33.3	35.0	15.0	25	3	53.0	47.0	43.0	15.0	37	3	69.5	63.5	43.0	15.0	50	3	67.2	61.6	43.0	17.8
	No. of contacts	No. of cable entries			A	B	C	D																																
	9	1 (top)			31.0	25.0	38.0	15.0																																
	15	1 (top)			39.5	33.3	35.0	15.0																																
	25	3			53.0	47.0	43.0	15.0																																
	37	3			69.5	63.5	43.0	15.0																																
50	3	67.2	61.6	43.0	17.8																																			
15	61 03 001 . 016																																							
25	61 03 001 . 017 ¹⁾																																							
37	61 03 001 . 018 ¹⁾																																							
50	61 03 001 . 019 ¹⁾																																							
Please insert digit for screw option																																								
	Knurled screw, thread 4-40 UNC ▶	0																																						
	Hexagonal screw, thread M3 with captive washer ▶	1																																						
	Hexagonal screw, thread 4-40 UNC with captive washer ▶	2																																						
	Knurled screw, thread M3 ▶	3																																						

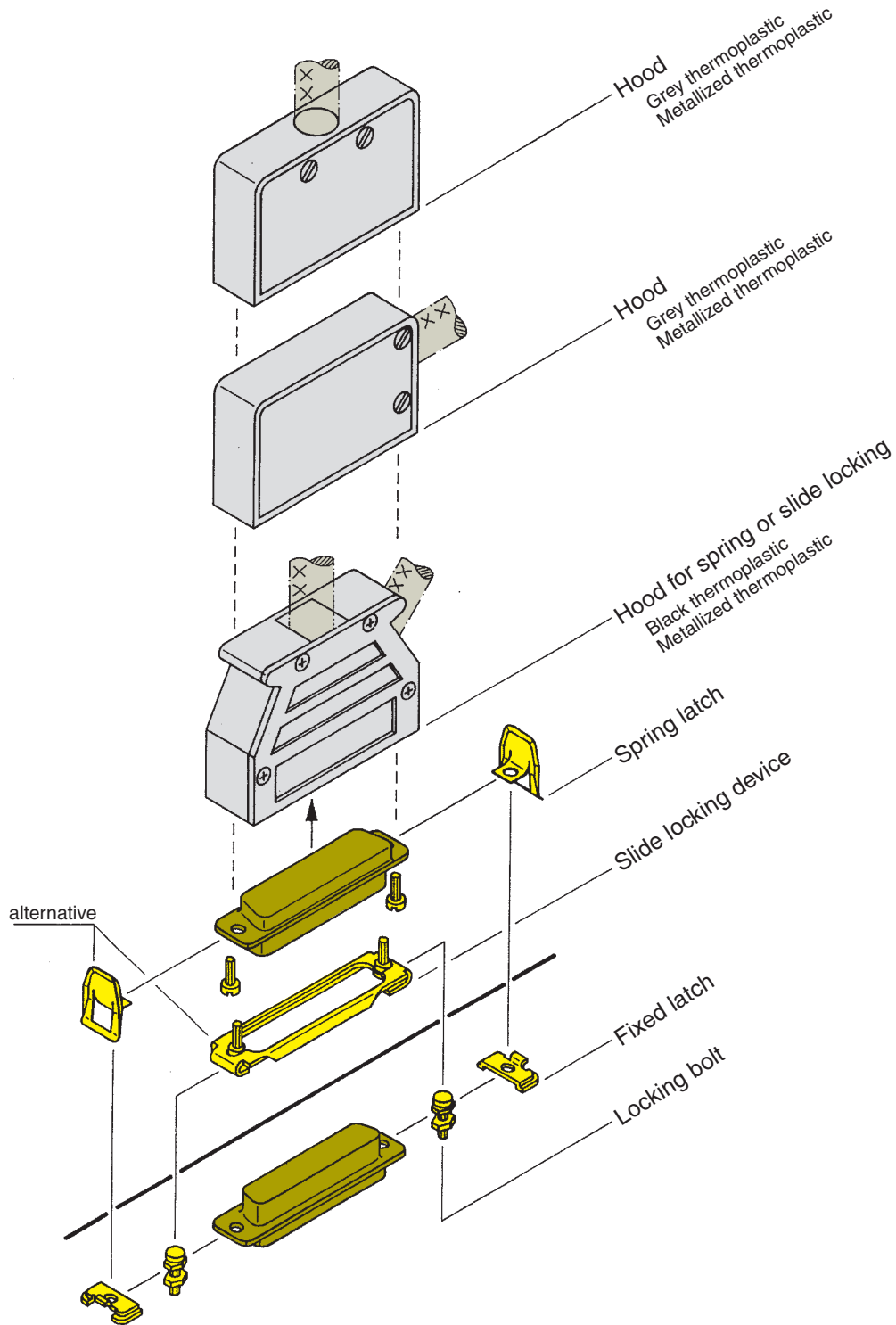
D-Sub - H

07
09

¹⁾ Part No. contains two blanking pieces

Accessories see page 07.14

Connector hoods for spring or slide locking



D-Sub - H

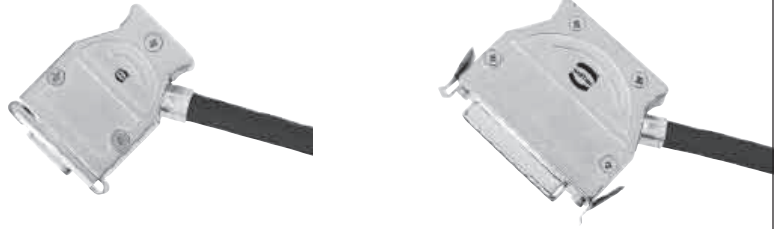


Thermoplastic top and side entry hoods for spring or slide locking

Identification	No. of contacts	Part No.		Drawing	Dimensions in mm																																																								
Top entry hood	9 15 25 37 50	Thermoplastic grey	Thermoplastic metallized		<table border="1"> <thead> <tr> <th></th> <th>a</th> <th>b₁</th> <th>b₂</th> <th>c</th> <th>d</th> <th colspan="2">e</th> </tr> <tr> <th></th> <th></th> <th></th> <th></th> <th></th> <th></th> <th>min.</th> <th>max.</th> </tr> </thead> <tbody> <tr> <td>9</td> <td>31.0</td> <td>23</td> <td>28</td> <td>12.8</td> <td>10</td> <td>5.75</td> <td>9.0</td> </tr> <tr> <td>15</td> <td>39.4</td> <td>28</td> <td>28</td> <td>12.8</td> <td>10</td> <td>5.75</td> <td>9.0</td> </tr> <tr> <td>25</td> <td>53.3</td> <td>34</td> <td>34</td> <td>12.8</td> <td>14</td> <td>5.75</td> <td>9.0</td> </tr> <tr> <td>37</td> <td>69.7</td> <td>43</td> <td>43</td> <td>12.8</td> <td>20</td> <td>5.75</td> <td>9.0</td> </tr> <tr> <td>50</td> <td>67.1</td> <td>41</td> <td>41</td> <td>15.8</td> <td>20</td> <td>5.75</td> <td>11.6</td> </tr> </tbody> </table>		a	b ₁	b ₂	c	d	e								min.	max.	9	31.0	23	28	12.8	10	5.75	9.0	15	39.4	28	28	12.8	10	5.75	9.0	25	53.3	34	34	12.8	14	5.75	9.0	37	69.7	43	43	12.8	20	5.75	9.0	50	67.1	41	41	15.8	20	5.75	11.6
			a			b ₁	b ₂	c	d	e																																																			
										min.	max.																																																		
		9	31.0			23	28	12.8	10	5.75	9.0																																																		
		15	39.4			28	28	12.8	10	5.75	9.0																																																		
25	53.3	34	34	12.8	14	5.75	9.0																																																						
37	69.7	43	43	12.8	20	5.75	9.0																																																						
50	67.1	41	41	15.8	20	5.75	11.6																																																						
9-37 way for packaging density of 3 TE (15.24 mm)		Thermoplastic grey	Thermoplastic metallized		<table border="1"> <thead> <tr> <th></th> <th>a</th> <th>b₁</th> <th>b₂</th> <th>c</th> <th>d</th> <th colspan="2">e</th> </tr> <tr> <th></th> <th></th> <th></th> <th></th> <th></th> <th></th> <th>min.</th> <th>max.</th> </tr> </thead> <tbody> <tr> <td>9</td> <td>31.0</td> <td>23</td> <td>28</td> <td>12.8</td> <td>10</td> <td>5.75</td> <td>9.0</td> </tr> <tr> <td>15</td> <td>39.4</td> <td>28</td> <td>28</td> <td>12.8</td> <td>10</td> <td>5.75</td> <td>9.0</td> </tr> <tr> <td>25</td> <td>53.3</td> <td>34</td> <td>34</td> <td>12.8</td> <td>14</td> <td>5.75</td> <td>9.0</td> </tr> <tr> <td>37</td> <td>69.7</td> <td>43</td> <td>43</td> <td>12.8</td> <td>20</td> <td>5.75</td> <td>9.0</td> </tr> <tr> <td>50</td> <td>67.1</td> <td>41</td> <td>41</td> <td>15.8</td> <td>20</td> <td>5.75</td> <td>11.6</td> </tr> </tbody> </table>		a	b ₁	b ₂	c	d	e								min.	max.	9	31.0	23	28	12.8	10	5.75	9.0	15	39.4	28	28	12.8	10	5.75	9.0	25	53.3	34	34	12.8	14	5.75	9.0	37	69.7	43	43	12.8	20	5.75	9.0	50	67.1	41	41	15.8	20	5.75	11.6
			a			b ₁	b ₂	c	d	e																																																			
										min.	max.																																																		
		9	31.0			23	28	12.8	10	5.75	9.0																																																		
		15	39.4			28	28	12.8	10	5.75	9.0																																																		
25	53.3	34	34	12.8	14	5.75	9.0																																																						
37	69.7	43	43	12.8	20	5.75	9.0																																																						
50	67.1	41	41	15.8	20	5.75	11.6																																																						
Side entry hood	9 15 25 37 50	Thermoplastic grey	Thermoplastic metallized		<table border="1"> <thead> <tr> <th></th> <th>a</th> <th>b₁</th> <th>b₂</th> <th>c</th> <th>d</th> <th colspan="2">e</th> </tr> <tr> <th></th> <th></th> <th></th> <th></th> <th></th> <th></th> <th>min.</th> <th>max.</th> </tr> </thead> <tbody> <tr> <td>9</td> <td>31.0</td> <td>23</td> <td>28</td> <td>12.8</td> <td>10</td> <td>5.75</td> <td>9.0</td> </tr> <tr> <td>15</td> <td>39.4</td> <td>28</td> <td>28</td> <td>12.8</td> <td>10</td> <td>5.75</td> <td>9.0</td> </tr> <tr> <td>25</td> <td>53.3</td> <td>34</td> <td>34</td> <td>12.8</td> <td>14</td> <td>5.75</td> <td>9.0</td> </tr> <tr> <td>37</td> <td>69.7</td> <td>43</td> <td>43</td> <td>12.8</td> <td>20</td> <td>5.75</td> <td>9.0</td> </tr> <tr> <td>50</td> <td>67.1</td> <td>41</td> <td>41</td> <td>15.8</td> <td>20</td> <td>5.75</td> <td>11.6</td> </tr> </tbody> </table>		a	b ₁	b ₂	c	d	e								min.	max.	9	31.0	23	28	12.8	10	5.75	9.0	15	39.4	28	28	12.8	10	5.75	9.0	25	53.3	34	34	12.8	14	5.75	9.0	37	69.7	43	43	12.8	20	5.75	9.0	50	67.1	41	41	15.8	20	5.75	11.6
			a			b ₁	b ₂	c	d	e																																																			
										min.	max.																																																		
		9	31.0			23	28	12.8	10	5.75	9.0																																																		
		15	39.4			28	28	12.8	10	5.75	9.0																																																		
25	53.3	34	34	12.8	14	5.75	9.0																																																						
37	69.7	43	43	12.8	20	5.75	9.0																																																						
50	67.1	41	41	15.8	20	5.75	11.6																																																						
9-37 way for packaging density of 3 TE (15.24 mm)		Thermoplastic grey	Thermoplastic metallized		<table border="1"> <thead> <tr> <th></th> <th>a</th> <th>b₁</th> <th>b₂</th> <th>c</th> <th>d</th> <th colspan="2">e</th> </tr> <tr> <th></th> <th></th> <th></th> <th></th> <th></th> <th></th> <th>min.</th> <th>max.</th> </tr> </thead> <tbody> <tr> <td>9</td> <td>31.0</td> <td>23</td> <td>28</td> <td>12.8</td> <td>10</td> <td>5.75</td> <td>9.0</td> </tr> <tr> <td>15</td> <td>39.4</td> <td>28</td> <td>28</td> <td>12.8</td> <td>10</td> <td>5.75</td> <td>9.0</td> </tr> <tr> <td>25</td> <td>53.3</td> <td>34</td> <td>34</td> <td>12.8</td> <td>14</td> <td>5.75</td> <td>9.0</td> </tr> <tr> <td>37</td> <td>69.7</td> <td>43</td> <td>43</td> <td>12.8</td> <td>20</td> <td>5.75</td> <td>9.0</td> </tr> <tr> <td>50</td> <td>67.1</td> <td>41</td> <td>41</td> <td>15.8</td> <td>20</td> <td>5.75</td> <td>11.6</td> </tr> </tbody> </table>		a	b ₁	b ₂	c	d	e								min.	max.	9	31.0	23	28	12.8	10	5.75	9.0	15	39.4	28	28	12.8	10	5.75	9.0	25	53.3	34	34	12.8	14	5.75	9.0	37	69.7	43	43	12.8	20	5.75	9.0	50	67.1	41	41	15.8	20	5.75	11.6
			a			b ₁	b ₂	c	d	e																																																			
										min.	max.																																																		
		9	31.0			23	28	12.8	10	5.75	9.0																																																		
		15	39.4			28	28	12.8	10	5.75	9.0																																																		
25	53.3	34	34	12.8	14	5.75	9.0																																																						
37	69.7	43	43	12.8	20	5.75	9.0																																																						
50	67.1	41	41	15.8	20	5.75	11.6																																																						
Top and side entry hood ¹⁾	9 15 25 37 50	Thermoplastic black	Thermoplastic metallized		<table border="1"> <thead> <tr> <th></th> <th>a</th> <th>c</th> <th>d</th> <th colspan="2">e</th> </tr> <tr> <th></th> <th></th> <th></th> <th></th> <th>min.</th> <th>max.</th> </tr> </thead> <tbody> <tr> <td>9</td> <td>31.0</td> <td>15.4</td> <td>7</td> <td>1.7</td> <td>7.5</td> </tr> <tr> <td>15</td> <td>39.4</td> <td>15.4</td> <td>7</td> <td>1.7</td> <td>8.0</td> </tr> <tr> <td>25</td> <td>53.2</td> <td>15.4</td> <td>9</td> <td>1.5</td> <td>8.0</td> </tr> <tr> <td>37</td> <td>69.5</td> <td>15.4</td> <td>9</td> <td>1.5</td> <td>8.0</td> </tr> <tr> <td>50</td> <td>67.0</td> <td>17.9</td> <td>9</td> <td>1.5</td> <td>8.0</td> </tr> </tbody> </table>		a	c	d	e						min.	max.	9	31.0	15.4	7	1.7	7.5	15	39.4	15.4	7	1.7	8.0	25	53.2	15.4	9	1.5	8.0	37	69.5	15.4	9	1.5	8.0	50	67.0	17.9	9	1.5	8.0														
			a			c	d	e																																																					
								min.	max.																																																				
		9	31.0			15.4	7	1.7	7.5																																																				
		15	39.4			15.4	7	1.7	8.0																																																				
25	53.2	15.4	9	1.5	8.0																																																								
37	69.5	15.4	9	1.5	8.0																																																								
50	67.0	17.9	9	1.5	8.0																																																								

D-Sub - H

¹⁾ 9 poles is only side entry
Accessories see page 07.13

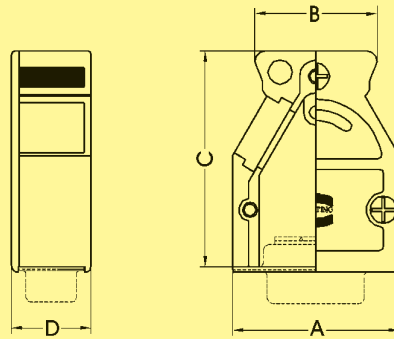


Full metal top and side entry hoods for spring or slide locking

Identification	No. of contacts	Part No.	Drawing	Dimensions in mm
----------------	-----------------	----------	---------	------------------

Top/side entry hood with spring/slide locking

9	61 03 001 0022 ¹⁾
15	61 03 001 0011 ²⁾
25	61 03 001 0012 ²⁾
37	61 03 001 0021 ²⁾
50	61 03 001 0020 ²⁾



No. of contacts	No. of cable entries	A	B	C	D
9	2	31.0	22.6	40.0	14.8
15	3	39.0	30.6	40.0	14.8
25	3	53.0	42.6	40.0	14.8
37	3	69.5	59.2	40.0	14.8
50	3	67.0	55.0	40.0	17.6

D-Sub - H

¹⁾ Part No. contains one blanking piece
²⁾ Part No. contains two blanking pieces

Accessories for spring or slide locking hoods

Identification	No. of contacts	Part No.	Drawing	Dimensions in mm																														
Spring latch	9-50	corrosion resistant steel 09 67 000 9907 ¹⁾																																
Fixed latch	9-37 50	corrosion resistant steel 09 67 001 9971 ¹⁾ 09 67 001 9972 ¹⁾																																
Slide locking device	9 15 25 37 50	corrosion resistant steel 09 67 000 9914 09 67 000 9915 09 67 000 9916 09 67 000 9917 09 67 000 9918	 <table border="1"> <thead> <tr> <th></th> <th>a</th> <th>b</th> <th>c</th> <th>d</th> </tr> </thead> <tbody> <tr> <td>9</td> <td>35.6</td> <td>25.0</td> <td>12.0</td> <td>10.0</td> </tr> <tr> <td>15</td> <td>44.0</td> <td>33.3</td> <td>12.0</td> <td>10.0</td> </tr> <tr> <td>25</td> <td>57.8</td> <td>47.0</td> <td>12.0</td> <td>10.0</td> </tr> <tr> <td>37</td> <td>74.3</td> <td>63.5</td> <td>12.0</td> <td>10.0</td> </tr> <tr> <td>50</td> <td>72.0</td> <td>61.1</td> <td>14.8</td> <td>13.5</td> </tr> </tbody> </table>		a	b	c	d	9	35.6	25.0	12.0	10.0	15	44.0	33.3	12.0	10.0	25	57.8	47.0	12.0	10.0	37	74.3	63.5	12.0	10.0	50	72.0	61.1	14.8	13.5	
	a	b	c	d																														
9	35.6	25.0	12.0	10.0																														
15	44.0	33.3	12.0	10.0																														
25	57.8	47.0	12.0	10.0																														
37	74.3	63.5	12.0	10.0																														
50	72.0	61.1	14.8	13.5																														
Locking bolt	9-50	tinned 09 67 001 9973 ¹⁾																																

D-Sub · H

¹⁾ Order 2 for each connector

Accessories for full metal hoods

Identification	Part No.		Drawing	Dimensions in mm																																								
Crimp flange	Hoods for 9-37 pole D-Sub	Hoods for 50 pole D-Sub	<table border="1"> <thead> <tr> <th>D1</th> <th>D2</th> </tr> </thead> <tbody> <tr><td>3.0</td><td>4.0</td></tr> <tr><td>3.5</td><td>4.5</td></tr> <tr><td>4.0</td><td>5.0</td></tr> <tr><td>4.5</td><td>5.5</td></tr> <tr><td>5.0</td><td>6.0</td></tr> <tr><td>5.5</td><td>6.5</td></tr> <tr><td>6.0</td><td>7.0</td></tr> <tr><td>6.5</td><td>7.5</td></tr> <tr><td>7.0</td><td>8.0</td></tr> <tr><td>7.5</td><td>8.5</td></tr> <tr><td>8.0</td><td>9.0</td></tr> <tr><td>8.5</td><td>9.5</td></tr> <tr><td>9.0</td><td>10.0</td></tr> </tbody> </table>	D1	D2	3.0	4.0	3.5	4.5	4.0	5.0	4.5	5.5	5.0	6.0	5.5	6.5	6.0	7.0	6.5	7.5	7.0	8.0	7.5	8.5	8.0	9.0	8.5	9.5	9.0	10.0													
	D1	D2																																										
	3.0	4.0																																										
	3.5	4.5																																										
	4.0	5.0																																										
	4.5	5.5																																										
	5.0	6.0																																										
	5.5	6.5																																										
	6.0	7.0																																										
	6.5	7.5																																										
	7.0	8.0																																										
	7.5	8.5																																										
	8.0	9.0																																										
	8.5	9.5																																										
	9.0	10.0																																										
61 03 000 0062	61 03 000 5062																																											
61 03 000 0063	61 03 000 5063																																											
61 03 000 0064	61 03 000 5064																																											
61 03 000 0065	61 03 000 5065																																											
61 03 000 0066	61 03 000 5066																																											
61 03 000 0166	61 03 000 5166																																											
61 03 000 0067	61 03 000 5067																																											
61 03 000 0068	61 03 000 5068																																											
61 03 000 0069	61 03 000 5069																																											
61 03 000 0070	61 03 000 5070																																											
61 03 000 0071	61 03 000 5071																																											
61 03 000 0165	61 03 000 5165																																											
61 03 000 0072	61 03 000 5072																																											
Crimp ferrule	61 03 000 0045 61 03 000 0046 61 03 000 0047 61 03 000 0048 61 03 000 0049 61 03 000 0050 61 03 000 0051 61 03 000 0052 61 03 000 0053 61 03 000 0054 61 03 000 0055 61 03 000 0056 61 03 000 0057 61 03 000 0058 61 03 000 0142 61 03 000 0059 61 03 000 0127 61 03 000 0060 61 03 000 0061		<table border="1"> <thead> <tr> <th>D3</th> <th>D4</th> </tr> </thead> <tbody> <tr><td>5.0</td><td>6.0</td></tr> <tr><td>5.5</td><td>6.5</td></tr> <tr><td>6.0</td><td>7.0</td></tr> <tr><td>6.5</td><td>7.5</td></tr> <tr><td>7.0</td><td>8.0</td></tr> <tr><td>7.5</td><td>8.5</td></tr> <tr><td>8.0</td><td>9.0</td></tr> <tr><td>8.5</td><td>9.5</td></tr> <tr><td>9.0</td><td>10.0</td></tr> <tr><td>9.5</td><td>10.5</td></tr> <tr><td>10.0</td><td>11.0</td></tr> <tr><td>10.5</td><td>11.5</td></tr> <tr><td>11.0</td><td>12.0</td></tr> <tr><td>11.5</td><td>12.5</td></tr> <tr><td>12.0</td><td>13.0</td></tr> <tr><td>12.5</td><td>13.5</td></tr> <tr><td>13.0</td><td>14.0</td></tr> <tr><td>13.7</td><td>15.0</td></tr> <tr><td>14.0</td><td>15.0</td></tr> </tbody> </table>	D3	D4	5.0	6.0	5.5	6.5	6.0	7.0	6.5	7.5	7.0	8.0	7.5	8.5	8.0	9.0	8.5	9.5	9.0	10.0	9.5	10.5	10.0	11.0	10.5	11.5	11.0	12.0	11.5	12.5	12.0	13.0	12.5	13.5	13.0	14.0	13.7	15.0	14.0	15.0	
				D3	D4																																							
				5.0	6.0																																							
				5.5	6.5																																							
				6.0	7.0																																							
				6.5	7.5																																							
				7.0	8.0																																							
				7.5	8.5																																							
				8.0	9.0																																							
				8.5	9.5																																							
				9.0	10.0																																							
				9.5	10.5																																							
				10.0	11.0																																							
				10.5	11.5																																							
				11.0	12.0																																							
				11.5	12.5																																							
				12.0	13.0																																							
				12.5	13.5																																							
				13.0	14.0																																							
				13.7	15.0																																							
14.0	15.0																																											
Cable clamp	cable-Ø appr. 5- 7 mm	61 03 000 0141																																										
	cable-Ø appr. 7-10 mm	61 03 000 0044																																										
	cable-Ø appr. 10-12 mm	61 03 000 0143																																										
	cable-Ø appr. 11-14 mm	61 03 000 0145																																										
Blanking piece for hoods	61 03 000 0042	61 03 000 0041																																										
Hexagonal screw	thread 4-40 UNC x 17.5-8.8 with captive washer	09 67 002 9020																																										
	thread M3 x 17.5-8.8 with captive washer	09 67 002 9019																																										
Knurled screw	thread 4-40 UNC	09 67 002 9018																																										
	thread M3	09 67 002 9017																																										

07
14

Tooling see chapter 31

Crimp flange termination instruction

1. Strip the cable sheath to the correct length (approx. 35 to 40 mm, depending on interface type).
2. Place the crimp ferrule over the cable sheath. Bend the outer screen backwards over the cable sheath. Cut screen approx. 2 mm from the end of the cable sheath.
3. Place the crimp flange over the wires covered by the remaining foil shield. Push and twist the crimp flange under the outer screen and cable sheath until the end of the cable sheath touches the crimp flange. HARTING has developed a special tool for optimised installation of the shielding over the crimp flange, part number 61 03 600 0017.
4. Move the crimp ferrule back onto the crimp flange and crimp the two parts together with the special service crimp tool part number 61 03 600 0020. For an optimised crimp process the tool should be positioned as close as possible to the crimp flange shoulder.
5. Cut off the internal screen foil and push the crimp flange inside the metal hood.

HARTING offers to test and define the best crimp flange and ferrule combination for customer specific cables.

