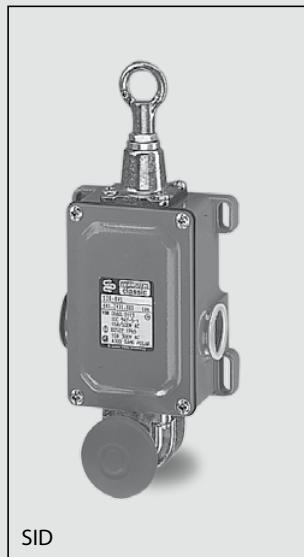
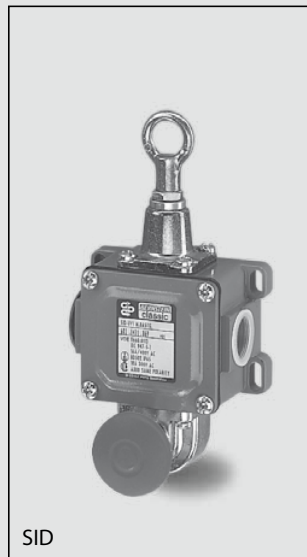
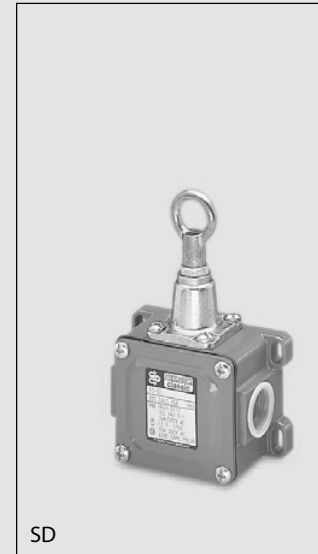


Standard Cable Pull Switches

With and Without Latching Function



Because of their specifications governed by corresponding standards (see Cable Safety Pull Switches SRM/SR), these cable pull switches are used exclusively as safety command devices.

These switches are available in metal enclosures as well as in insulation-enclosed versions. They are operated manually by pulling on the attached cable.

Thanks to their pretension, these switches, which feature a switching contact with overlap, execute a switching function when the cable is pulled or in the event of cable breakage.

The field of application for these cable pull switches includes

- Opening and closing of (garage) doors
- Starting machines
- Issuing commands in production processes

The basic design of the standard cable pull switches is based on that of position switches.

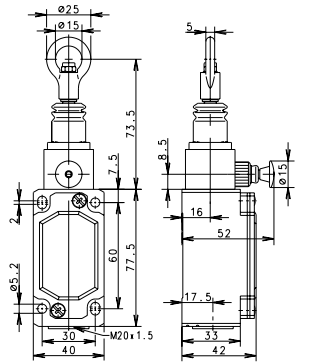
The specified cable length refers to the maximum length at minimum temperature variation. The maximum cable length may decrease under different environmental conditions.

Technical data	SEK	SiEK	SEM2	SiEM2
Electrical data				
Rated insulation voltage U_i	400 V AC	400 V AC	400 V AC	400 V AC
Rated operating voltage U_e	240 V	240 V	240 V	240 V
Conventional thermal current I_{the}	10 A	10 A	10 A	10 A
Utilization category U_e/I_e	AC-15, U_e/I_e 240 V / 3 A	AC-15, U_e/I_e 240 V / 3 A	AC-15, U_e/I_e 240 V / 3 A	AC-15, U_e/I_e 240 V / 3 A
Mechanical data				
Switching frequency max.	≤ 50/min.	max. 100/min.	max. 50/min.	max. 50/min.
Mechanical service life	1 x 10 ⁶ switching cycles	1 x 10 ⁶ switching cycles	1 x 10 ⁶ switching cycles	1 x 10 ⁶ switching cycles
B10d	on request	on request	on request	on request
Short-circuit protection	Fuse 10 A gL/gG	Fuse 10 A gL/gG	Fuse 10 A gL/gG	Fuse 10 A gL/gG
Protection class	II, Insulated	II, Insulated	I	I
Ambient temperature	-30°C to +80°C	-30°C to +80°C	-30°C to +80°C	-30°C to +80°C
Protection class	IP65 conforming to IEC/EN 60529	IP65 conforming to EN 60529	IP65 conforming to EN 60529	IP65 conforming to EN 60529; DIN VDE 0470 T1
Type of connection	4 Screw connections (M3, 5)	4 Screw connections (M3, 5)	4 Screw connections (M3, 5)	Screw connections
Conductor cross sections	Single-wire 0.5 - 1.5 mm ² or Stranded wire with ferrule 0.5 - 1.5 mm ²	Single-wire 0.5 - 1.5 mm ² or Stranded wire with ferrule 0.5 - 1.5 mm ²	Single-wire 0.5 - 1.5 mm ² or Stranded wire with ferrule 0.5 - 1.5 mm ²	Single-wire 0.5 - 1.5 mm ² or Stranded wire with ferrule 0.5 - 1.5 mm ²
Enclosure	Thermoplastic, glass fibre-reinforced	Thermoplastic, glass fibre-reinforced	Aluminium pressure die-casting	Aluminium pressure die-casting
Cable entry	1 x M20 x 1.5	1 x M20 x 1.5	1 x M20 x 1.5	1 x M20 x 1.5
Standards				
VDE 0660 T100, DIN EN 60947-1, IEC 60947-1 VDE 0660 T200, DIN EN 60947-5-1, IEC 60947-5-1				

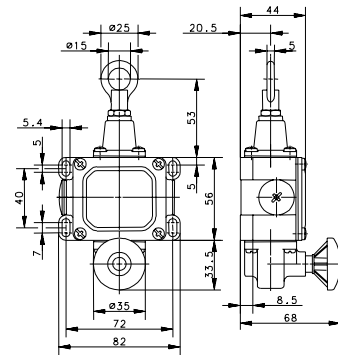
Technical data	SD	SiD	SIN
Electrical data			
Rated insulation voltage U_i	400 V AC	400 V AC	400 V AC
Rated operating voltage U_e	240 V	240 V	240 V
Conventional thermal current I_{the}	16 A	16 A	10 A
Utilization category U_e/I_e	AC-15, U_e/I_e 240 V / 3 A	AC-15, U_e/I_e 240 V / 3 A	AC-15, U_e/I_e 240 V / 3 A
Mechanical data			
Switching frequency max.	≤ 20/min.	max. 20/min.	≤ 20/min.
Mechanical service life	1 x 10 ⁶ switching cycles	1 x 10 ⁶ switching cycles	1 x 10 ⁶ switching cycles
B10d	on request	on request	on request
Short-circuit protection	Fuse 10 A gL/gG	Fuse 10 A gL/gG	Fuse 10 A gL/gG
Protection class	I	I	I
Ambient temperature	-30°C to +80°C	-30°C to +80°C	-30°C to +80°C
Protection class	IP65 conforming to EN 60529	IP65 conforming to EN 60529	IP65 conforming to EN 60529
Type of connection	Screw connections	Screw connections	Screw connections
Conductor cross sections	Single-wire 0.5 - 1.5 mm ² or Stranded wire with ferrule 0.5 - 1.5 mm ²	Single-wire 0.5 - 1.5 mm ² or Stranded wire with ferrule 0.5 - 1.5 mm ²	Single-wire 0.5 - 1.5 mm ² or Stranded wire with ferrule 0.5 - 1.5 mm ²
Enclosure	Aluminium pressure die-casting	Aluminium pressure die-casting	Aluminium pressure die-casting
Cable entry	2 x M20 x 1.5	2 x M20 x 1.5	2 x M20 x 1.5
Standards			
VDE 0660 T100, DIN EN 60947-1, IEC 60947-1 VDE 0660 T200, DIN EN 60947-5-1, IEC 60947-5-1			

Standard Cable Pull Switches

SIEM2 RAST



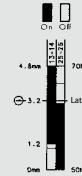
SID RAST



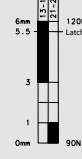
Variant 1

Article No.
Designation
Max. span

6012831023
SIEM2-UV1Z P-RAST
6 m



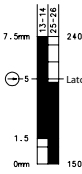
6011411868
SD-U1 P-RAST
8 m



Variant 2

Article No.
Designation
Max. span

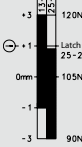
6111431060
SID-UV1Z P-RAST
15 m



Variant 3

Article No.
Designation
Max. span

6011431869
SID-UV1Z P-RAST
12 m



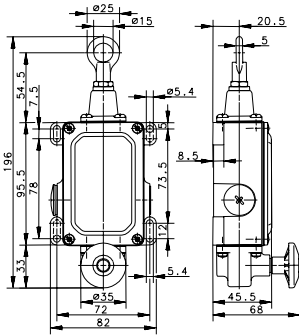
Technical data

Rated insulation voltage U_i max.
Rated operating voltage U_o max.
Conventional thermal current I_{the}
Utilization category U_o/I_o

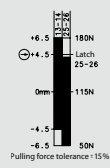
400 V AC
240 V
10 A
AC-15, 240 V/3 A

400 V AC
240 V
16 A
AC-15, 240 V/3 A

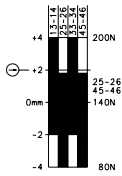
SID RAST



6112431050
SID-UV1Z P-RAST
35 m

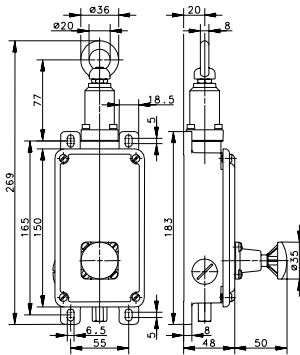


6012441907
SID-UV2Z P-RAST
18 m

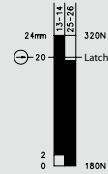


400 V AC
240 V
16 A
AC-15, 240 V/3 A

SIN RAST



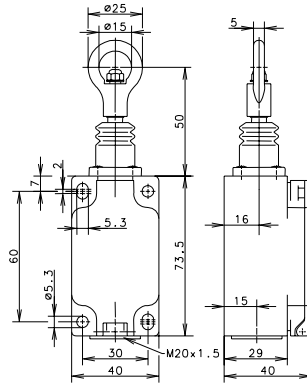
6013531367
SIN-UV1Z P-RAST
60 m



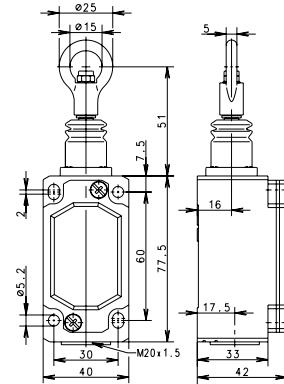
400 V AC
240 V
10 A
AC-15, 240 V/3 A

Standard Cable Pull Switches

SEK/SIEK



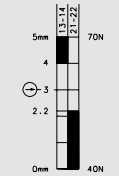
SEM/SIEM2



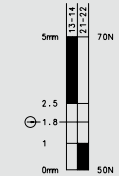
Variant 1

Article No.
Designation
Max. span

6011811133
SEK-U1Z
6 m



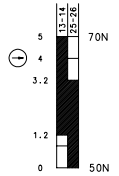
6012811029
SEM2-U1Z
6 m



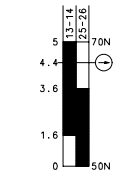
Variant 2

Article No.
Designation
Max. span

6011831134
SIEK-UV1Z
4 m



6012831022
SIEM2-UV1Z
6 m



Variant 3

Article No.
Designation
Max. span

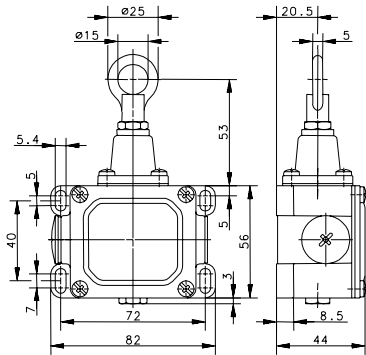
Technical data

Rated insulation voltage U_i max.
Rated operating voltage U_e max
Conventional thermal current I_{the}
Utilization category U_e/I_e

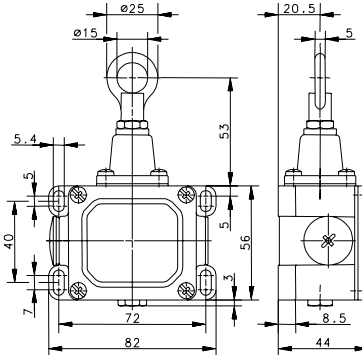
400 V AC
240 V
10 A
AC-15, 240 V/3 A

400 V AC
240 V
10 A
AC-15, 240 V/3 A

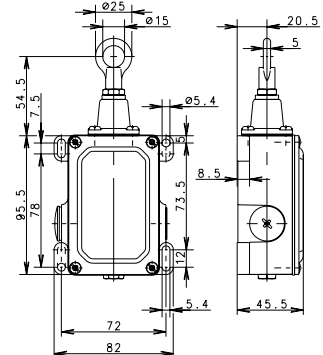
SD



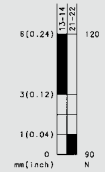
SID



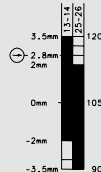
SID



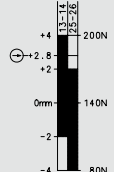
6011411856
SD-U1
8 m



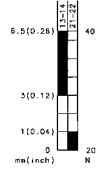
6011431857
SID-UV1Z
4 m



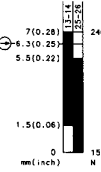
6012431877
SID-UV1
8 m



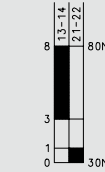
6111411029
SD-U1
6 m



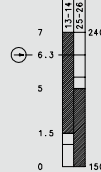
6111431022
SID-UV1Z
8 m



6111411161
SD-U1
6 m



6111431069
SID-UV1Z
12 m

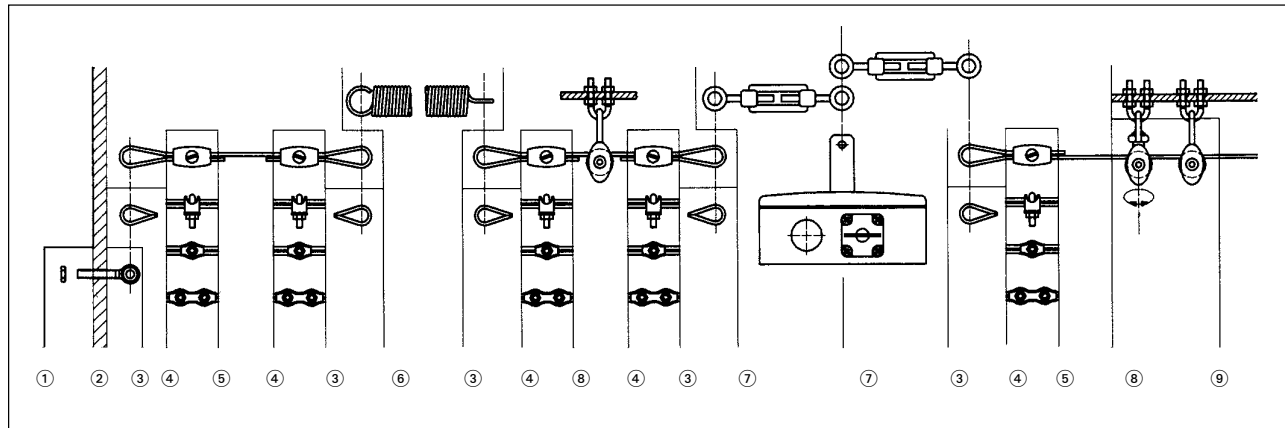


500 V AC
240 V
16 A
AC-15, 240 V/3 A

400 V AC
240 V
kein DB
AC-15, 240 V/3 A

500 V AC
240 V
16 A
AC-15, 240 V/3 A

Accessories for Cable Pull Switches



① Nut



Size		Strength class	Art. No.
M 6	DIN 439T2	A2-70	2600439090
M 8	DIN 439T2	04	2600439187
M 10	DIN 934	8	2600934092

Coating: Thick-layer passivated (M 8/M 10), RoHS-compliant

② Eye bolt



Size		Strength class	Art. No.
M 10 x 50		4.6	2600444076
M 6 x 50		4.6	2600444185
M 8 x 50		4.6	2600444186

Coating: Thick-layer passivated, RoHS-compliant

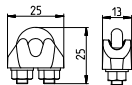
③ Cable eye stiffener



Size		Art. No.
D 2.5	to DIN 65457	2696899013
D 3	to DIN 65457	2696899014
D 4	to DIN 65457	2696899015
D 5	to DIN 6899B	2696899001

Material: Steel strip
Coating: Blue passivated, RoHS-compliant

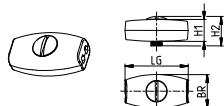
④ Cable grip



Size	Art. No.
D5	2690741002

Material: GTW/steel
Coating: Yellow chromated, RoHS-compliant

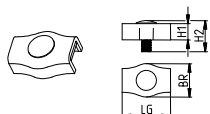
④ Cable grip, oval



Size	LG	BR	H1	H2	Art. No.
2	28 mm	15 mm	11 mm	13 mm	2690000004
3	28 mm	15 mm	12 mm	13 mm	2690000005
4	34 mm	20 mm	14 mm	18 mm	2690000006

Material: Refined zinc cast alloy
Coating: Blue passivated, RoHS-compliant

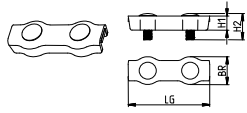
④ Cable grip, simplex



Size	LG	BR	H1	H2	Art. No.
2	15 mm	12 mm	5 mm	11 mm	2690000007
3	17 mm	14 mm	6 mm	14 mm	2690000008
4	20 mm	17 mm	7 mm	16 mm	2690000009

Material: Steel strip
Coating: Blue passivated, RoHS-compliant

④ Cable grip, duplex



Size	LG	BR	H1	H2	Art. No.
2	35 mm	12 mm	5 mm	11 mm	2690000010
3	35 mm	14 mm	6 mm	14 mm	2690000011
4	40 mm	17 mm	7 mm	16 mm	2690000012

Material: Steel strip
Coating: Blue passivated, RoHS-compliant

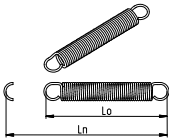
⑤ Cable



Cable Ø / Sheath Ø	Design	Minimum breaking strength	Art. No.
D 1,8/D 5	Similar to DIN 3055	275 kp	3699100008
D 2/D 2.5	to DIN 3055	239 kp	3699100024
D 3/D 4	to DIN 3055	538 kp	3699100025
D 4/D 5	to DIN 3055	957 kp	3699100026

Material: Fibre-core galvanised, strength 1770 N/mm²
Coating: Blue passivated, RoHS-compliant

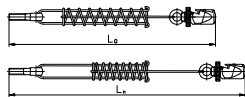
⑥ Compression spring, eye shape to DIN 1479



Fo	Fn	R	Lo	Ln	Art. No.
18 N	296 N	1.269 N/mm	188 mm	408 mm	3652100331
24 N	354 N	2.466 N/mm	180 mm	314 mm	3652100332
13.3 N	153 N	0.694 N/mm	185 mm	387 mm	3652100211
35.2 N	450 N	3.490 N/mm	201 mm	319 mm	3652100198

Material: Wire to DIN 2076 - 1.4310

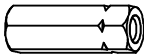
⑦ Pull cable spring



Fn	R	Lo	Ln	Art. No.
218 N	2.1 N/mm	383 mm	487 mm	3911042153
335 N	1.9 N/mm	483 mm	653 mm	3911042154

Material: Wire to DIN 2076 - 1.4310, cable grip - zinc pressure die-cast alloy, eye bolt to DIN 444 - 4.6
Coating: Thick-layer passivated (except spring), RoHS-compliant

⑦ Turnbuckle sleeve



Size	Art. No.
M 6	2601479188
M 8	2601479189

Material: Steel, min. tensile strength 330 N/mm²
Coating: Blue passivated, RoHS-compliant

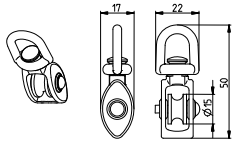
⑦ Turnbuckle similar to DIN 1480 with two eyes



Ösen	Art. No.
M 5 x 50	2601480016
M 6 x 60	2601480017

Material: Steel, forged
Coating: Blue passivated, RoHS-compliant

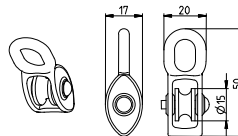
⑧ Pulley block, swivel version



Art. No.
2690000023

Material: Zinc pressure die-cast alloy (pulley polyamide)
Coating: Blue passivated, RoHS-compliant

⑧ Pulley block, fixed version



Art. No.
260000022

Material: Zinc pressure die-cast alloy (pulley polyamide)
Coating: Blue passivated, RoHS-compliant

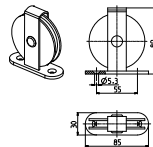
⑨ Mounting bracket for pulley to DIN 1142



Art. No.
3911751437

Material: Steel
Coating: Blue passivated, RoHS-compliant

Deflection pulley ø 75 mm for cable diameter up to 8 mm



Art. No.
2690000051

Material: Steel/polyamide
Coating: Blue passivated, RoHS-compliant