

535 ^{to} 280 / 590

TRIM TRIO "UTP" SERIES

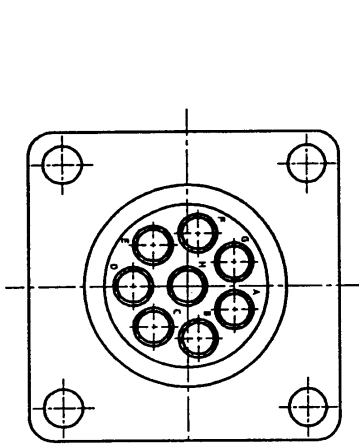
***A NEW ALL PLASTIC
CIRCULAR CONNECTOR
FOR THE INDUSTRIAL
MARKET***

DIT IS ONZE EIGENOM EN MAG HOCH NAGEHAANT, HERDRUKT, OVERGEHAANT AAN DERDEN, NOCH VOOR FABRICATIE GEBRUIKT WORDEN, ZONDER ONZE SCHRIFTELIJKE TOELATING. BIJ NIET GEBRUIK IS DE TERUGZENDING VERPLICHT.

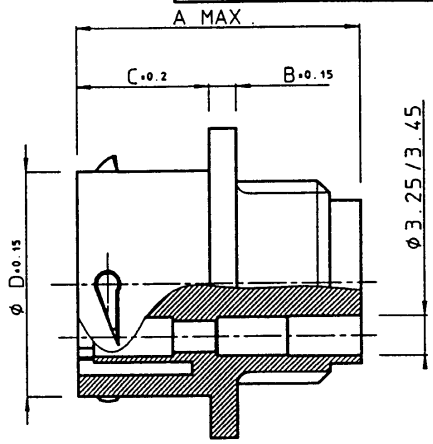
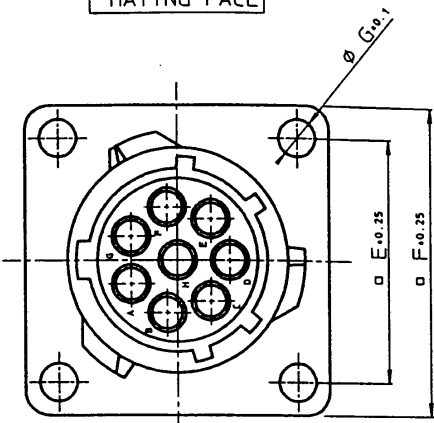
THIS IS OUR EXCLUSIVE PROPERTY. IT IS NOT TO BE COPIED, REPRINTED OR DISTRIBUTED WITHOUT OUR WRITTEN CONSENT, AND HAS TO BE RETURNED TO US IN CASE OF NO USAGE.

REV.	DATE	DESCRIPTION	BY	C'K'D'

WIRING FACE



MATING FACE



CAT. NUMBER	A MAX.	B+0.15	C+0.2	$\phi D_{+0.15}$	E+0.25	F+0.25	$\phi G_{+0.1}$	$\phi H_{+0.1}$	$\phi J_{+0.1}$
UTP0104S	24.3	2.3	11.3	15.0	18.3	23.8	3.2	17.3	15.1
UTP0125S	24.3	2.3	11.3	19.0	20.6	26.2	3.2	21.8	18.2
UTP0128S	24.3	2.3	11.3	19.0	20.6	26.2	3.2	21.8	18.2
UTP01412S	24.3	2.3	11.3	22.2	23.0	28.6	3.2	25.0	21.4
UTP01619S	24.3	2.3	11.3	25.3	24.6	31.0	3.2	28.1	24.6
UTP01823S	24.3	2.5	11.3	28.5	26.9	33.1	3.2	31.3	27.8
UTP02028S	27.0	2.5	14.5	31.7	29.4	36.5	3.2	34.5	30.9
UTP02235S	28.0	3.5	14.5	34.9	31.6	39.3	3.2	37.7	34.1
UTP02448S	30.4	3.5	15.3	38.0	34.9	42.9	3.9	40.9	37.3

UTP0128S AS SHOWN

MATERIAL

- BODY : GLASS-FILLED POLYESTER UL94-V0. COLOUR : BLACK

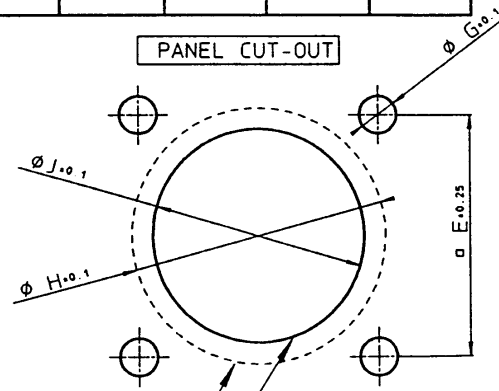
PERFORMANCE CHARACTERISTICS

- OPERATING TEMPERATURE : -25 °C TO +125 °C.
- INSULATION RESISTANCE : 5000 M Ω MIN.
- TEST POTENTIAL : 2000 V EFF.

NOTES

- CONNECTOR ACCEPTS * 16 STRIP FORMED SOCKET, MACHINED SOCKET AND SUBMINIATURE COAXIAL PIN AND SOCKET CONTACTS.
- CONTACTS TO BE ORDERED SEPARATELY : REFER TO TRIM - TRIO CATALOG.
- FOR OTHER INSERT ARRANGEMENTS SEE BS.C .201458.000
- FOR WATERPROTECTED VERSION: ADD 'H' TO THE CAT.NO. E.G. CAT.NO. : UTP0128SH
- MATING PART : UTP6----P

PANEL CUT-OUT



BS,A , 201766,002,0A

GEN. ST.	01	02	03	04	05	06	07	08	0D	50	60	70	80	90																	
INT. ST.	10	11	12	13	14	18	20	31	32	33	34	38	39	40	42	43	44	45	46	48	56	70	72	73	75	76	81	82	83	84	88

1DEC ±0.2 1DEC 2DEC ±0.1 2DEC ANGLES ±1° HOEKEN	APPR.	DATE	SIGN.	FEMALE RECEPTACLE	
WE RESERVE THE RIGHT TO CHANGE DIMENSIONS OR REQUIREMENTS WITHOUT PRIOR NOTICE.	DRAFT	19-04-94	J. GOOSSENS	CAT. No. UTP0----S(H) (SEE TABLE)	
ALL DIMENSIONS IN MM	PROD. MGR.			FRAMATOME CONNECTORS BELGIUM N.V. SCALE	
ALLE AFMETINGEN IN MM	PR. ENG MGR.			A. SPINOYSTRAAAT 8, 2800 MECHELEN	
	PR. MGT MGR.			 FRAMATOME CONNECTORS INTERNATIONAL	
	REFERENCES/REFERENTIES			BS,A , 201766,002,0A	
				DRAWING NR. CUSTOMER DRAWING	

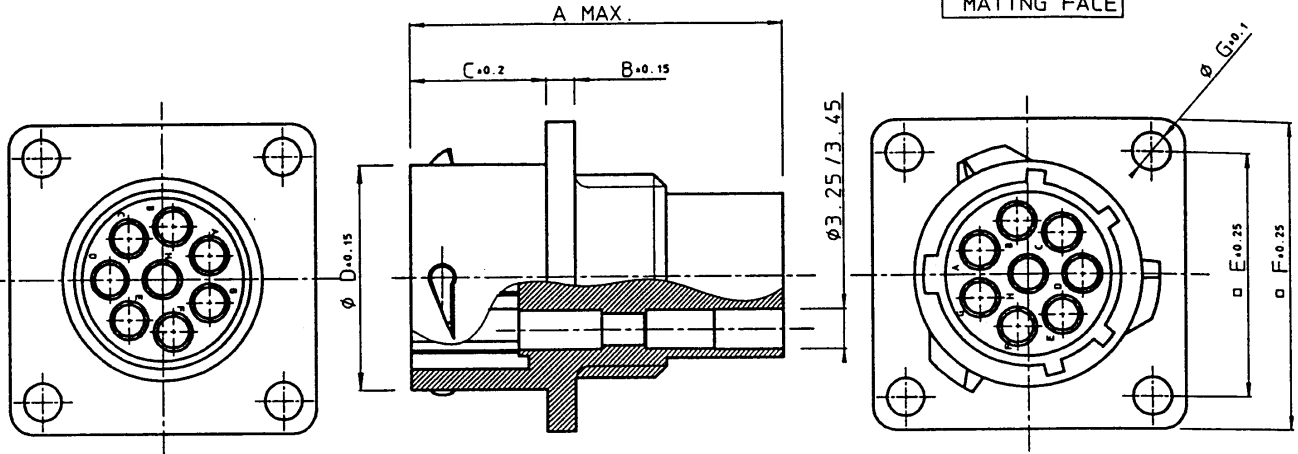
DIT IS DEZE EIGENOM EN MAG NOCH WAGENMAAKT, HERDRUKT, OVERNEMEN AM
DERDEN, NOCH VOOR FABRIKATIE GEBRUIKT WORDEN, ZONDER ONZE SCHRIFTELIJKE
TOELATING. BIJ NIET GEBRUIK IS DE TERUGZENDING VERPLICHT.

THIS IS OUR EXCLUSIVE PROPERTY. IT IS NOT TO BE COPIED, REPRINTED
OR DISCLOSED TO A THIRD PARTY, NOR USED FOR MANUFACTURE AND
OUR WRITTEN CONSENT, AND HAS TO BE RETURNED TO US IN CASE OF NO USAGE

REV.	DATE	DESCRIPTION	BY	C'K'D'

WIRING FACE

MATING FACE



CAT. NUMBER	A MAX.	B+0.15	C+0.2	Ø D+0.15	E+0.25	F+0.25	Ø G+0.1	Ø H+0.1	Ø J+0.1
UTP0104P	31.7	2.3	11.3	15.0	18.3	23.8	3.2	17.3	15.1
UTP0125P	31.7	2.3	11.3	19.0	20.6	26.2	3.2	21.8	18.2
UTP0128P	31.7	2.3	11.3	19.0	20.6	26.2	3.2	21.8	18.2
UTP01412P	31.7	2.3	11.3	22.2	23.0	28.6	3.2	25.0	21.4
UTP01619P	31.7	2.3	11.3	25.3	24.6	31.0	3.2	28.1	24.6
UTP01823P	31.7	2.5	11.3	28.5	26.9	33.1	3.2	31.3	27.8
UTP02028P	33.3	2.5	14.5	31.7	29.4	36.5	3.2	34.5	30.9
UTP02235P	33.3	3.5	14.4	34.9	31.6	39.3	3.2	37.7	34.1
UTP02448P	33.3	3.5	15.3	38.0	34.9	42.9	3.9	40.9	37.3
* NOTE 4									

UTP0128P AS SHOWN

MATERIAL

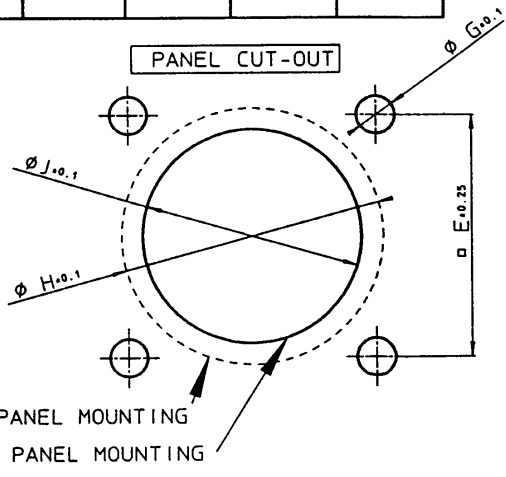
- BODY : GLASS-FILLED POLYESTER UL94-V0. COLOUR : BLACK

PERFORMANCE CHARACTERISTICS

- OPERATING TEMPERATURE : -25 °C TO +125 °C.
- INSULATION RESISTANCE : 5000 MΩ MIN.
- TEST POTENTIAL : 2000 V EFF.

NOTES

- CONNECTOR ACCEPTS 16 STRIP FORMED PIN, MACHINED PIN AND SUBMINATURE PIN AND SOCKET CONTACTS
- CONTACTS TO BE ORDERED SEPARATELY : REFER TO TRIM - TRIO CATALOG.
- FOR OTHER INSERT ARRANGEMENTS SEE BS.C .201458.000
- FOR WATERPROTECTED VERSION: ADD 'H' TO THE CAT.NO. E.G. CAT.NO. : UTP0128PH
- MATING PART : UTP6----S



REAR PANEL MOUNTING
FRONT PANEL MOUNTING

BS,A , 201766,001,0A

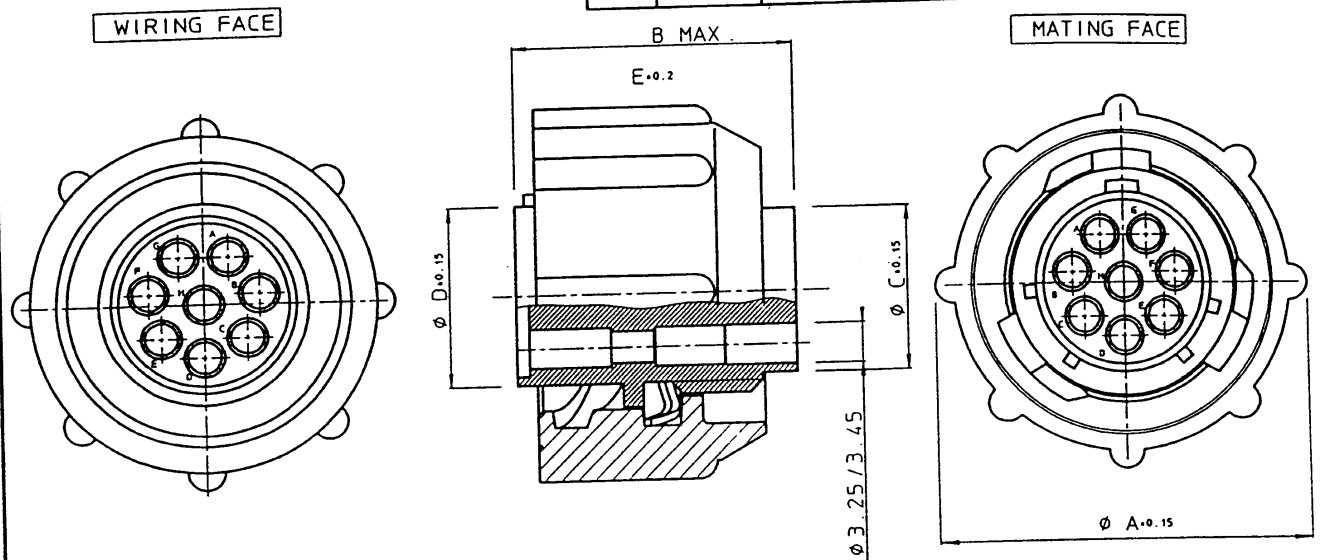
GEN. ST.	01	02	03	04	05	06	07	08	0D	50	60	70	80	90																	
INT. ST.	10	11	12	13	14	18	20	31	32	33	34	38	39	40	42	43	44	45	46	48	56	70	72	73	75	76	81	82	83	84	88

1DEC ±0.2 1DEC 2DEC ±0.1 2DEC ANGLES ±1° HOEKEN	APPR.	DATE	SIGN.	MALE RECEPTACLE	
WE RESERVE THE RIGHT TO CHANGE DIMENSIONS OR REQUIREMENTS WITHOUT PRIOR NOTICE.	DRAFT	19-04-94	J.GOOSENS	CAT. No. UTP0----P(H) (SEE TABLE)	
ALL DIMENSIONS IN MM	PROD. MGR.			FRAMATOME CONNECTORS BELGIUM N.V. SCALE	
ALLE AFMETINGEN IN MM	PR. ENG. MGR.			A. SPINOYSTRAAAT 8, 2800 MECHELEN	
	PR. MGT. MGR.			FCI FRAMATOME CONNECTORS INTERNATIONAL	
	REFERENCES / REFERENTIES			BS,A , 201766,001,0A DRAWING NR. CUSTOMER DRAWING	

DIT IS ONZE EIGENOM EN MAG NOCH NAGEMAKT. HEROKT, OVERGEMAKT AAN DEREN, NOCH VOOR FABRIKATIE GEBRUIKT WORDEN, ZONDER ONZE SCHRIFTELIJKE TOELATING. BIJ NIET GEbruik IS DE TERUZZENDING VERPLICHT.

THIS IS OUR EXCLUSIVE PROPERTY. IT IS NOT TO BE COPIED, REPRINTED OR DISCLOSED TO A THIRD PARTY, NOR USED FOR MANUFACTURING WITHOUT OUR WRITTEN CONSENT, AND HAS TO BE RETURNED TO US IN CASE OF NO USAGE.

REV.	DATE	DESCRIPTION	BY	C'K'D'



CAT. NUMBER	Ø A ± 0.15	B MAX.	Ø C ± 0.15	Ø D ± 0.15	E ± 0.2
UTP6104S	26.7	23.7	10.9	12.2	19.1
UTP6125S	31.4	23.7	13.8	15.1	19.1
UTP6128S	31.4	23.7	13.8	15.1	19.1
UTP61412S	34.5	23.7	17.0	18.3	19.1
UTP61619S	37.8	23.7	19.9	21.5	19.1
UTP61823S	40.8	23.7	22.4	24.0	19.1
UTP62028S	43.9	24.9	25.6	27.2	19.1
UTP62235S	45.1	24.9	28.5	30.4	19.1
UTP62448S	50.1	26.2	31.7	33.5	19.1

MATERIAL

UTP6128S AS SHOWN

- BODY : GLASS-FILLED POLYESTER UL94-V0. COLOUR : BLACK
- BAYONET RING : GLASS-FILLED POLYESTER UL94-V0. COLOUR : BLACK
- COUPLING SPRING : SPRING STEEL

PERFORMANCE CHARACTERISTICS

- OPERATING TEMPERATURE : -25 °C TO +125 °C
- INSULATION RESISTANCE : 5000 MΩ MIN.
- TEST POTENTIAL : 2000 V EFF

NOTES

- CONNECTOR ACCEPTS = 16 STRIP FORMED SOCKET, MACHINED SOCKET AND SUBMINIATURE COAXIAL PIN AND SOCKET CONTACTS.
- CONTACTS TO BE ORDERED SEPARATELY : REFER TO TRIM - TRIO CATALOG.
- FOR OTHER INSERT ARRANGEMENTS SEE BS.C .201458.000
- MATING PART : UTP0----P OR UTP1----P

BS, A . 201766 . 004 . 0A

GEN. ST.	01	02	03	04	05	06	07	08	0D	50	60	70	80	90																
INT. ST.	10	11	12	13	14	18	20	31	32	33	34	38	39	40	42	43	44	45	46	48	56	70	72	73	75	76	81	82	83	84

1DEC ± 0.2	1DEC
2DEC ± 0.1	2DEC
ANGLES ± 1°	HOEKEN
WE RESERVE THE RIGHT TO CHANGE DIMENSIONS OR REQUIREMENTS WITHOUT PRIOR NOTICE.	

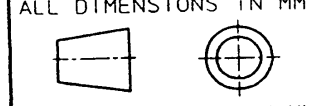
APPR.	DATE	SIGN.
DRAFT	19-04-94	J. GOOSSENS
CHECKED		
PROD. MGR.		
PR. ENG. MGR.		
PR. MGT. MGR.		

FEMALE PLUG

CAT. No. UTP6----S(H) (SEE TABLE)

FCI FRAMATOME CONNECTORS BELGIUM N V
A SPINOYSTRAAAT 8, 2800 MECHELEN

SCALE



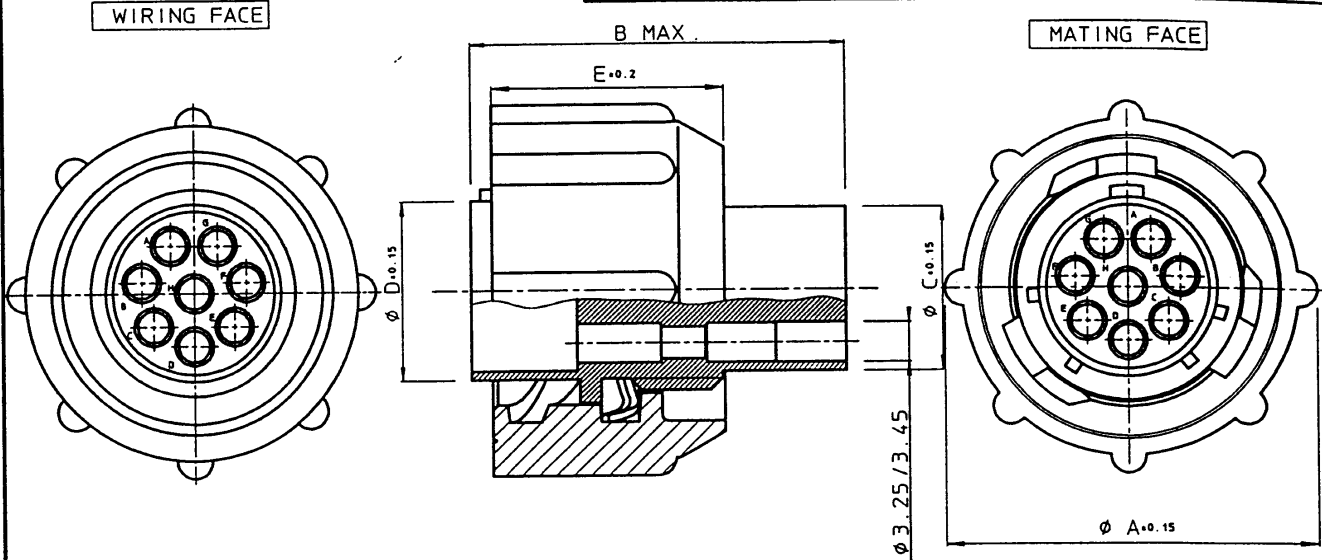
REFERENCES / REFERENTIES

BS, A . 201766 . 004 . 0A
DRAWING NR. CUSTOMER DRAWING

DIT IS DEZIE EIGENOM EN MAG NOCH INGEWAKT, HERDRUKT, OVERGEMAKT AAN
GERDEN, NOCH VOOR FABRIKATIE GEBRUIKT WORDEN, ZONDER ONZE SCHRIFTELIJKE
TOELATING. BIJ NIET GEBRUIK IS DE TERUGZENDING VERPLICHT.

THIS IS OUR EXCLUSIVE PROPERTY. IT IS NOT TO BE COPIED, REPRINTED,
OR DISCLOSED TO A THIRD PARTY, NOR USED FOR MANUFACTURING WITHOUT
OUR WRITTEN CONSENT, AND HAS TO BE RETURNED TO US IN CASE OF NO USAGE

REV.	DATE	DESCRIPTION	BY	C'K'D'



CAT. NUMBER	phi A+0.15	B MAX.	phi C+0.15	phi D+0.15	E+0.2
UTP6104P	26.7	31.8	10.9	12.2	19.1
UTP6125P	31.4	31.8	13.8	15.1	19.1
UTP6128P	31.4	31.8	13.8	15.1	19.1
UTP61412P	34.5	31.8	17.0	18.3	19.1
UTP61619P	37.8	31.8	19.9	21.5	19.1
UTP61823P	40.8	31.8	22.4	24.0	10.1
UTP62028P	43.9	31.8	25.6	27.2	19.1
UTP62235P	45.1	31.8	26.5	30.4	19.1
UTP62448P	50.1	31.8	31.7	33.5	19.1

MATERIAL

UTP6128P AS SHOWN

- BODY : GLASS-FILLED POLYESTER UL94-V0 , COLOUR : BLACK
- BAYONET RING : GLASS-FILLED POLYESTER UL94-V0, COLOUR BLACK
- COUPLING SPRING : SPRING STEEL

PERFORMANCE CHARACTERISTICS

- OPERATING TEMPERATURE : -25 °C TO +125 °C.
- INSULATION RESISTANCE : 5000 MΩ MIN.
- TEST POTENTIAL : 2000 V EFF.

NOTES

- 1 CONNECTOR ACCEPTS 16 STRIP FORMED PIN, MACHINED PIN AND SUBMINIATURE COAXIAL PIN AND SOCKET CONTACTS.
- 2 CONTACTS TO BE ORDERED SEPARATELY : REFER TO TRIM - TRIO CATALOG.
- 3.FOR OTHER INSERT ARRANGEMENTS SEE BS.C .201458.000
- 4.MATING PART : UTP0----S OR UTP1----S

BS.A , 201766 , 003 , 0A

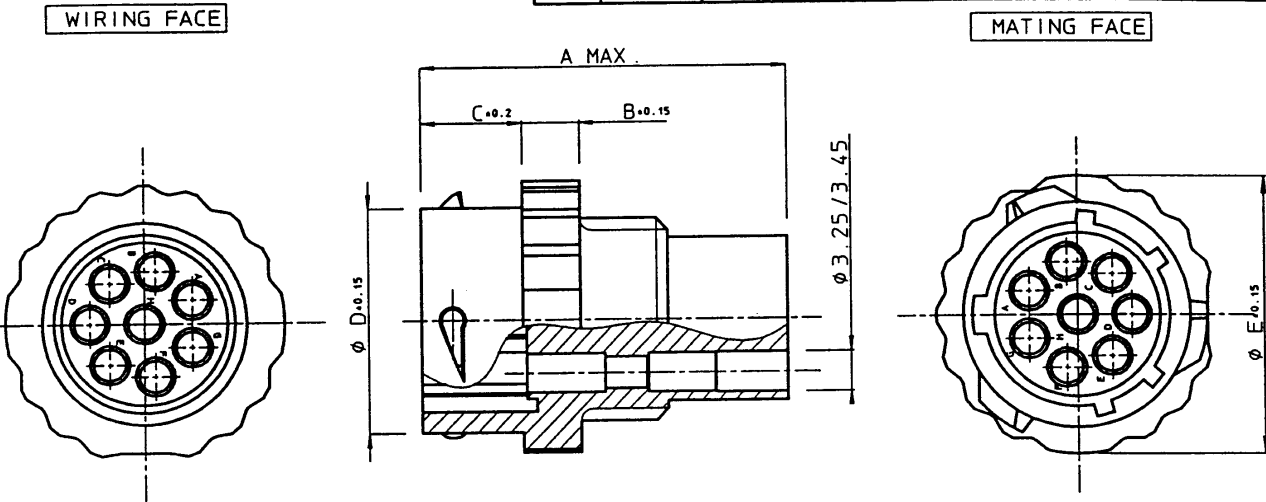
GEN. ST.	01	02	03	04	05	06	07	08	0D	50	60	70	80	90																	
INT. ST.	10	11	12	13	14	18	20	31	32	33	34	38	39	40	42	43	44	45	46	48	56	70	72	73	75	76	81	82	83	84	88

1DEC ±0.2 1DEC 2DEC ±0.1 2DEC ANGLES ±1° HOEKEN	APPR.	DATE	SIGN.	MALE PLUG
WE RESERVE THE RIGHT TO CHANGE DIMENSIONS OR REQUIREMENTS WITHOUT PRIOR NOTICE.	DRAFT	19-04-94	J.GOOSENS	CAT. No. UTP6----P(H) (SEE TABLE)
ALL DIMENSIONS IN MM	PROD. MGR.			FRAMATOME CONNECTORS BELGIUM N.V. A SPINOYSTRAAT 8, 2800 MECHELEN
ALLE AFMETINGEN IN MM	PR. ENG. MGR.			
	PR. MGT. MGR.			SCALE
REFERENCES / REFERENTIES				BS.A , 201766 , 003 , 0A DRAWING NR. CUSTOMER DRAWING

DIT IS ONZE EIGENHOOR EN MAG HOCH NAGEHAAMT. HERDRUKT, OVERGEMAAKT AAN DERDEN, NOCH VOOR FABRIKATIE GEBRUIKT WORDEN, ZONDER ONZE SCHRIFTELIJKE TOELATING. BIJ NIET GEBRUIK IS DE TEKENSCHIEDING VERPLICHT.

THIS IS OUR EXCLUSIVE PROPERTY. IT IS NOT TO BE COPIED, REPRODUCED OR DISCLOSED TO A THIRD PARTY AND NOT TO BE USED FOR MANUFACTURING WITHOUT OUR WRITTEN CONSENT. AND HAS TO BE RETURNED TO US IN CASE OF NO USAGE

REV.	DATE	DESCRIPTION	BY	C'K'D'



CAT. NUMBER	A MAX.	B±0.15	C±0.2	Ø D±0.15	Ø E±0.15
UTP1104P	31.7	5.0	8.65	15.0	19.5
UTP1125P	31.7	5.0	8.65	19.0	23.5
UTP1128P	31.7	5.0	8.65	19.0	23.5
UTP11412P	31.7	5.0	8.65	22.2	27.0
UTP11619P	31.7	5.0	8.65	25.3	30.0
UTP11823P	31.7	2.5	11.3	28.5	33.3
UTP12028P	33.3	5.0	12.05	31.7	36.5
UTP12235P	33.3	3.5	14.2	34.9	39.7
UTP12448P	33.3	5.0	13.85	38.0	42.5
* NOTE 4					

MATERIAL

UTP1128P AS SHOWN

- BODY : GLASS-FILLED POLYESTER UL94-V0
- COLOUR : BLACK.

PERFORMANCE CHARACTERISTICS

- OPERATING TEMPERATURE : -25 °C TO +125 °C.
- INSULATION RESISTANCE : 5000 MΩ MIN.
- TEST POTENTIAL : 2000 V EFF.

NOTES

- CONNECTOR ACCEPTS # 16 STRIP FORMED PIN, MACHINED PIN AND SUBMINIATURE COAXIAL PIN AND SOCKET CONTACTS.
- CONTACTS TO BE ORDERED SEPARATELY : REFER TO TRIM - TRIO CATALOG
- FOR OTHER INSERT ARRANGEMENTS SEE BS.C .201458.000
- FOR WATERPROTECTED VERSION: ADD 'H' TO THE CAT.NO. E.G. CAT.NO.: UTP1128PH
- MATING PART : UTP6----S

GEN. ST.	01	02	03	04	05	06	07	08	0D	50	60	70	80	90																	
INT. ST.	10	11	12	13	14	18	20	31	32	33	34	38	39	40	42	43	44	45	46	48	56	70	72	73	75	76	81	82	83	84	88

1DEC ±0.2 1DEC 2DEC ±0.1 2DEC ANGLES ±1° HOEKEN	APPR.	DATE	SIGN.	FREE HANGING MALE RECEPTACLE
WE RESERVE THE RIGHT TO CHANGE DIMENSIONS OR REQUIREMENTS WITHOUT PRIOR NOTICE.	DRAFT	22-4-94	J.GOOSENS	CAT. No. UTP1----P (SEE TABLE)
ALL DIMENSIONS IN MM	PROD. MGR.			FRAMATOME CONNECTORS BELGIUM N.V. A. SPINOYSTRAAAT 8, 2800 MECHELEN
ALLE AFMETINGEN IN MM	PR. ENG. MGR.			
	PR. MGT. MGR.			
	REFERENCES / REFERENTIES			
				BS,A , 201766,005,0A DRAWING NR. CUSTOMER DRAWING

BS,A , 201766,005,0A

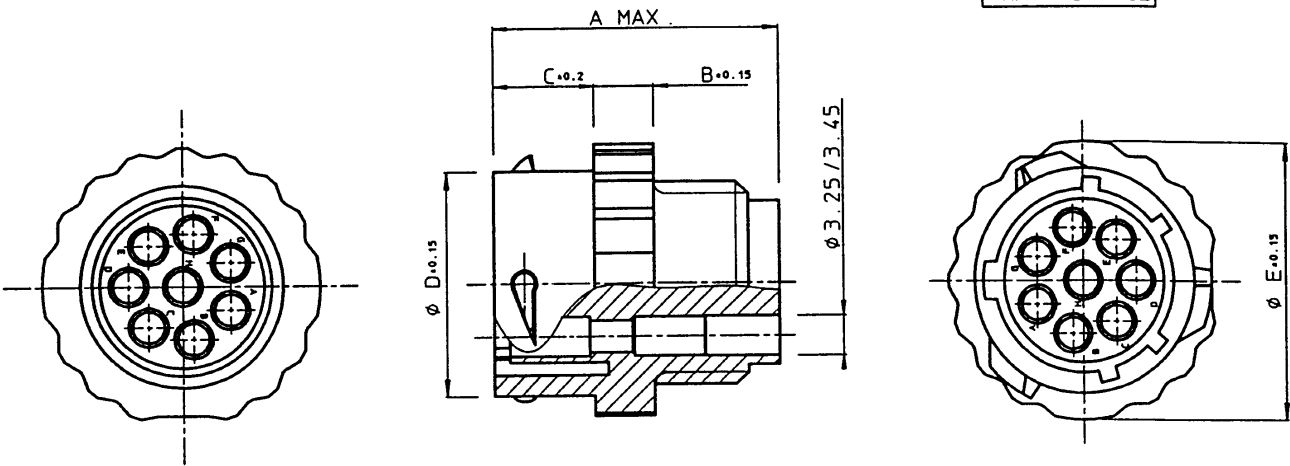
DIT IS ONZE EIGENDOM EN MAG HOCH NAEMAKAAT, HERKUNKT, OVERNEMAAKT AAN DERDEN, HOCH VOOR FABRIKATIE GEBRUIKT WORDEN, ZONDER ONZE SCHRIFTELIJKE TOELATING. BIJ NIET GEBRUIK IS DE TERUGZENDING VERPLICHT.

THIS IS OUR EXCLUSIVE PROPERTY. IT IS NOT TO BE COPIED, REPRINTED OR DISCLOSED TO A THIRD PARTY, NOR USED FOR MANUFACTURING WITHOUT OUR WRITTEN CONSENT, AND HAS TO BE RETURNED TO US IN CASE OF NO USAGE

REV.	DATE	DESCRIPTION	BY	C'K'D'

WIRING FACE

MATING FACE



CAT. NUMBER	A MAX.	B+0.15	C+0.2	Ø D+0.15	Ø E+0.15
UTP1104S	24.3	5.0	8.65	15.0	19.5
UTP1125S	24.3	5.0	8.65	19.0	23.5
UTP1128S	24.3	5.0	8.65	19.0	23.5
UTP11412S	24.3	5.0	8.65	22.2	27.0
UTP11619S	24.3	5.0	8.65	25.3	30.0
UTP11823S	24.3	2.5	14.5	31.7	36.5
UTP12028S	27.0	5.0	12.05	31.7	36.5
UTP12235S	28.0	3.5	14.5	34.9	39.7
UTP12448S	30.4	5.0	13.85	38.0	42.5
* NOTE 4					

MATERIAL

UTP1128S AS SHOWN

- BODY : GLASS-FILLED POLYESTER UL94-V0
- COLOUR : BLACK.

PERFORMANCE CHARACTERISTICS

- OPERATING TEMPERATURE : -25 °C TO +125 °C.
- INSULATION RESISTANCE : 5000 MΩ MIN.
- TEST POTENTIAL : 2000 V EFF.

NOTES

- CONNECTOR ACCEPTS # 16 STRIP FORMED SOCKET, MACHINED SOCKET AND SUBMINIATURE COAXIAL PIN AND SOCKET CONTACTS.
- CONTACTS TO BE ORDERED SEPARATELY : REFER TO TRIM - TRIO CATALOG.
- FOR OTHER INSERT ARRANGEMENTS SEE BS.C .201458.000
- FOR WATERPROTECTED VERSION: ADD 'H' TO THE CAT.NO. E.G. CAT.NO.: UTP1128SH
- MATING PART : UTP6---P

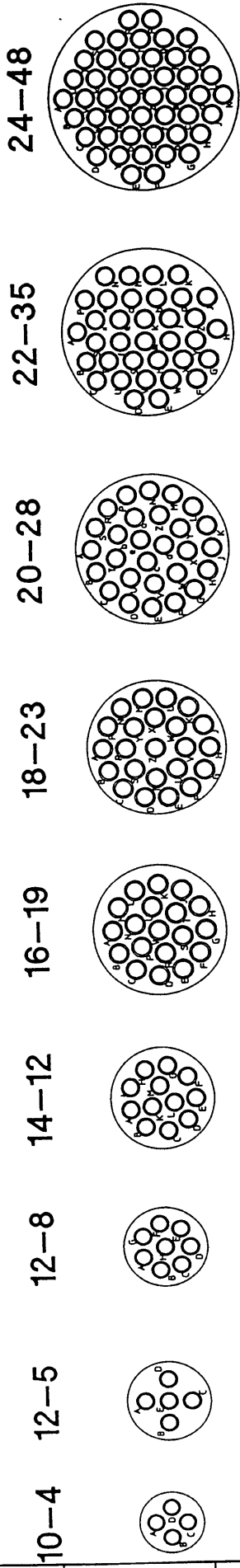
BS,A , 201766,006,0A

GEN. ST.	01	02	03	04	05	06	07	08	0D	50	60	70	80	90																	
INT. ST.	10	11	12	13	14	18	20	31	32	33	34	38	39	40	42	43	44	45	46	48	56	70	72	73	75	76	81	82	83	84	88

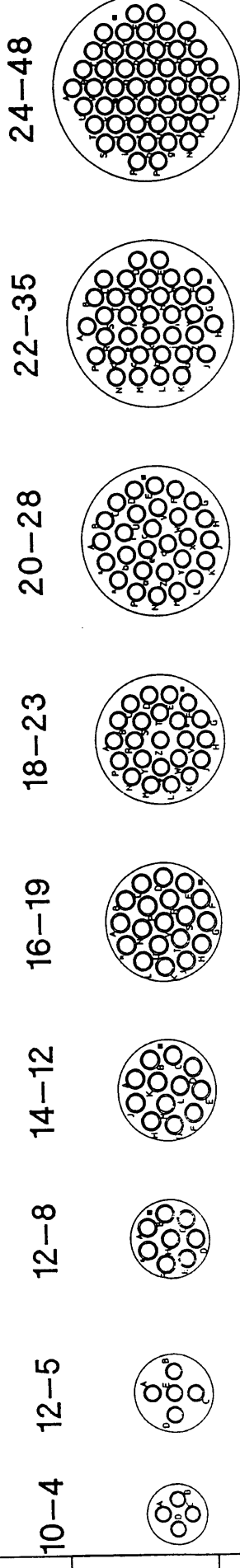
1DEC ±0.2 1DEC 2DEC ±0.1 2DEC ANGLES ±1° HOEKEN	APPR.	DATE	SIGN.	FREE HANGING FEMALE RECEPTACLE CAT. No. UTP1----S (SEE TABLE)
	DRAFT	22-4-94	J. GOOSSENS	
WE RESERVE THE RIGHT TO CHANGE DIMENSIONS OR REQUIREMENTS WITHOUT PRIOR NOTICE.	PROD. MGR.			FRAMATOME CONNECTORS BELGIUM N.V. A. SPINOYSTRAAAT 8, 2800 MECHELEN
	PR. ENG MGR.			
	PR. MGT MGR.			
ALL DIMENSIONS IN MM 	REFERENCES / REFERENTIES			SCALE
ALLE AFMETINGEN IN MM 				BS,A , 201766,006,0A DRAWING NR. CUSTOMER DRAWING

BS.C . 201458.000.01	GEN. ST.	01	02	03	04	05	06	07	08	00	50	60	70	80	90	REV.	DATE	DESCRIPTION	BY	C 'K' D'																
	INT. ST.	10	11	12	13	14	18	20	31	32	33	34	38	39	40	42	43	44	45	46	48	56	70	72	73	75	76	81	82	83	84	86	01	22.04.91	CONVERSION NEW	J.E.

FEMALE MATING FACE
MALE WIRING FACE



MALE MATING FACE
FEMALE WIRING FACE



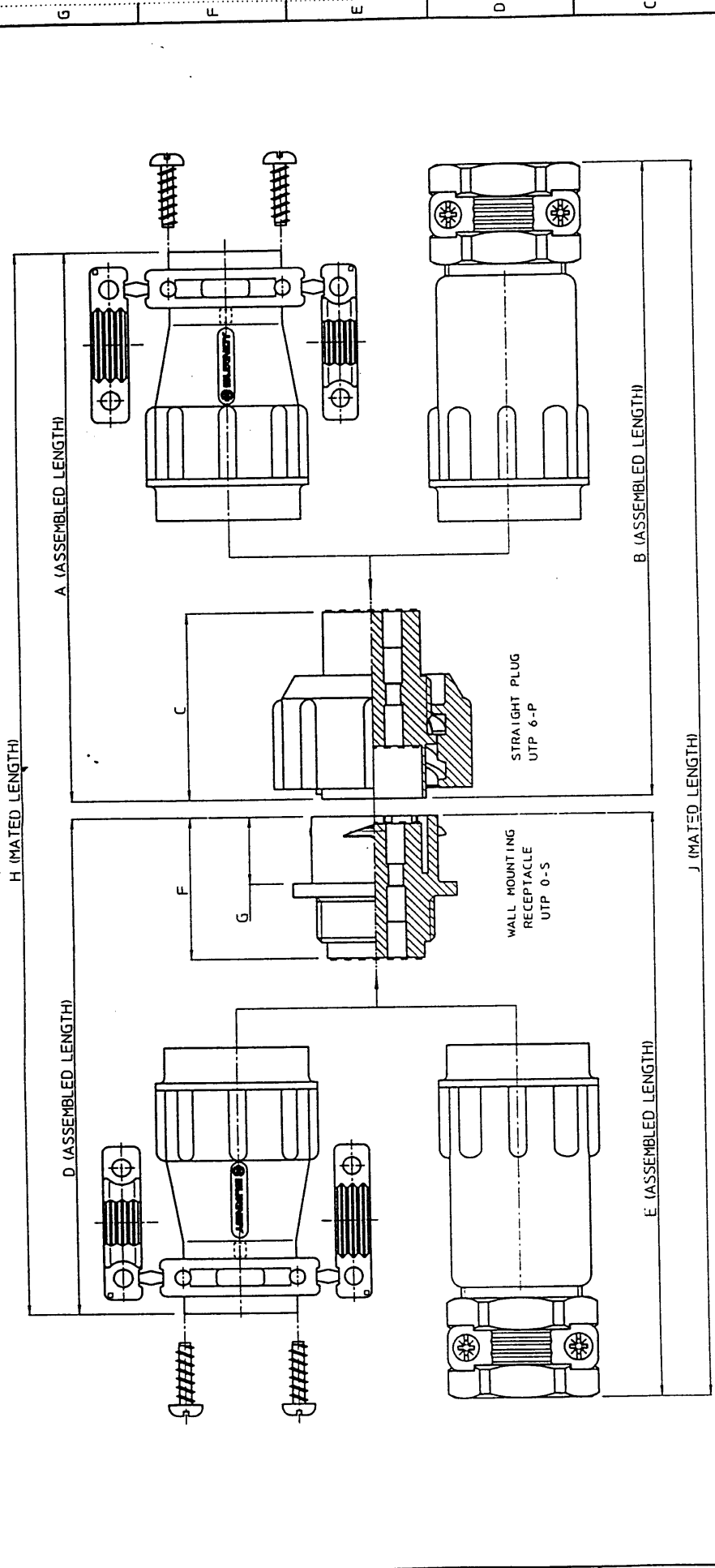
1DEC ±0.2 1DEC 2DEC ±0.1 2DEC ANGLES ±1° HOEKEN	APPR.	DATE	SIGN.	INSERT ARRANGEMENTS UTO/UTG/UTP
WE RESERVE THE RIGHT TO CHANGE DIMENSIONS ON REQUIRMENTS WITHOUT NOTICE.	DRAFT	06-05-92	T D	CAT. No. ARRANGEMENTS
ALL DIMENSIONS IN MM	CHECKED			FRAMATONE CONNECTORS BELGIUM N.V.
	PR. ENG. MGR.			F C I
	PR. MGT. MGR.			A. SPINOSSDRAAT 8, 2000 MECHELEN
	REFERENCES/REFERENTIES			INTERMEDIATE
				BS.C . 201458.000.01
				DRAWING No.
				CUSTOMER DRAWING

THIS IS OUR EXCLUSIVE PROPERTY. IT IS NOT TO BE COPIED, REPRODUCED OR USED FOR ANY PURPOSES WITHOUT OUR WRITTEN CONSENT. AND NOT TO BE RETURNED TO US IN CASE OF NO USAGE.

DIT IS ONZE EIGENDOM EN NIET TE KOPEN, REPRODUCEREN, VERVOLGEN OF ANDERZWIJZIG ANDERZWIJZIG GEBRUIKEN OF ANDERZWIJZIG GEBRUIKEN ZONDER ONZE SCHRIFTELIJKE TOESTEMMING. DIT NIET TERUG GEVEN IN GEVAL VAN NIET GEBRUIK.

BS.C. 201766.000.0A		GEN. ST.	01	02	03	04	05	06	07	08	0D	50	60	70	80	90	REV.	DATE	DESCRIPTION	BY	C.K.D.																		
		INT. ST.	10	11	12	13	14	18	20	31	32	33	34	38	39	40	42	43	44	45	46	48	49	56	70	72	73	75	76	81	82	83	84	88					

SIZE 14 AS SHOWN



MATED AND ASSEMBLED LENGTHS : SEE TRIM-TRIO CATALOG UTG L LINE

FEATURES AND BENEFITS :

- CONNECTORS AND ACCESSORIES MOULDED FROM A HIGHLY DURABLE GLASS-FILLED THERMOPLASTIC.
- UL94V0 RATED.
- SPRING LOADED PLASTIC BAYONET COUPLING SYSTEM.
- FIVE KEYS AND KEYWAYS ASSURE CORRECT MATING BETWEEN PLUG AND RECEPTACLE.
- AVAILABLE IN SIZES 10-12-14-16-18-20-22-24.
- ACCEPT TRIM-TRIO REMOVABLE SNAP-LOCK CONTACTS.
- INTERCHANGEABLE AND INTERMOUNTABLE WITH EXISTING UTG/UTO L LINE.

THIS IS AN INVENTIVE PRODUCT. IT IS NOT TO BE USED IN ANY MANNER THAT COULD BE CONSIDERED AS A SUBSTITUTE FOR THE ORIGINAL PRODUCT. THE USER SHALL BE RESPONSIBLE FOR THE PROPER USE OF THE PRODUCT. THE USER SHALL BE RESPONSIBLE FOR THE PROPER USE OF THE PRODUCT.

1DEC +0.2 IDEC	APPR.	DATE	SIGN.	MATED AND ASSEMBLED LENGTHS
2DEC +0.1 2DEC	DRAFT	22-02-90	J. GOOSSENS	CAT. No. UTP-----
ANGLES 1° HOEKEN	CHECKED			
WE RESERVE THE RIGHT TO CHANGE DIMENSIONS ON REQUISMENTS WITHOUT NOTICE	PROD. MGR			SCALE
	PR. ENG. MGR.			3 : 1
ALL DIMENSIONS IN MM	PR. MGT MGR			FRAMATOME CONNECTORS BELGIUM N V
				A PIMUTIRANT 8. 2000 MECHELEN
				FCI INTERNATIONAL
				REFERENCES/REFERENTIES
				BS.C. 201766.000.0A
				CUSTOMER DRAWING