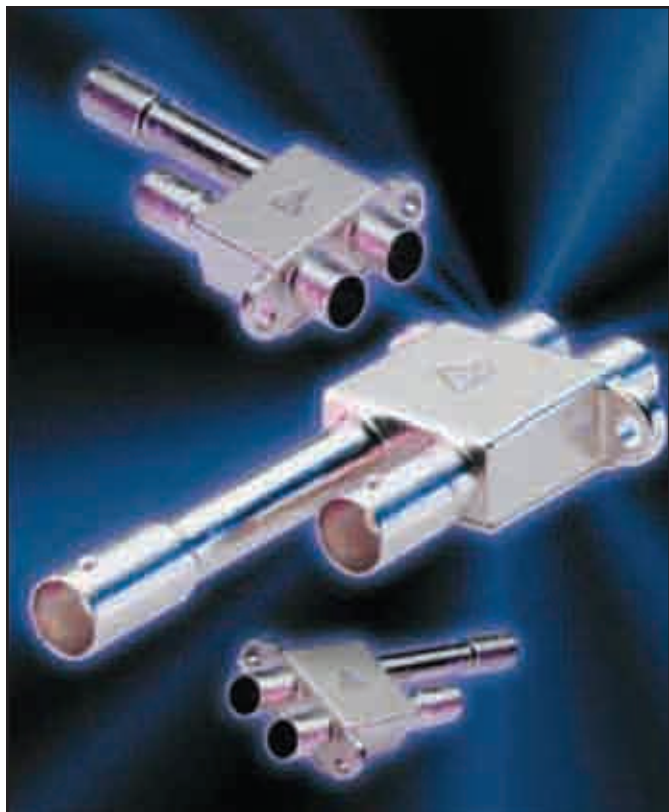


HDTV HIGH FREQUENCY MINI-WECO VIDEO PATCHING

HDTV TRANSMISSION LINE NETWORK PRODUCT SOLUTIONS—ALL TRUE 75 OHM



The **HDVDPM** is a low profile jack designed for HDTV digital applications where space allocation is critical (see Application Notes below). Smaller and with a lower profile than the standard WECO jacks, the HDVDPM allows for 128 ports in the same rack space as 48 standard jacks, a density improvement of 33% more patching.

This miniature high frequency dual coaxial normal-thru digital patch jack establishes a benchmark for superior mechanical design, wideband performance, dependability and reliability at a highly competitive price.

The HDVDPM jack incorporates an innovative and unique normal-thru contact interface that delivers superior mechanical reliability. As a result, typical normal-thru failures are eliminated. In addition, the HDVDPM is designed to meet both the time domain and frequency domain requirements mandated by SMPTE for HDTV transmission.

The Trompeter jack is designed lighter and uses fewer moving parts than other designs. The HDVDPM weighs slightly over 34 grams compared to similar competitive products weighing 81 grams on average—a weight savings of 57%. The design provides self-wiping action upon plug insertion, a proven approach for circular plug applications, eliminating the need for heavy and complex dust control plungers and multiple actuators common to other designs.

Precision construction, use of the finest materials, true impedance-matched components, and outstanding RF performance make this product a benchmark for reliability and value.

APPLICATION NOTE:

This mini-WECO patch jack is ideal for mobile video news vans, high-density in-station patching, remote site trucks, uplink/downlink stations, and cable head-ends when higher frequency, high density applications for HDTV video signals are used.

Smaller and with a lower profile than the standard WECO jack, the HDVDPM enables up to 32 jacks in a 1-RU high panel.

FEATURE

BENEFIT

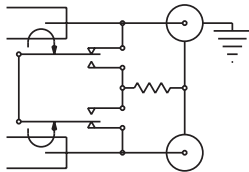
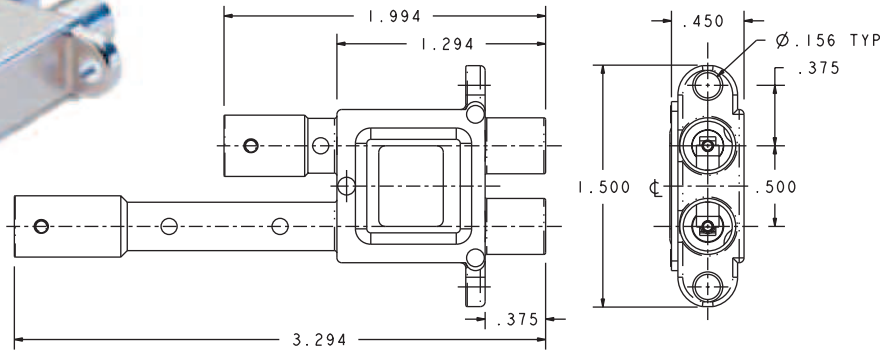
Heat-treated beryllium copper actuator, outer contact and center socket contacts	Long life, low contact resistance and consistent forces
50 millionths of an inch gold plating on center socket contacts	Excellent contact resistance over time
Dielectrics are made of Teflon™	Superior dielectric properties. Superior heat and chemical resistance.
Self-wiping normalizing switch	Positive, reliable electrical contact over time.
Low profile rugged die cast body	Long life normal-thru and terminating contacts in a light-weight package

HDTV HIGH FREQUENCY MINI-WECO VIDEO PATCHING

HDTV TRANSMISSION LINE NETWORK PRODUCT SOLUTIONS—ALL TRUE 75 OHM

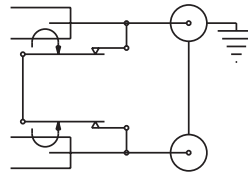
75 Ohm High Frequency Dual Coaxial
Normal-Thru Mini-WECO Patch Jack

Un-Terminated **HDVDPM**
Terminated **HDVDPMT**



HDVDPMT (Self-terminating)

Inserting a plug into the source side automatically terminates the load side. Insertion into the load side automatically terminates the source side. Either provides a resistive load to the unused side.



HDVDPM (Non-terminated)

Inserting a plug into either side breaks the normalthrough. Normal-thru is BNC to BNC.

Electrical Data

Characteristic Impedance	75 ohms nominal
Return Loss	Meets or exceeds the requirements of the following: SMPTE 292: S1, 1 < 15db from 5MHz to 1.485GHz SMPTE 424: S1, 1 < 15dB from 5MHz to 1.485 GHz, S1, 1 <10dB from 1,485GHz to 3GHz
Time Domain Requirements	Meets or exceeds SMPTE 292 & 424
Termination Resistor	75 ohms

Mechanical Data

Weight	34.2 grams
--------	------------

Material Data

Connector Housing	Zinc alloy, NI plated
Actuator and Center Conductors	Beryllium copper
Connector Dielectrics	PTFE

