

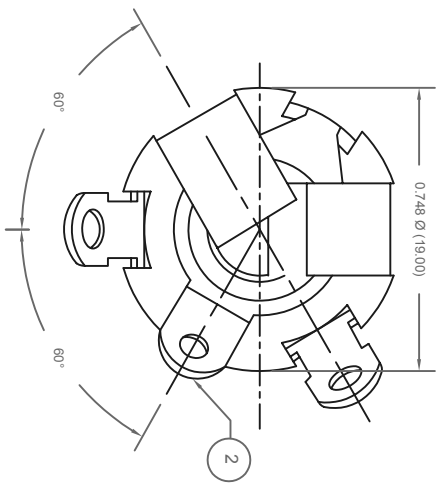
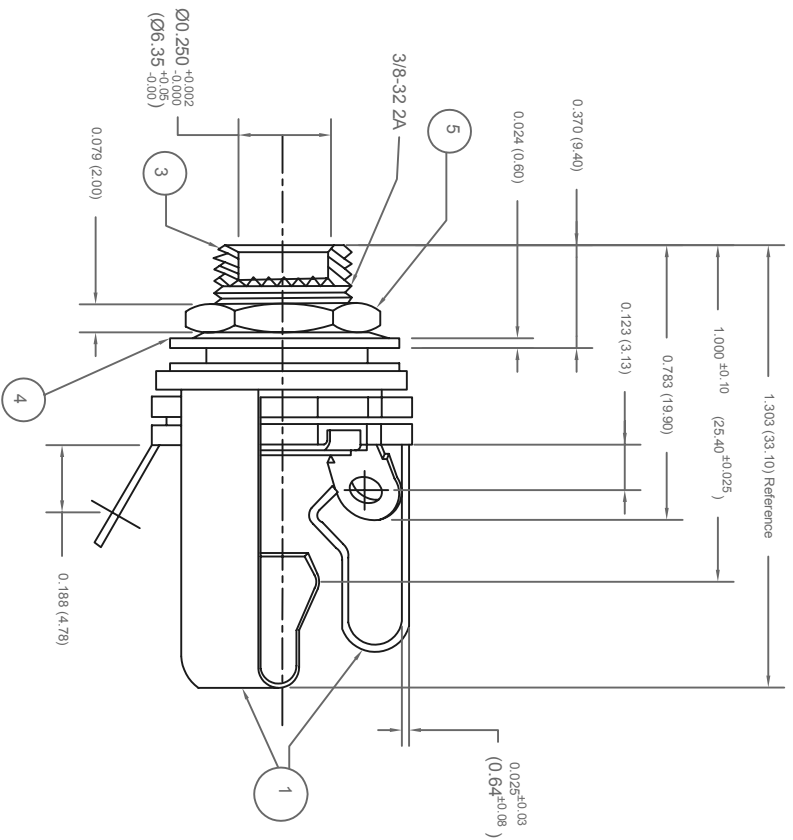
ALL RIGHTS RESERVED. NO PORTION OF THIS PUBLICATION, WHETHER IN WHOLE OR IN PART CAN BE REPRODUCED WITHOUT THE EXPRESS WRITTEN CONSENT OF SPC TECHNOLOGY.

SPC-F005.DWG

REVISIONS		DOC. NO.	SPC-F005	Effective:	7/8/02	DCP No:	1398
DCP #	REV	DESCRIPTION	DRAWN	DATE	CHECKD	DATE	APPRVD
			ARN	05-10-10	JAG	05-10-10	XXX
							20-10-10

Unless Otherwise specified, All Dimensions are in Inches with Metric in Brackets.

TO 2 DEC. PLS. ±
TO 3 DEC. PLS. ±0.015(0.381)
As Angles. ±



Dimensions : Inches (mm)

Description	Part Number
3 Cond Phone Jack	SPC21395

Note:

1. Phone Jack Shall meet the requirements of specification SR11110

Item	Description	Quantity	Material/Finish
1	Springs	2	Bronze , Tin Plated
2	Terminal	1	Brass, Tin Plated
3	Mounting Bush	1	Brass, Nickel Plated
4	Washer	1	Steel, Nickel Plated
5	Hex Nut 3/8-32	1	Brass, Nickel Plated

Part Number Table

DISCLAIMER:
ALL STATEMENTS AND TECHNICAL INFORMATION CONTAINED HEREIN ARE BASED UPON INFORMATION AND/OR TESTS WE BELIEVE TO BE ACCURATE AND RELIABLE. SINCE CONDITIONS OF USE ARE BEYOND OUR CONTROL, THE USER SHALL DETERMINE THE SUITABILITY OF THE PRODUCT FOR THE INTENDED USE AND ASSUME ALL RISK AND LIABILITY WHATSOEVER IN CONNECTION THEREWITH.

TOLERANCES:

DRAWN BY:	ARN	DATE:	05-10-10
CHECKED BY:	JAG	DATE:	05-10-10
APPROVED BY:	XXX	DATE:	20-10-10

DRAWING TITLE: 3 Conductor Phone Jack

SIZE	DWG. NO.	ELECTRONIC FILE	REV
XXX	SPC21395	11M0590	A
SCALE:	NTS	U.O.M.: INCHES [mm]	SHEET: 1 OF 1