

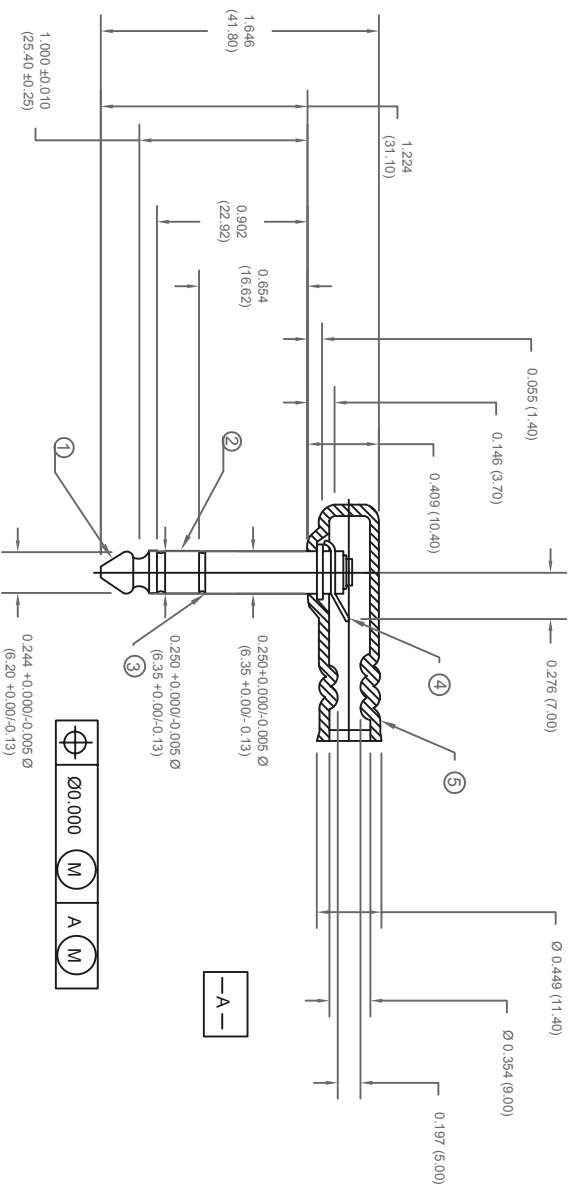
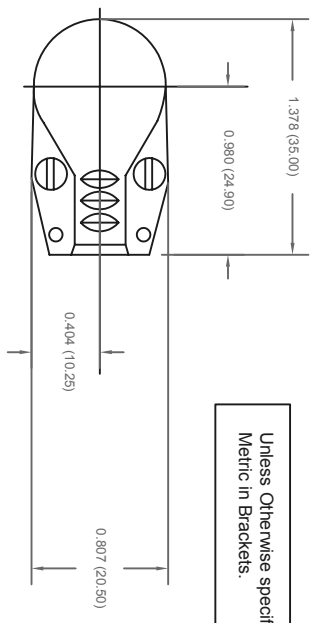
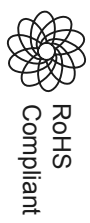
ALL RIGHTS RESERVED. NO PORTION OF THIS PUBLICATION, WHETHER IN WHOLE OR IN PART CAN BE REPRODUCED WITHOUT THE EXPRESS WRITTEN CONSENT OF SPC TECHNOLOGY.

SPC-F005.DWG

REVISIONS		DOC. NO.	PLS. ±	Effective:	DCP No.			
DCP #	REV	DESCRIPTION	DRAWN	DATE	CHECKD	DATE	APPRVD	DATE
			SHA	05-10-10	JAG	05-10-10	XXX	20-10-10

Unless Otherwise specified, All Dimensions are in Inches with Metric in Brackets.

TO 2 DEC. PLS. ±  
TO 3 DEC. PLS. ±0.015(0.38)  
As Angles. ±



⊕	⊕	⊕	⊕
Ø0.005	M	A	M

-A-

Item	Description	QTY	Material/Finish
1	Tip	1	Brass, Nickel Plated
2	Ring	1	Brass, Nickel Plated
3	Sleeve	1	Brass, Nickel Plated
4	Terminal	1	Brass, Tin Plated
5	Housing	1	Steel, Nickel Plated

**Part Number Table**

Description	Part Number
Right Angle Phone Plug	SPC21389

Dimensions : Inches (mm)

**DISCLAIMER:**  
ALL STATEMENTS AND TECHNICAL INFORMATION CONTAINED HEREIN ARE BASED UPON INFORMATION AND/OR TESTS WE BELIEVE TO BE ACCURATE AND RELIABLE. SINCE CONDITIONS OF USE ARE BEYOND OUR CONTROL, THE USER SHALL DETERMINE THE SUITABILITY OF THE PRODUCT FOR THE INTENDED USE AND ASSUME ALL RISK AND LIABILITY WHATSOEVER IN CONNECTION THEREWITH.

**TOLERANCES:**  
UNLESS OTHERWISE SPECIFIED, DIMENSIONS ARE FOR REFERENCE PURPOSES ONLY.

<b>DRAWN BY:</b>	SHA	<b>DATE:</b>	05-10-10
<b>CHECKED BY:</b>	JAG	<b>DATE:</b>	05-10-10
<b>APPROVED BY:</b>	XXX	<b>DATE:</b>	20-10-10

<b>DRAWING TITLE:</b>		<b>Right Angle Phone Plug</b>	
<b>SIZE</b>	XXX	<b>DWG. NO.</b>	SPC21389
<b>SCALE:</b>	NTS	<b>U.O.M.:</b>	INCHES [mm]
<b>SHEET:</b>	1	<b>OF</b>	1
<b>ELECTRONIC FILE</b>	11M0584	<b>REV</b>	A