

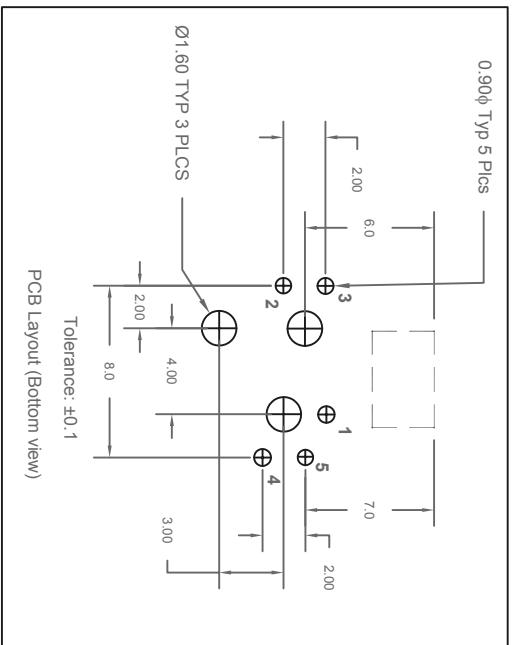
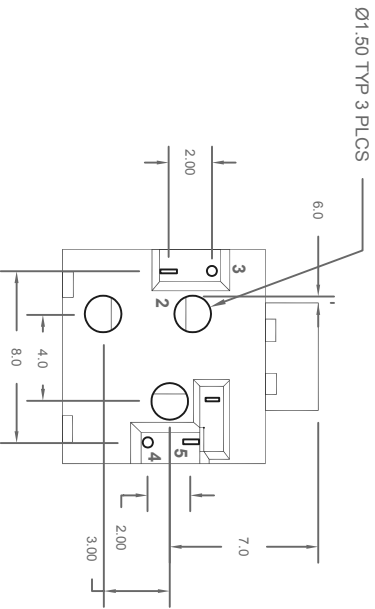
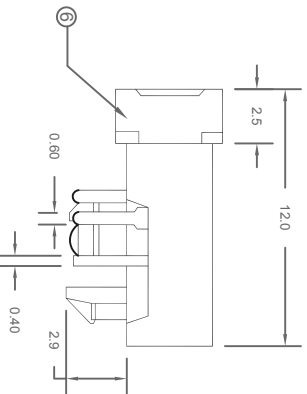
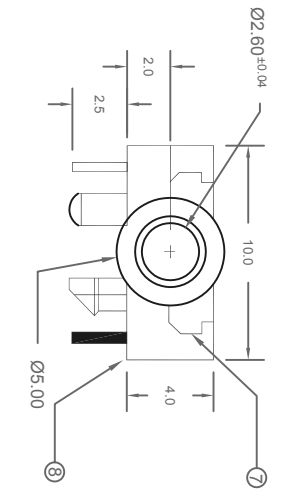
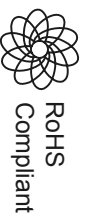
ALL RIGHTS RESERVED. NO PORTION OF THIS PUBLICATION, WHETHER IN WHOLE OR IN PART CAN BE REPRODUCED WITHOUT THE EXPRESS WRITTEN CONSENT OF SPC TECHNOLOGY.

SPC-F005.DWG

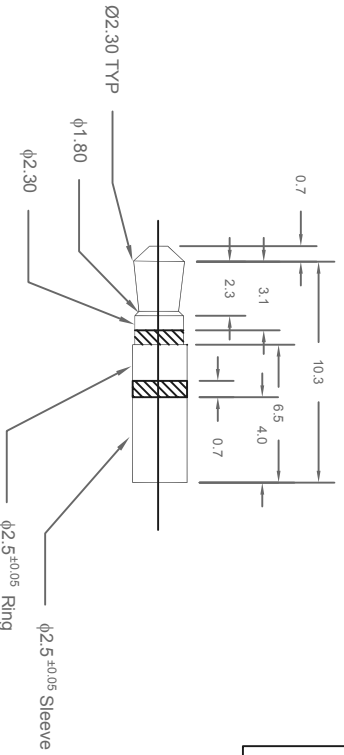
REVISIONS

DCP #	REV	DESCRIPTION	DRAWN	DATE	CHECKD	DATE	APPRVD	DATE
			SDH	05-10-10	JAG	05-10-10	XXX	20-10-10

DOC. NO. SPC-F005 * Effective: 7/8/02 * DCP No: 1398



Dimensions : Inches (mm)



TOLERANCES:

DISCLAIMER:
ALL STATEMENTS AND TECHNICAL INFORMATION CONTAINED HEREIN ARE BASED UPON INFORMATION AND/OR TESTS WE BELIEVE TO BE ACCURATE AND RELIABLE. SINCE CONDITIONS OF USE ARE BEYOND OUR CONTROL, THE USER SHALL DETERMINE THE SUITABILITY OF THE PRODUCT FOR THE INTENDED USE AND ASSUME ALL RISK AND LIABILITY WHATSOEVER IN CONNECTION THEREWITH.

UNLESS OTHERWISE SPECIFIED, DIMENSIONS ARE FOR REFERENCE PURPOSES ONLY.

DRAWN BY:

DATE:

DRAWING TITLE:

Audio Jack

ELECTRONIC FILE

REV

CHECKED BY:

DATE:

DWG. NO.

SPC21358

11M0553

A

APPROVED BY:

DATE:

SCALE:

NTS

U.O.M.: INCHES [mm]

SHEET:

1

OF 1

SDH

05-10-10

XXX

SPC21358

11M0553

A

SDH

05-10-10

XXX

SPC21358

11M0553

A

SDH

05-10-10

XXX

SPC21358

11M0553

A

SDH

05-10-10

XXX

SPC21358

11M0553

A

SDH

05-10-10

XXX

SPC21358

11M0553

A

SDH

05-10-10

XXX

SPC21358

11M0553

A

SDH

05-10-10

XXX

SPC21358

11M0553

A

SDH

05-10-10

XXX

SPC21358

11M0553

A

SDH

05-10-10

XXX

SPC21358

11M0553

A

SDH

05-10-10

XXX

SPC21358

11M0553

A

SDH

05-10-10

XXX

SPC21358

11M0553

A

SDH

05-10-10

XXX

SPC21358

11M0553

A

SDH

05-10-10

XXX

SPC21358

11M0553

A

SDH

05-10-10

XXX

SPC21358

11M0553

A

SDH

05-10-10

XXX

SPC21358

11M0553

A

SDH

05-10-10

XXX

SPC21358

11M0553

A

SDH

05-10-10

XXX

SPC21358

11M0553

A

SDH

05-10-10

XXX

SPC21358

11M0553

A

SDH

05-10-10

XXX

SPC21358

11M0553

A

SDH

05-10-10

XXX

SPC21358

11M0553

A

SDH

05-10-10

XXX

SPC21358

11M0553

A

SDH

05-10-10

XXX

SPC21358

11M0553

A

SDH

05-10-10

XXX

SPC21358

11M0553

A

SDH

05-10-10

XXX

SPC21358

11M0553

A

SDH

05-10-10

XXX

SPC21358

11M0553

A

SDH

05-10-10

XXX

SPC21358

11M0553

A

SDH

05-10-10

XXX

SPC21358

11M0553

A

SDH

05-10-10

XXX

SPC21358

11M0553

A

SDH

05-10-10

XXX

SPC21358

11M0553

A

SDH

05-10-10

XXX

SPC21358

11M0553

A

SDH

05-10-10

XXX

SPC21358

11M0553

A

SDH

05-10-10

XXX

SPC21358

11M0553

A

SDH

05-10-10

XXX

SPC21358

11M0553

A

SDH

05-10-10

XXX

SPC21358

11M0553

A

SDH

05-10-10

XXX

SPC21358

11M0553

A

SDH

05-10-10

XXX

SPC21358

11M0553

A

SDH

05-10-10

XXX

SPC21358

11M0553

A

SDH

05-10-10

XXX

SPC21358

11M0553

A

SDH

05-10-10

XXX

SPC21358

11M0553

A

SDH

05-10-10

XXX

SPC21358

11M0553

A

SDH

05-10-10

XXX

SPC21358

11M0553

A

SDH

05-10-10

XXX

SPC21358

11M0553

A

SDH

05-10-10

XXX

SPC21358

11M0553

A



SPC
TECHNOLOGY

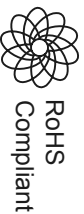
ALL RIGHTS RESERVED. NO PORTION OF THIS PUBLICATION, WHETHER IN WHOLE OR IN PART CAN BE REPRODUCED WITHOUT THE EXPRESS WRITTEN CONSENT OF SPC TECHNOLOGY.

SPC-F005.DWG

REVISIONS

DCP #	REV	DESCRIPTION	DRAWN	DATE	CHECKD	DATE	APPRVD	DATE
			SDH	05-10-10	JAG	05-10-10	XXX	20-10-10

DOC. NO. SPC-F005 * Effective: 7/8/02 * DCP No: 1398



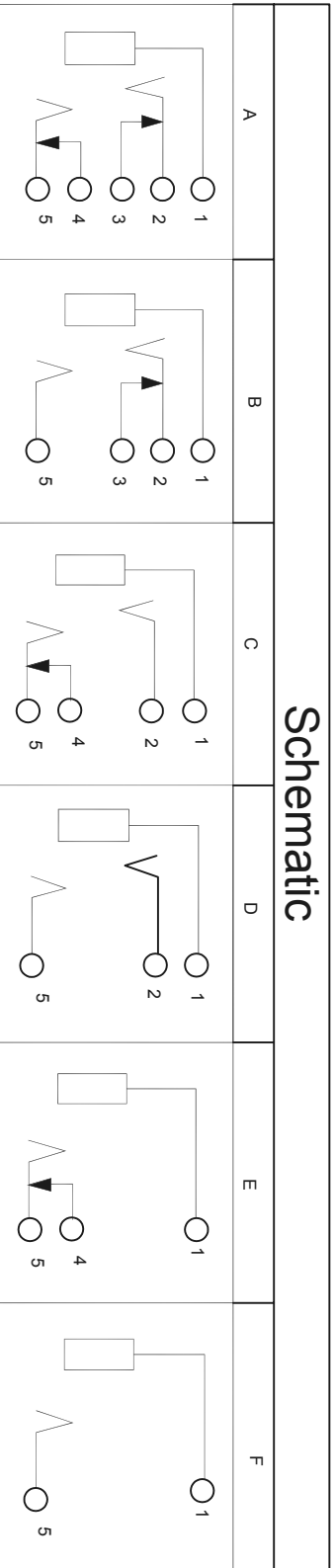
Item	Description	Material/Finish
1	Sleeve	Phosphor Bronze - Tin Plated
2	Ring	Phosphor Bronze - Tin Plated
3	Ring Shunt	Phosphor Bronze - Tin Plated
4	Tip Shunt	Phosphor Bronze - Tin Plated
5	Tip	Phosphor Bronze - Tin Plated
6	Bushing	Brass - Nickel Plated
7	Cover	Nylon - Black
8	Housing	Nylon - Black

Specifications

Electrical
 Contact Resistance : 30 Milliohms maximum.
 Insulation Resistance : 100 Mega ohms minimum AT 500VDC.
 Dielectric Strength : 500 VAC FOR 1 Minute.

Mechanical
 Life : 5000 Cycles.
 Insertion Force : 0.3 - 2.0 Kg.
 Withdrawal Force : 0.3 - 2.0 Kg.

Schematic



Note: 'X' In Part Number Denotes Schematic

Part Number Table

Description	Part Number
Audio Jack	SPC21358

TOLERANCES:

UNLESS OTHERWISE SPECIFIED, DIMENSIONS ARE FOR REFERENCE PURPOSES ONLY.

DRAWN BY:

DATE:

DRAWING TITLE:

Audio Jack

ELECTRONIC FILE

REV

CHECKED BY:

DATE:

DWG. NO.

SPC21358

11M0553

A

JAG

DATE:

SIZE

XXX

SCALE:

NTS

SHEET:

1 OF 1

DISCLAIMER:
 ALL STATEMENTS AND TECHNICAL INFORMATION CONTAINED HEREIN ARE BASED UPON INFORMATION AND/OR TESTS WE BELIEVE TO BE ACCURATE AND RELIABLE. SINCE CONDITIONS OF USE ARE BEYOND OUR CONTROL, THE USER SHALL DETERMINE THE SUITABILITY OF THE PRODUCT FOR THE INTENDED USE AND ASSUME ALL RISK AND LIABILITY WHATSOEVER IN CONNECTION THEREWITH.

XXX

20-10-10

SCALE:

NTS

SHEET:

1 OF 1

1

1