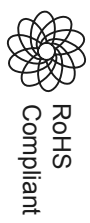


ALL RIGHTS RESERVED. NO PORTION OF THIS PUBLICATION, WHETHER IN WHOLE OR IN PART CAN BE REPRODUCED WITHOUT THE EXPRESS WRITTEN CONSENT OF SPC TECHNOLOGY.

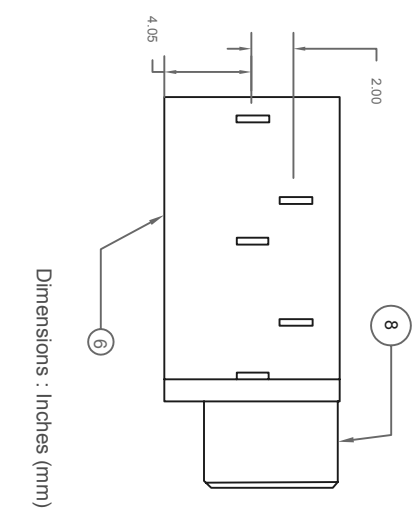
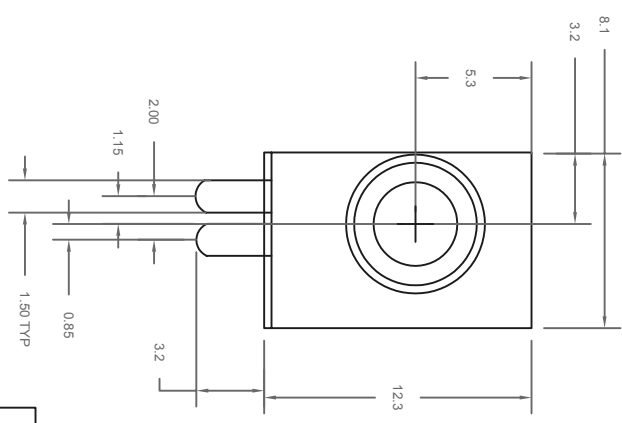
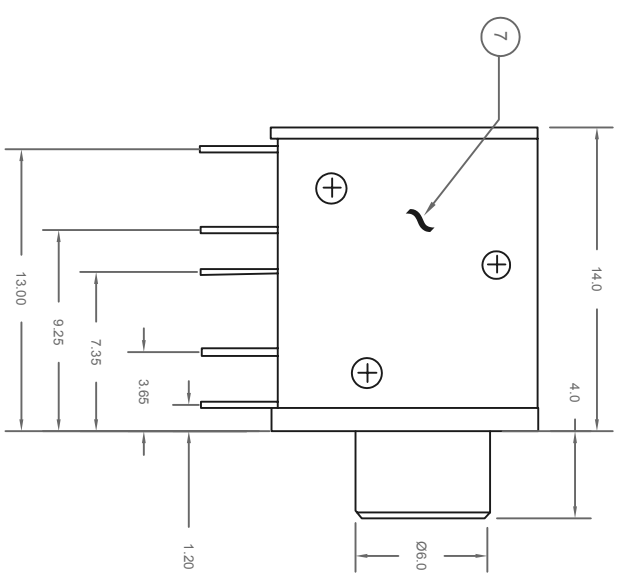
SPC-F005.DWG

REVISIONS		DOC. NO.	DATE	CHECKD	DATE	APPRVD	DATE
DCP #	REV	DESCRIPTION	VEE	05-10-10	JAG	05-10-10	XXX

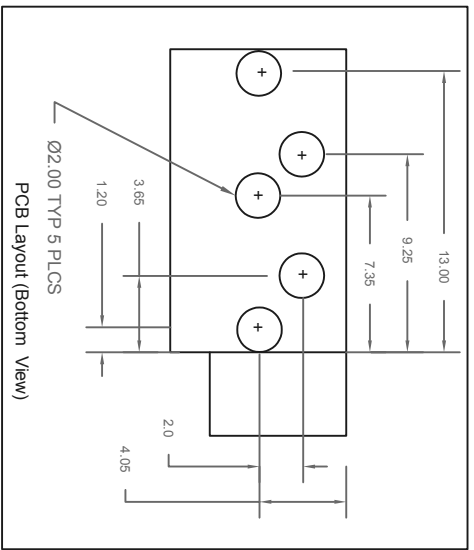
DOC. NO. SPC-F005 * Effective: 7/8/02 * DCP No: 1398



Unless Otherwise specified, All Dimensions are in Metric.
TO 1 DEC. PLS. ± 3
TO 3 DEC. PLS. ± 0.13
As Angles ± 1/2°



Dimensions : Inches (mm)



Note: T = Threaded Bushing (M6xP0.5)
N = Non Threaded Bushing

DISCLAIMER:
ALL STATEMENTS AND TECHNICAL INFORMATION CONTAINED HEREIN ARE BASED UPON INFORMATION AND/OR TESTS WE BELIEVE TO BE ACCURATE AND RELIABLE. SINCE CONDITIONS OF USE ARE BEYOND OUR CONTROL, THE USER SHALL DETERMINE THE SUITABILITY OF THE PRODUCT FOR THE INTENDED USE AND ASSUME ALL RISK AND LIABILITY WHATSOEVER IN CONNECTION THEREWITH.

TOLERANCES:
UNLESS OTHERWISE SPECIFIED, DIMENSIONS ARE FOR REFERENCE PURPOSES ONLY.

DRAWN BY:	DATE:
VEE	05-10-10
CHECKED BY:	DATE:
JAG	05-10-10
APPROVED BY:	DATE:
XXX	20-10-10

DRAWING TITLE:		SIZE		DWG. NO.		ELECTRONIC FILE	
3.5mm Audio Jack		XXX		SPC21338		11M0533	
SCALE:		U.O.M.:		SHEET:		REV	
NTS		INCHES [mm]		1 OF 1		A	



SPC
TECHNOLOGY

ALL RIGHTS RESERVED. NO PORTION OF THIS PUBLICATION, WHETHER IN WHOLE OR IN PART CAN BE REPRODUCED WITHOUT THE EXPRESS WRITTEN CONSENT OF SPC TECHNOLOGY.
SPC-F005.DWG

REVISIONS		DOC. NO.	DATE	CHECKD	DATE	APPRVD	DATE
DCP #	REV	DESCRIPTION	DRAWN	VEE	05-10-10	JAG	05-10-10
				XXX	20-10-10		

REVISIONS

DESCRIPTION

DOC. NO. SPC-F005 * Effective: 7/8/02 * DCP No: 1398

Specifications

Electrical

Contact Resistance: 30 Milliohms maximum
Insulation Resistance: 100 Mega ohms minimum AT 500VDC
Dielectric Strength: 500 VAC FOR 1 Minute

Mechanical

Insertion Force: 0.3 to 2.0 KG
Withdrawal Force: 0.3 to 2.0 KG
Operating Life: 5000 Cycles

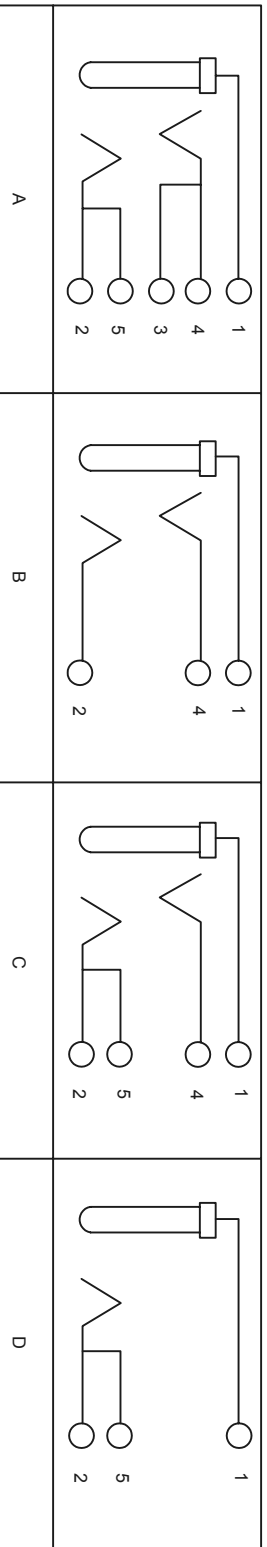


RoHS
Compliant

Item	Description	Material/Finish
1	Sleeve	Brass 0.3mm Thick - Silver Plated
2	Tip	Phosphor Bronze 0.25mm Thick - Silver Plated
3	Shunt Terminal - A	Brass 0.3mm Thick - Silver Plated
4	Ring	Phosphor Bronze 0.25mm Thick - Silver Plated
5	Shunt Terminal - B	Brass 0.3mm Thick - Silver Plated
6	Housing	PBT - Black, UL94V-0
7	Cover	PC - Transparent
8	Bushing	Brass - Tin Plated

Part Number Table

Description	Part Number
3mm Audio Jack	SPC21338
3mm Audio Jack	SPC21339
3mm Audio Jack	SPC21341
3mm Audio Jack	SPC21342
3mm Audio Jack	SPC21343



Schematic

TOLERANCES:

UNLESS OTHERWISE SPECIFIED, DIMENSIONS ARE FOR REFERENCE PURPOSES ONLY.

DRAWN BY:

VEE

DATE:

05-10-10

DRAWING TITLE:

3.5mm Audio Jack

SIZE

XXX

ELECTRONIC FILE

11M0533

REV

A

DISCLAIMER:
ALL STATEMENTS AND TECHNICAL INFORMATION CONTAINED HEREIN ARE BASED UPON INFORMATION AND/OR TESTS WE BELIEVE TO BE ACCURATE AND RELIABLE. SINCE CONDITIONS OF USE ARE BEYOND OUR CONTROL, THE USER SHALL DETERMINE THE SUITABILITY OF THE PRODUCT FOR THE INTENDED USE AND ASSUME ALL RISK AND LIABILITY WHATSOEVER IN CONNECTION THEREWITH.

UNLESS OTHERWISE SPECIFIED, DIMENSIONS ARE FOR REFERENCE PURPOSES ONLY.

DRAWN BY:

VEE

DATE:

05-10-10

DRAWING TITLE:

3.5mm Audio Jack

SIZE

XXX

ELECTRONIC FILE

11M0533

REV

A

DISCLAIMER:
ALL STATEMENTS AND TECHNICAL INFORMATION CONTAINED HEREIN ARE BASED UPON INFORMATION AND/OR TESTS WE BELIEVE TO BE ACCURATE AND RELIABLE. SINCE CONDITIONS OF USE ARE BEYOND OUR CONTROL, THE USER SHALL DETERMINE THE SUITABILITY OF THE PRODUCT FOR THE INTENDED USE AND ASSUME ALL RISK AND LIABILITY WHATSOEVER IN CONNECTION THEREWITH.

UNLESS OTHERWISE SPECIFIED, DIMENSIONS ARE FOR REFERENCE PURPOSES ONLY.

DRAWN BY:

XXX

DATE:

20-10-10

DRAWING TITLE:

3.5mm Audio Jack

SIZE

XXX

ELECTRONIC FILE

11M0533

REV

A