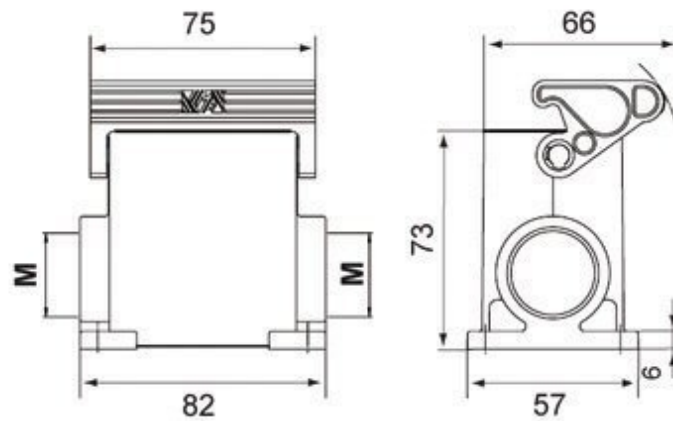


Product Sheet

Part Number: TMAV 06 L25



Dimensions in mm



Family	TC - TM insulating enclosures	
Version	insulating version	
Series	hoods for single lever	
Product type	with 2 pegs	
Type	top entry	
IP degree of protection	IP65 (EN 60529) degree of protection	(UL Type 12)
Cable entry	M 25	
Fixing centre distance	size "44.27"	
Material	insulating	
Notes	The enclosures ensure IP protection rating when mated and locked. To be complete with cable glands.	

The information and the dimensions are not binding and may be changed without prior notice.