

AFBR-79Q4Z, AFBR-79Q4Z-D

InfiniBand 4x QDR

QSFP Pluggable, Parallel Fiber-Optics Module



Product Brief



Description

The Avago Technologies AFBR-79Q4Z is a Four-Channel, Pluggable, Parallel, Fiber-Optic QSFP Transceiver for QDR InfiniBand and proprietary applications. This transceiver is a high performance module for short-range multi-lane data communication and interconnect applications. It integrates four data lanes in each direction with 40 Gbps aggregate bandwidth. Each lane can operate at 10 Gbps up to 100 m using OM3 fiber. These modules are designed to operate over multimode fiber systems using a nominal wavelength of 850nm. The electrical interface uses a 38-contact edge type connector. The optical interface uses an 8 or 12 fiber MTP® (MPO) connector. This module incorporates Avago Technologies proven integrated circuit and VCSEL technology to provide reliable long life, high performance, and consistent service.

Part Number Ordering Information

QDR 10G InfiniBand	AFBR-79Q4Z
QDR 10G InfiniBand with DMI	AFBR-79Q4Z-D

Applications

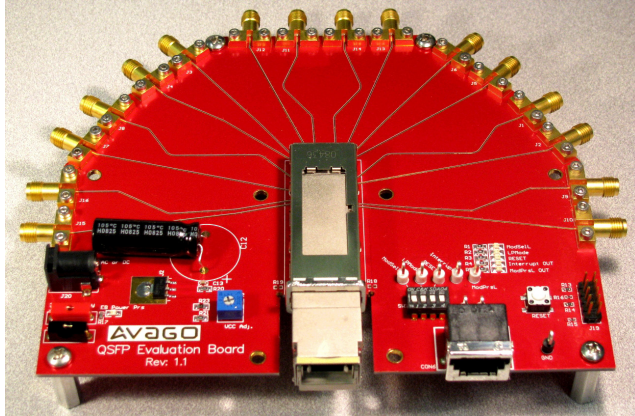
- InfiniBand QDR (4 x 10G), DDR (4 x 5G) and SDR (4 x 2.5G) interconnects
- High Performance and High Productivity computer interconnects
- Data Aggregation, Backplane and Proprietary Density Applications
- PCI-Express, SAS/SATA, Fibre Channel compatible interconnect
- Datacom and Telecom switch and router backplane connections

Features

- Compliant to the InfiniBand Architecture Release 1.2.1 QDR Specification
- Compliant to the industry standard INF-8436i QSFP Transceiver Specification Revision 1.0
- High Channel Capacity: up to 40 Gbps per module, bi-directional operation
- Operates up to 10 Gbps with 8b/10b compatible coded data
- Backwards compatible to 5Gbps DDR IB and 2.5 Gbps SDR IB
- 0 to 70°C case temperature operating range
- Proven High Reliability 850 nm technology: Avago Technologies VCSEL array transmitter and Avago Technologies PIN array receiver
- High port density: 21mm horizontal port pitch
- Up to 100m links at 10G/channel using OM3 multimode fiber
- Four independent transmitter channels and 4 independent receiver channels per module
- Two Wire Serial (TWS) interface with maskable interrupt for expanded functionality including:
 - Individual channel functions: disable, squelch disable
 - A/D readback: module temperature and supply voltages, per channel laser current and laser power, or received power
 - Status: per channel Tx fault, electrical (transmitter) or optical (receiver) LOS, and alarm flags

Evaluation Kit

This Evaluation kit provides the designer with a convenient way to evaluate Avago Technologies AFBR-79Q4Z QSFP and AFBR-79Q4Z-D Transceiver modules. The designer can evaluate the management interface, as well as the electrical and optical performance of the QSFP transceiver module.



Part Number Ordering Information

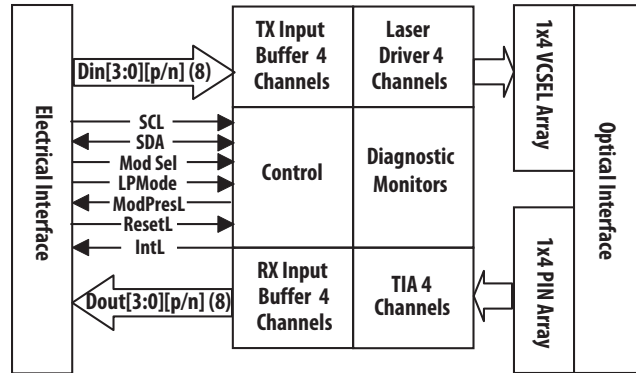
Evaluation Board AFBR-79Q4EKZ*

Evaluation Kit AFBR-79Q2EKZ**

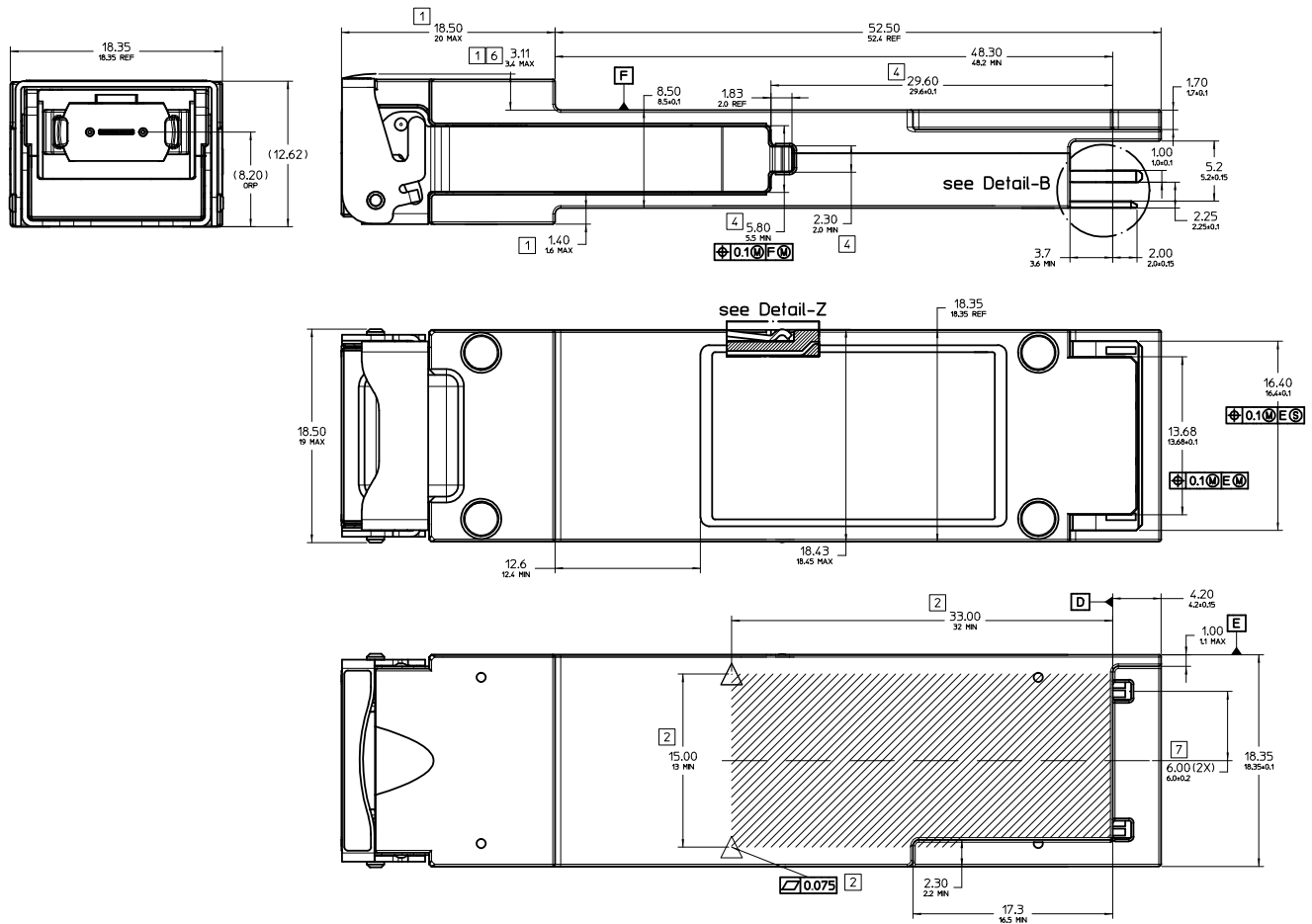
* Includes GUI and User Guide

** Includes GUI, User Guide, i-Port and Power Supply

Transceiver Block Diagram



Mechanical Dimensions



For product information and a complete list of distributors, please go to our web site: www.avagotech.com

Avago, Avago Technologies, and the A logo are trademarks of Avago Technologies in the United States and other countries. Data subject to change. Copyright © 2005-2009 Avago Technologies. All rights reserved. AV02-1839EN - September 18, 2009

