



# BU941ZP BU941ZPFI

## HIGH VOLTAGE IGNITION COIL DRIVER NPN POWER DARLINGTON TRANSISTORS

- n VERY RUGGED BIPOLAR TECHNOLOGY
- n BUILT IN CLAMPING ZENER
- n HIGH OPERATING JUNCTION TEMPERATURE
- n FULLY INSULATED PACKAGE (U.L. COMPLIANT) FOR EASY MOUNTING

### APPLICATION

- n HIGH RUGGEDNESS ELECTRONIC IGNITIONS

### DESCRIPTION

The devices are bipolar Darlington transistors manufactured using Multi-Epitaxial Planar technology. They have been properly designed to be used in Automotive environment as electronic ignition power actuators.

Figure 1: Package

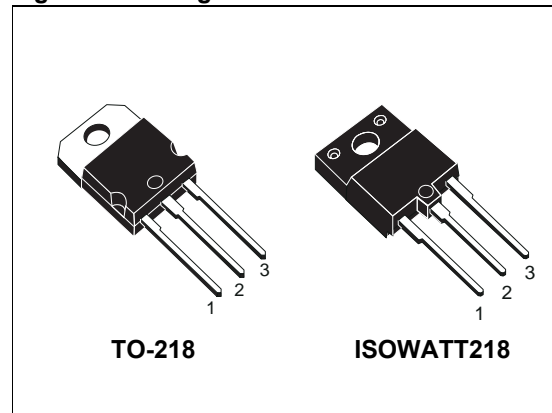


Figure 2: Internal Schematic Diagram

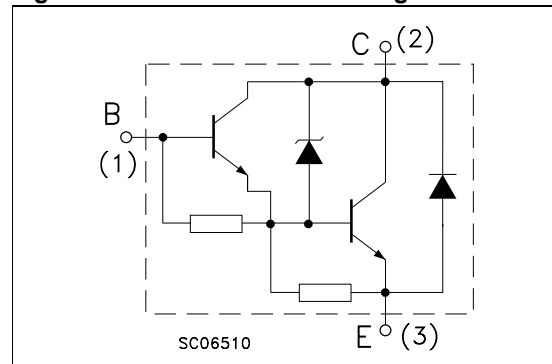


Table 1: Order Code

Part Number	Marking	Package	Packaging
BU941ZP	BU941ZP	TO-218	TUBE
BU941ZFI	BU941ZPFI	ISOWATT218	TUBE

## BU941ZP BU941ZPFI

**Table 2: Absolute Maximum Ratings**

Symbol	Parameter	Value		Unit
		BU941ZP	BU941ZPFI	Unit
$V_{CEO}$	Collector-Emitter Voltage ( $I_B = 0$ )	350		V
$V_{EBO}$	Emitter-Base Voltage ( $I_C = 0$ )	5		V
$I_C$	Collector Current	15		A
$I_{CM}$	Collector Peak Current ( $t_p < 5\text{ms}$ )	30		A
$I_B$	Base Current	1		A
$I_{BM}$	Base Peak Current ( $t_p < 5\text{ms}$ )	5		A
$P_{tot}$	Total Dissipation at $T_C = 25\text{ }^\circ\text{C}$	155	65	W
$V_{isol}$	Insulation Withstand Voltage (RMS) from All Three Leads to External Heatsink	2500		V
$T_{stg}$	Storage Temperature	-65 to 175	-65 to 175	$^\circ\text{C}$
$T_J$	Max. Operating Junction Temperature	175	175	$^\circ\text{C}$

**Table 3: Thermal Data**

		TO-218	ISOWATT218	Unit
$R_{thj-case}$	Thermal Resistance Junction-Case Max	0.97	2.3	$^\circ\text{C/W}$

**Table 4: Electrical Characteristics ( $T_{case} = 25\text{ }^\circ\text{C}$  unless otherwise specified)**

Symbol	Parameter	Test Conditions	Min.	Typ.	Max.	Unit
$I_{CEO}$	Collector Cut-off Current ( $I_B = 0$ )	$V_{CE} = 300\text{ V}$			100	$\mu\text{A}$
		$V_{CE} = 300\text{ V}$ $T_J = 125\text{ }^\circ\text{C}$			0.5	mA
$I_{EBO}$	Emitter Cut-off Current ( $I_C = 0$ )	$V_{EB} = 5\text{ V}$			20	mA
$V_{CL}^*$	Clamping Voltage	$I_C = 100\text{ mA}$	350		500	V
$V_{CE(sat)}^*$	Collector-Emitter Saturation Voltage	$I_C = 8\text{ A}$ $I_B = 100\text{ mA}$			1.8	V
		$I_C = 10\text{ A}$ $I_B = 250\text{ mA}$			1.8	V
		$I_C = 12\text{ A}$ $I_B = 300\text{ mA}$			2	V
$V_{BE(sat)}^*$	Base-Emitter Saturation Voltage	$I_C = 8\text{ A}$ $I_B = 100\text{ mA}$			2.2	V
		$I_C = 10\text{ A}$ $I_B = 250\text{ mA}$			2.5	V
		$I_C = 12\text{ A}$ $I_B = 300\text{ mA}$			2.7	V
$h_{FE}^*$	DC Current Gain	$I_C = 5\text{ A}$ $V_{CE} = 10\text{ V}$	300			
	Functional Test	$V_{CC} = 24\text{ V}$ $L = 7\text{ mH}$ (see fig. 12)	10			A
$t_s$ $t_f$	INDUCTIVE LOAD Storage Time Fall Time	$V_{CC} = 12\text{ V}$ $L = 7\text{ mH}$ $V_{BE(off)} = 0\text{ V}$ $R_{BE} = 47\text{ }\Omega$		15		$\mu\text{s}$
		$V_{Clamp} = 300\text{ V}$ $I_C = 7\text{ A}$ $I_B = 70\text{ mA}$ (see fig. 14)		0.5		$\mu\text{s}$
$V_F$	Diode Forward Voltage	$I_F = 10\text{ V}$			2.5	V

\* Pulsed: Pulsed duration = 300  $\mu\text{s}$ , duty cycle  $\leq 1.5\%$ .

Figure 3: Safe Operating Area

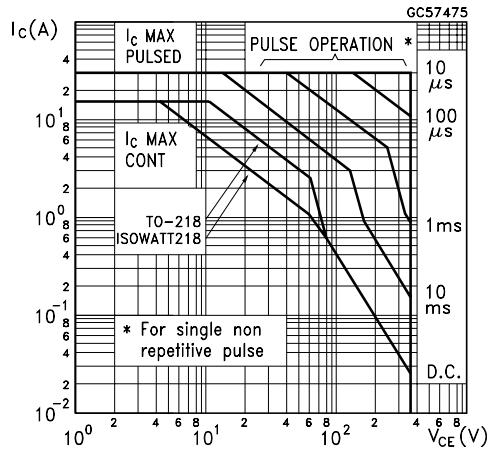


Figure 4: DC Current Gain

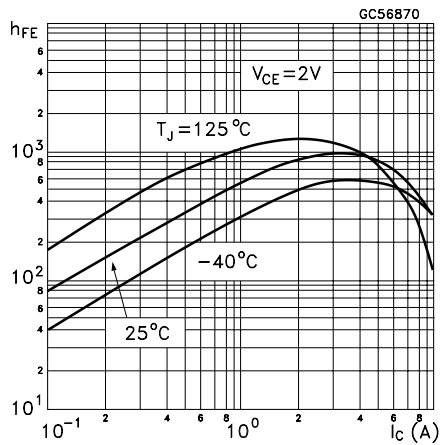


Figure 5: Collector-Emitter Saturation Voltage

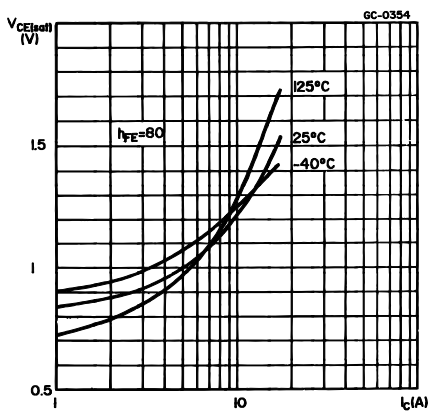


Figure 6: Derating Curves

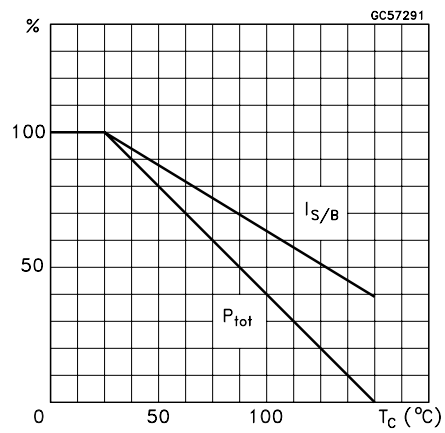


Figure 7: DC Current Gain

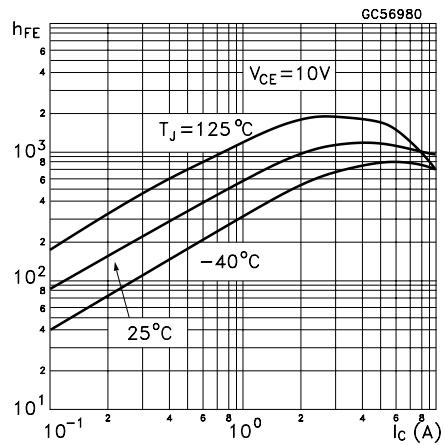


Figure 8: Collector-Emitter Saturation Voltage

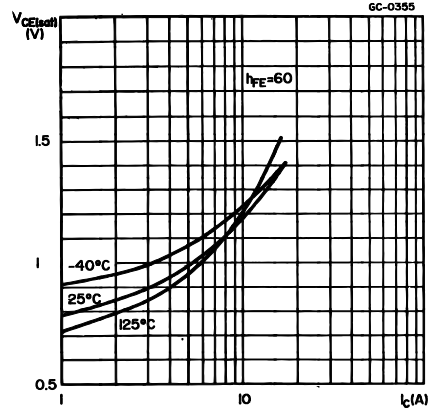


Figure 9: Base-Emitter Saturation Voltage

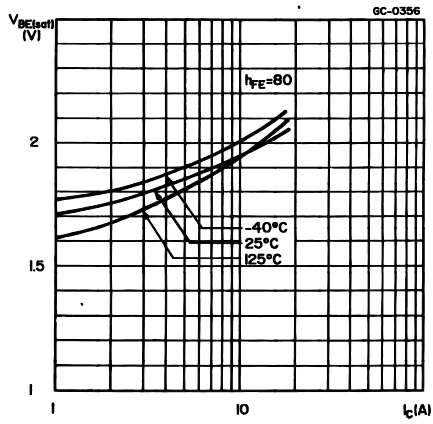


Figure 11: Base-Emitter Saturation Voltage

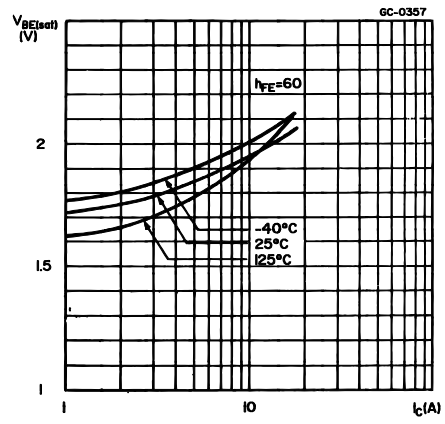


Figure 10: Collector-Emitter Saturation Voltage

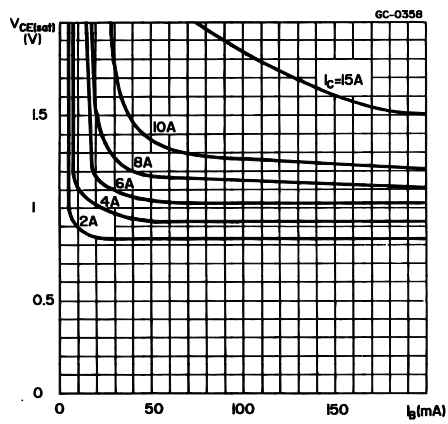


Figure 12: Functional Test Circuit

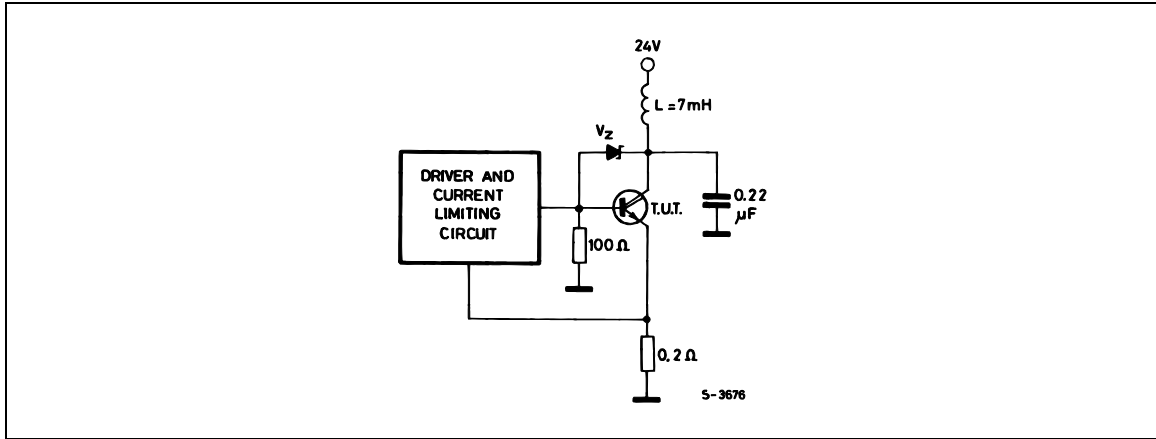


Figure 13: Functional Test Waveforms

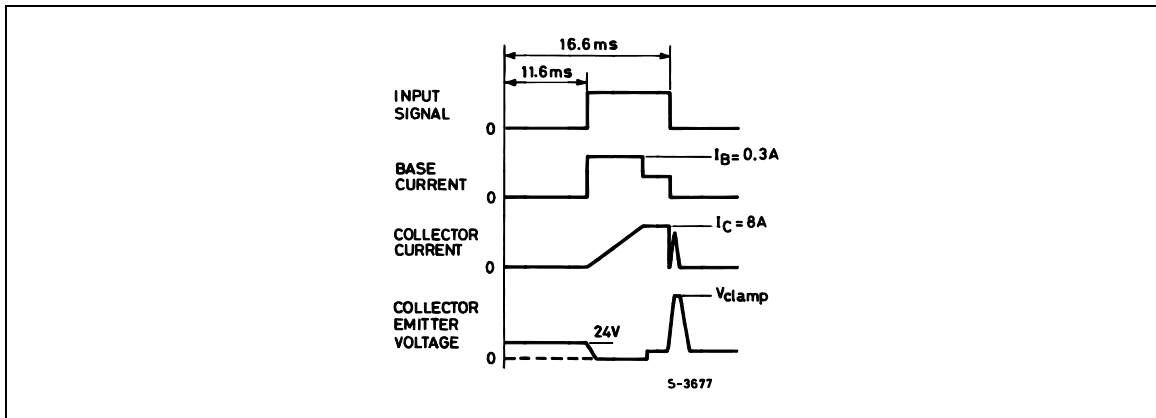
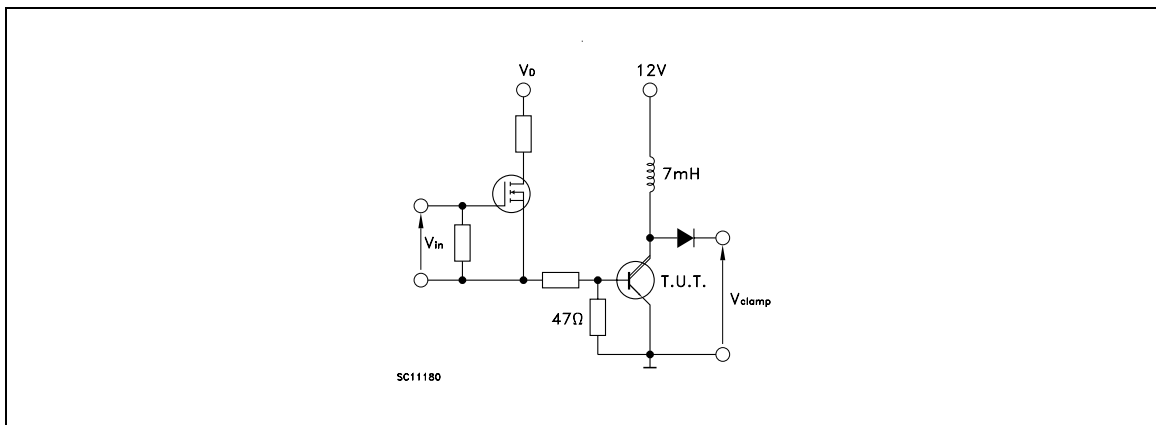
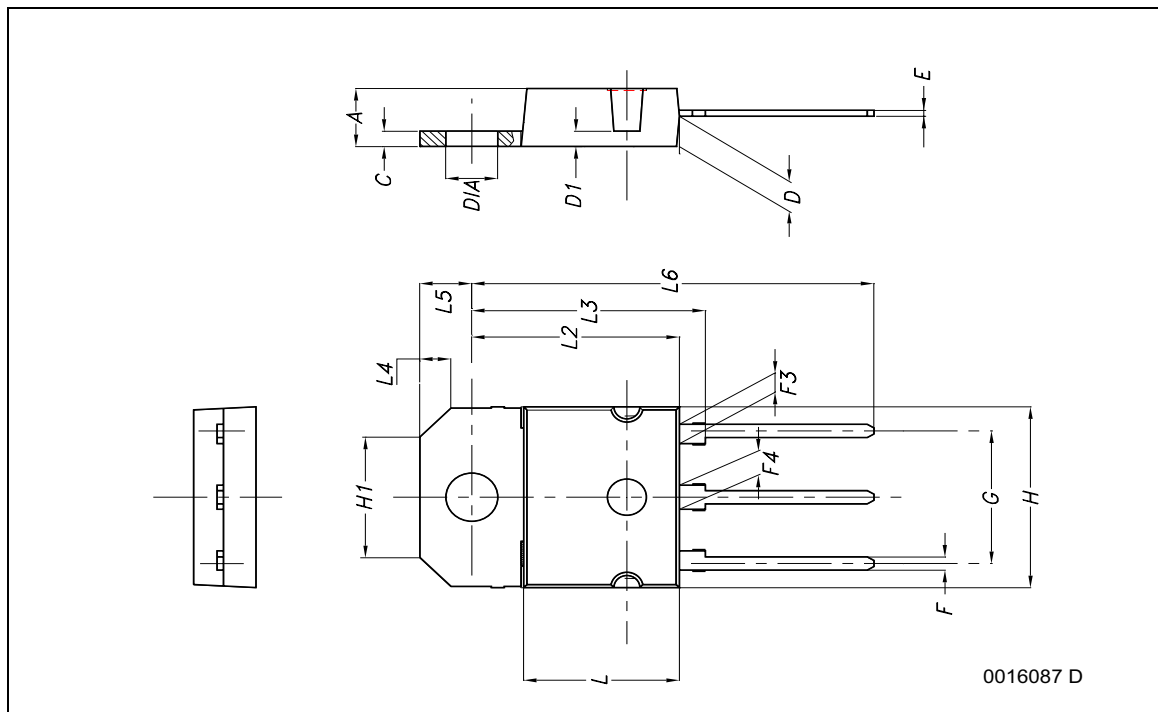


Figure 14: Switching Time Test Circuit



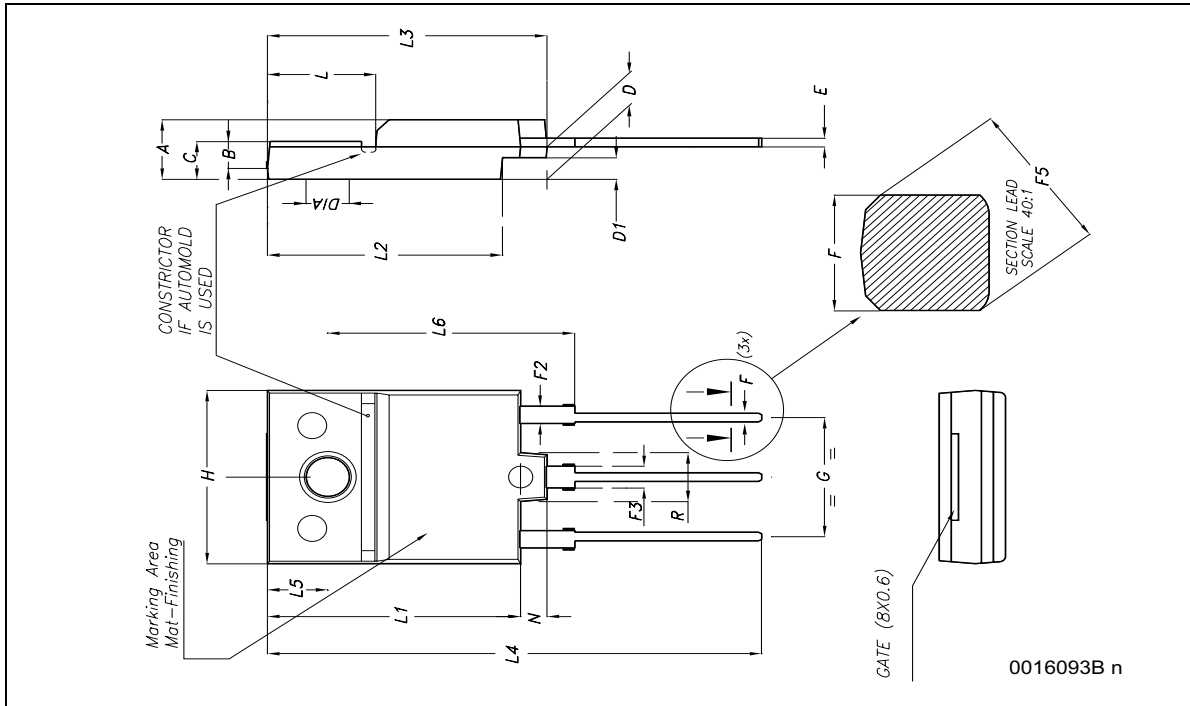
TO-218 (SOT-93) MECHANICAL DATA

DIM.	mm.		
	MIN.	TYP	MAX.
A	4.70		4.90
C	1.17		1.37
D		2.50	
D1		1.27	
E	0.50		0.78
F	1.10		1.30
F3		1.75	
F4		2.10	
G	10.80		11.10
H	14.70		15.20
H1		10.00	
L			12.20
L2			16.20
L3		18.00	
L4		2.40	
L5	3.95		4.15
L6		31.00	
Dia	4.00		4.10



**ISOWATT218 (option "B") MECHANICAL DATA**

DIM.	mm.		
	MIN.	TYP	MAX.
A	5.35		5.65
B		2.5	
C	3.30		3.80
D	2.90		3.10
D1	1.88		2.08
E	0.75		0.95
F	0.75		0.95
F2	1.50		1.85
F3	1.90		2.20
F5			1.10
G	10.80		11.20
H	15.80		16.20
L		9	
L1	20.80		21.20
L2	19.10		19.90
L3	22.80		23.60
L4	40.50		42.50
L5	4.85		5.25
L6	20.25		20.75
N	2.0		2.40
R		4.6	
Dia	3.50		3.70



## BU941ZP BU941ZPFI

---

**Table 5: Revision History**

<b>Date</b>	<b>Release</b>	<b>Change Designator</b>
22-Apr-2002	4	Fourth Release
09-Sep-2004	5	Fifth Release
03-Feb-2005	6	Mechanical Data has been updated



Information furnished is believed to be accurate and reliable. However, STMicroelectronics assumes no responsibility for the consequences of use of such information nor for any infringement of patents or other rights of third parties which may result from its use. No license is granted by implication or otherwise under any patent or patent rights of STMicroelectronics. Specifications mentioned in this publication are subject to change without notice. This publication supersedes and replaces all information previously supplied. STMicroelectronics products are not authorized for use as critical components in life support devices or systems without express written approval of STMicroelectronics.

The ST logo is a registered trademark of STMicroelectronics  
All other names are the property of their respective owners

© 2005 STMicroelectronics - All Rights Reserved

STMicroelectronics group of companies

Australia - Belgium - Brazil - Canada - China - Czech Republic - Finland - France - Germany - Hong Kong - India - Israel - Italy - Japan -  
Malaysia - Malta - Morocco - Singapore - Spain - Sweden - Switzerland - United Kingdom - United States of America  
**www.st.com**

