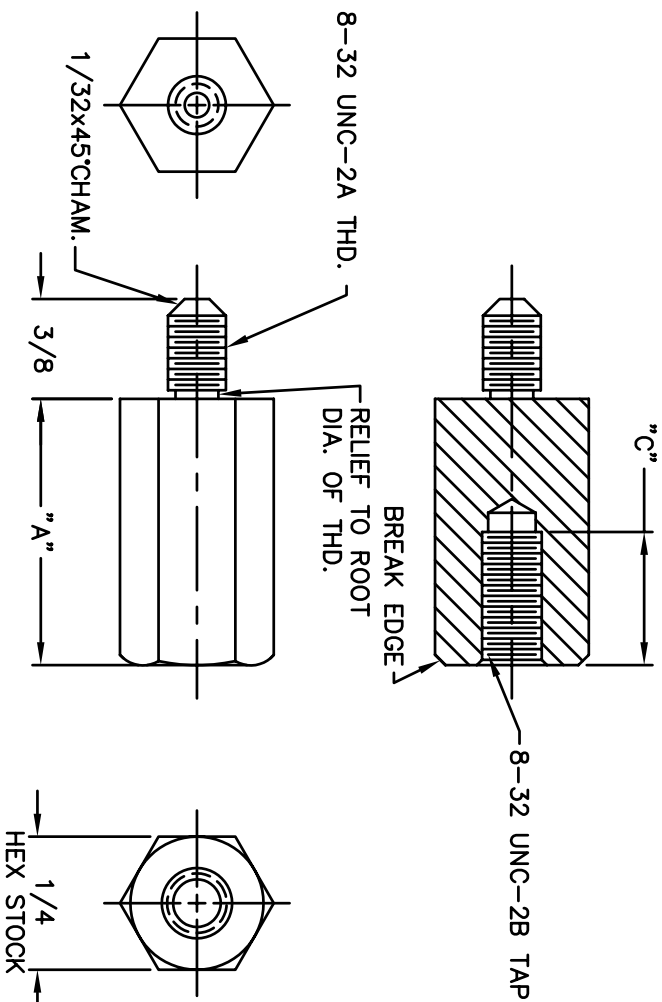


REVISIONS		REVISED DATE	APPR
SYM	DESCRIPTION		

FULL SECTION



STANDOFF		
PART NO.	LENGTH	"C" NO. THDS
8280	.250	3-4
8281	.375	6-7
8282	.500	10-11
8283	.625	12-13
8284	.750	12-13
8285	.875	12-13
8286	1.000	12-13
8287	1.125	12-13
8288	1.250	12-13
8289	1.375	12-13
8290	1.500	12-13
8291	1.625	12-13
8292	1.750	12-13
8293	2.000	12-13
8294	2.500	12-13
8295	3.000	12-13

MATERIAL: BRASS-ALLOY 360-1/2 HARD		FINISH: NICKEL	
DIMENSIONAL TOLERANCES UNLESS OTHERWISE SPECIFIED		TITLE: 8280-8295	
XX	XXX	BRASS HEX MALE/FEMALE STANDOFF	
---	---	Electronic Connectors and Hardware	
---	---	13680 S. MOSERTOWN RD	
---	---	MEADVILLE, PA 16335	
FRAGMENTS	ANGLES	SCALE	4X
HEAT TREAT:	---	DRAWN:	T. LORD
DATE:	01/7/03	CHECKED:	T. LORD
DATE:	01/7/03	APPROVED:	T. LORD
DATE:	01/7/03	DATE:	01/7/03
PLOT SCALE:	1=1	SIZE:	B
DRAWING NUMBER		SD: 8280-8295	
ISSUED		F	

ABBATRON

Electronic Connectors and Hardware
13680 S. MOSERTOWN RD
MEADVILLE, PA 16335