

Enclosed or L Bracket
PCB Mount
Non Isolated

DC-DC Selector

Nominal Input Voltage	# of Outputs	Output Power (W)								
		3	10	30	50	100	150	300	600	
5V	Single	CC-E								
		iAC, iBA								
5V	Dual	CC-E								
	12V	Single	CC-E							
iA, iBC										
PXD,PXE, PXF										
12V	Dual	CC-E								
		PXD,PXE, PXF								
12V	Triple			PXF						
	24V	Single	CC-E							
PXD,PXE, PXF										
PH-F										
PH-S										
iQ								PAH300		
PAF										
24V	Dual	CC-E								
		PXD,PXE, PXF								
		PAH75D*								
24V	Triple			PXF						
		48V	Single	CC-E						
PXD,PXE, PXF										
iSA, PAE*, iE, iP*										
iQ, PAQ*										
PH-F										
PH-S										
iH, PAH										
PAF										
48V	Dual			CC-E						
				PXD,PXE, PXF						
		PAQ*								
		PAH75D*								
48V	Triple			PXF						
	Multiple							Vega*		
82-185VDC	Single									
200-400VDC	Single									

* See website

PAF500F Series



24V & 48V Input Full brick DC-DC Converters

- ◆ 12V output for driving non-isolated converters
- ◆ Safety Approved
- ◆ Up to 80A output current (48V models)
- ◆ Full power at 100°C baseplate
- ◆ Opto Isolated Remote On / Off
- ◆ Wide Adjustable Output Range

RoHS

Key Market Segments & Applications

Central Office:	ATM, Sonet, DSL, ISDN, Frame relay
Broadband:	Switching Equipment, Routers
Wireless/Cellular:	Micro Cells (larger in size/10 sq. mi.) Pico Cells (smaller in size/1 to 2 sq. mi.)
Remote Electronics:	Fixed Local Loop, Fiber Optic Transmission, Microwave Transmission, Wireless Local Loop
Customer Premise:	PBX, PABX, Datacomm, Voice Systems, Video Conferencing

PAF Features and Benefits

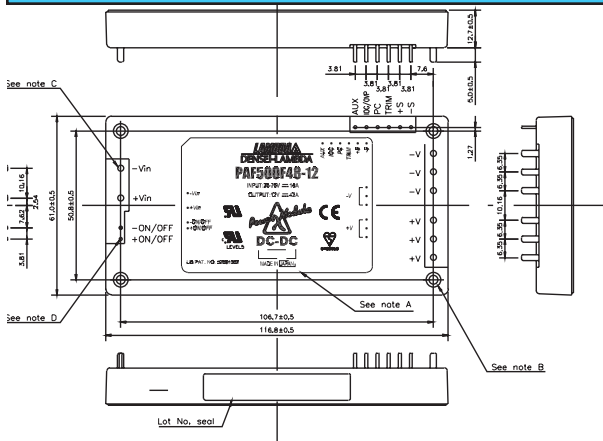
Feature	Benefit
◆ Wide adjustment range	◆ Reduces need for custom modules
◆ Parallel Pin	◆ Modules can be connected together for higher current
◆ ASIC Design	◆ Reduced component count, increased MTBF
◆ No potting materials	◆ Lower weight

Specifications

MODEL		PAF500F48-3.3	PAF500F48-5	PAF500F24-12 PAF500F48-12	PAF500F24-28 PAF500F48-28
ITEMS					
Nominal Output Voltage	VDC	3.3	5	12	28
Output Current (Max)	A	80	80	42	18
Max Output Power	W	264	400	504	504
Efficiency (Typ)	%	78	83	89	90
Input Voltage range	VDC	36-76		19-36 or 36-76	18-36 or 36-76
Input Current (Typ) (24V/48V)	A	7.3	10.4	24 / 12.2	23.8 / 12.1
Output Voltage Accuracy	%	±1			
Output Voltage Adjustment	VDC	2 - 4	3 - 6	7.2 - 13.2	16.8 - 30.8
Max Ripple & Noise	mV	100	100	200	280
Max Line Regulation	mV	10	10	24	56
Max Load Regulation	mV	10	10	24	56
Overcurrent Protection	%	105 - 140%			
Overvoltage Protection	%	130-160	125-145	115-135	115-135
Signals & Control	-	Remote sense, remote On/Off, Parallel Pin, DC Good (12, 28V models), Adjustable OVP (3.3, 5V models), 7-10V Auxiliary voltage			
Operating Temperature	-	-40°C to +100°C baseplate			
Cooling	-	Conduction (See Installation Manual for heatsink selection)			
Isolation Voltage	VDC	Input - Baseplate 1500V, Input - Output 1500V, Output-Baseplate 500V			
Shock	-	196.1m/s ²			
Vibration	-	Non Operating, 10-55Hz (sweep for 1 min.)			
Amplitude	-	0.825mm constant (Max 49m/s ²) X, Y, Z 1 hour each			
Safety Agency Approvals	-	UL60950-1, CSA60950-1, EN60950-1, CE LVD			
Weight (Typ)	g	250			
Size (WxHxD)	in(mm)	2.4x0.5x4.6 (61x12.7x116.8) See outline drawing			
Warranty	-	2 years			

Note: See Installation Manual for full details, test methods of parameters and application notes.

Outline Drawing



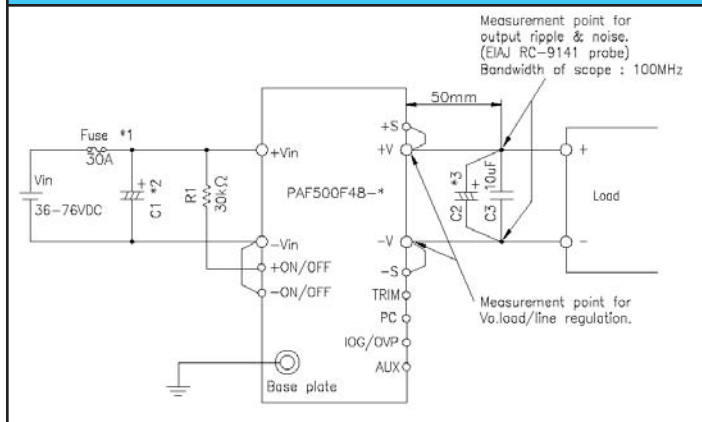
Pinout

Pin Description	Function
-Vin	Negative Input Terminal
+Vin	Positive Input Terminal
- ON/OFF	Remote On/Off negative terminal
+ON/OFF	Remote On/Off positive terminal
+V	Positive Output Terminal
-V	Negative Output Terminal
AUX	7-10V Aux voltage
IOG/OVP	DC Good / OVP adjustment
PC	Parallel control connection
TRIM	Output adjustment Trim pin
+S	Positive Remote sense
-S	Negative Remote sense

Other Lambda DC-DC Products

PAF	Full Brick 400-700W DC-DC
PAH	Half brick DC-DC
PAQ	Quarter brick DC-DC
PX	10-40W, 12-48V DC-DC

Connection Example



Options

Suffix	Description
Blank	
/T	No thread in mounting holes.

Heatsink Table

Heatsink	Size (mm)	Thermal Resistance
HAF-10L	116.8 x 25.4 x 61	2.2°C/W
HAF-15L	116.8 x 38.1 x 61	1.9°C/W
HAF-15T	116.8 x 38.1 x 61	1.5°C/W