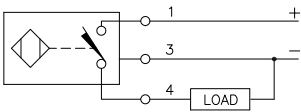
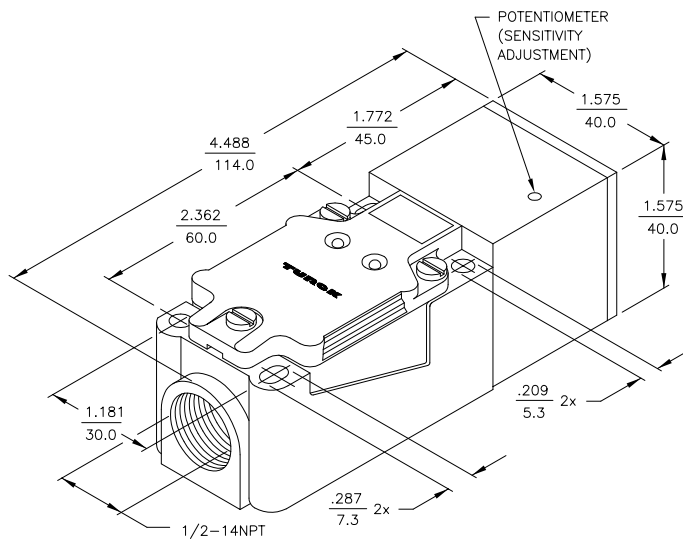


WIRING DIAGRAM



OUTPUT: AP6X2

SHORT-CIRCUIT AND OVERLOAD PROTECTED



SPECIFICATIONS

| | |
|---|--|
| OPERATING VOLTAGE | 10-30 VDC |
| RIPPLE | ≤10% |
| DIFFERENTIAL TRAVEL (HYSTERESIS) | 3-15% (5% TYPICAL) |
| VOLTAGE DROP ACROSS CONDUCTING SENSOR | ≤1.8 V at 200 mA |
| OUTPUT FUNCTION | NORMALLY OPEN 3-WIRE DC SELF-CONTAINED |
| TTL COMPATIBLE | NO |
| SHORT-CIRCUIT PROTECTED | YES |
| TRIGGER CURRENT FOR OVERLOAD PROTECTION | ≥220 mA |
| CONTINUOUS LOAD CURRENT | ≤200 mA |
| OFF-STATE (LEAKAGE) CURRENT | <10 μ A |
| NO-LOAD CURRENT | 5.5-9.5 mA |
| TIME DELAY BEFORE AVAILABILITY | ≤25 ms |
| POWER-ON EFFECT PROTECTION | INCORPORATED |
| REVERSE POLARITY PROTECTION | INCORPORATED |
| WIRE-BREAK PROTECTION | INCORPORATED |
| PROTECTION AGAINST TRANSIENTS | 2 kV, 1ms, 1 k Ω |
| OPERATING TEMPERATURE | -25°C to +70°C (-13°F to +158°F) |
| ENCLOSURE | MEETS NEMA 1, 3, 4, 6, 13 AND IEC IP67 |
| SHOCK | 30 g, 11 ms |
| VIBRATION | 55 Hz; 1 mm AMPLITUDE (IN ALL 3 PLANES) |
| LED FUNCTION | GREEN: POWER ON RED: OUTPUT ENERGIZED |
| SENSING RANGE | 20 mm = .787" (NOMINAL) |
| SWITCHING FREQUENCY | 150 Hz |
| REPEATABILITY | ≤2% of RATED OPERATING DISTANCE |
| EMBEDDABLE (SHIELDED) | YES |

NOTES:

1. SENSING HEAD TURNS TO ACCOMMODATE 9 DIFFERENT SENSING POSITIONS.

| | | | |
|---|---|---|---|
| RELATED DOCUMENTS 1. 2. 3. 4. | 3RD ANGLE PROJECTION | THIS DRAWING IS PROPERTY OF TURCK INC. USE OF THIS DOCUMENT WITHOUT WRITTEN PERMISSION IS PROHIBITED. | 3000 CAMPUS DRIVE MINNEAPOLIS, MN 55441 1-800-544-7769 (763) 553-7300 (763) 553-0708 fax turck.com |
| | MATERIAL PBT-GF30-VO PLASTIC | DRFT GMB DATE 6/30/89 DSGN SCALE NONE | DESCRIPTION Ni20-CP40-AP6X2 |
| FINISH | ALL DIMENSIONS DISPLAYED ON THIS DRAWING ARE FOR REFERENCE ONLY CONTACT TURCK FOR MORE INFORMATION | UNIT OF MEASUREMENT INCH [MILLIMETER] | REV B |
| B UPDATE TO CURRENT TITLE BLOCK | RDS 08/27/02 5504 | DO NOT SCALE THIS DRAWING | FILE: M1603100 SHEET 1 OF 1 |
| REV DESCRIPTION | BY DATE ECO NO. | | |