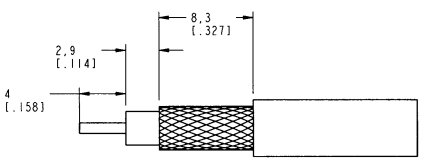
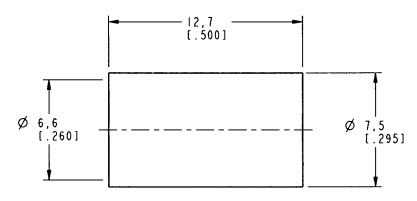
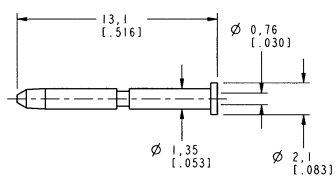
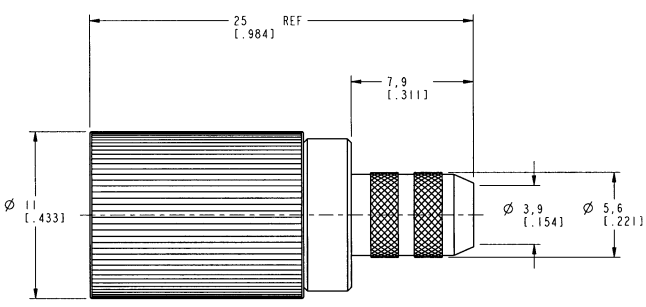
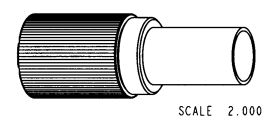


NOTES:

- MATERIALS OF CONSTRUCTION:
 SHELL, BODY & FERRULE = BRASS, NICKEL PLATED
 OUTER CONTACT = PHOSPHOR BRONZE, GOLD PLATED
 CONTACT PIN = BRASS, GOLD PLATED
 INSULATOR = TEFLON PER MIL-P-19468
- CRIMPED FERRULE = HEX CRIMP SIZE .255
 CRIMPED CONTACT PIN = SQUARE CRIMP SIZE .043

156-112-R659		REVISIONS			
DRAWING NO.	REV	DESCRIPTION	DATE	ECO	APPR
THIRD ANGLE PROJ.	A	RELEASE TO MFG.	5/17/00	43373	CPM



RECOMMENDED CABLE STRIPPING DIMENSIONS
SCALE 3.000

CUSTOMER OUTLINE DRAWING
FOR REFERENCE ONLY

UNLESS OTHERWISE SPECIFIED, DIMENSIONS ARE IN INCHES AND TOLERANCES ARE: 0.5 - 6mm ±0.2mm 6 - 30mm ±0.4mm 30 - 120mm ±0.6mm	MATERIAL	DRAWN	DATE	TITLE	Amphenol Amphenol Corporation Communication and Network Products Division Danbury, CT U.S.A. 06810
		C. McGRATH	11-May-00	1.6/5.6 CRIMP PLUG	
NOTICE - These drawings, specifications, or other data (1) are, and remain the property of Amphenol Corp. (2) must be returned upon request; and (3) are confidential and not to be disclosed to any person other than those to whom they are given by Amphenol Corp. The furnishing of these drawings, specifications, or other data by Amphenol Corp., or to any other person to anyone for any purpose is not to be regarded by implication or otherwise in any manner licensing, granting rights or permitting such holder or any other person to manufacture, use or sell any product, process or design, patented or otherwise, that may in any way be related to or disclosed by said drawings, specifications, or other data.	REFERENCE EAR 967564-0 GENN 156-112-R659	ENGINEER	DATE	SCALE: 4.0:1 SHEET 2 OF 2	
		T. AUBIN	11-May-00	REV A	
		APPROVED 	DATE 5/12/00		
		CAD FILE	CODE ID	DWG SIZE	DRAWING NO.
		I:\1656\156-112-R659	74868	B	156-112-R659