

Inductive Sensors



Housing Style	Part Number	ID Number	Features	Sensing Range (mm)	Output	
12 mm - Embeddable, picofast® Connection 	Bi 4U-M12-AP6X-V1131	M1634780	<i>Uprox+</i>	4	3-Wire DC PNP	
12 mm - Embeddable, eurofast® Connection 	Bi 4U-EM12-AN6X-H1141	M1634827	<i>Uprox+</i> , Stainless Steel	4	3-Wire DC NPN	
	Bi 4U-EM12WD-AN6X-H1141	M1634841	<i>Uprox+</i> , Washdown	4		
	Bi 4U-M12-AN6X-H1141	M1634824	<i>Uprox+</i>	4		
	Bi 4U-MT12-AN6X-H1141	M1634829	<i>Uprox+</i> , Teflon	4		
		Bi 4U-EM12-AP6X-H1141	M1634807	<i>Uprox+</i> , Stainless Steel	4	3-Wire DC PNP
		Bi 4U-EM12WD-AP6X-H1141	M1634812	<i>Uprox+</i> , Washdown	4	
		Bi 4U-M12-AP6X-H1141	M1634804	<i>Uprox+</i>	4	
		Bi 4U-MT12-AP6X-H1141	M1634809	<i>Uprox+</i> , Teflon	4	
		Bi 4U-MT12E-AP6X2-H1141*	M1644742	<i>Uprox+</i> , Dual LED's	4	
12 mm - Nonembeddable, eurofast Connection 	Ni 10U-EM12-AN6X-H1141	M1634828	<i>Uprox+</i> , Stainless Steel	10	3-Wire DC NPN	
	Ni 10U-EM12WD-AN6X-H1141	M1634837	<i>Uprox+</i> , Washdown	10		
	Ni 10U-M12-AN6X-H1141	M1634826	<i>Uprox+</i>	10		
	Ni 10U-MT12-AN6X-H1141	M1634830	<i>Uprox+</i> , Teflon	10		
		Ni 10U-EM12-AP6X-H1141	M1634808	<i>Uprox+</i> , Stainless Steel	10	3-Wire DC PNP
		Ni 10U-EM12WD-AP6X-H1141	M1634814	<i>Uprox+</i> , Washdown	10	
		Ni 10U-M12-AP6X-H1141	M1634806	<i>Uprox+</i>	10	
		Ni 10U-MT12-AP6X-H1141	M1634810	<i>Uprox+</i> , Teflon	10	
		Ni 10U-MT12E-AP6X2-H1141*	M1634844	<i>Uprox+</i> , Dual LED's	10	
12 mm - Embeddable, Potted-in Cable 	Bi 4U-EM12WD-AN6X	M1634842	<i>Uprox+</i> , Washdown	4	3-Wire DC NPN	
	Bi 4U-M12-AN6X	M1634823	<i>Uprox+</i>	4		
		Bi 4U-EM12WD-AP6X	M1634811	<i>Uprox+</i> , Washdown	4	3-Wire DC PNP
		Bi 4U-M12-AP6X	M1634803	<i>Uprox+</i>	4	
12 mm - Nonembeddable, Potted-in Cable 	Ni 10U-EM12WD-AN6X	M1634838	<i>Uprox+</i> , Washdown	10	3-Wire DC NPN	
	Ni 10U-M12-AN6X	M1634825	<i>Uprox+</i>	10		
		Ni 10U-EM12WD-AP6X	M1634813	<i>Uprox+</i> , Washdown	10	3-Wire DC PNP
		Ni 10U-M12-AP6X	M1634805	<i>Uprox+</i>	10	

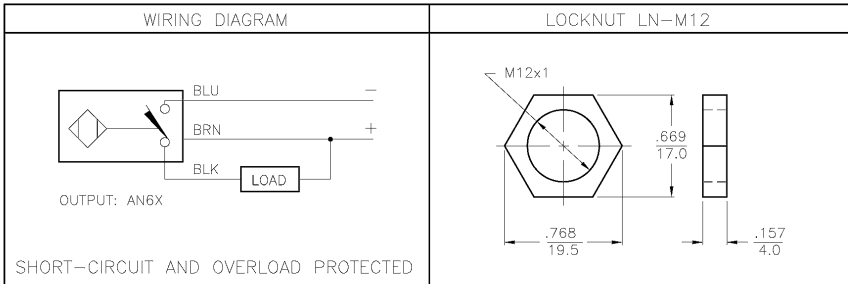
* MT12E = extended barrel length 62mm.



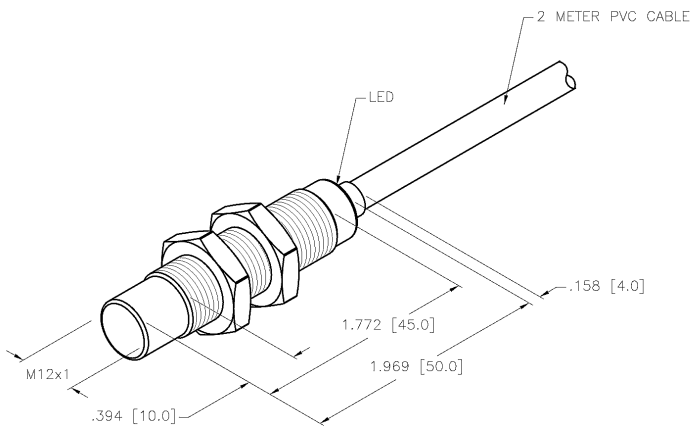
Voltage	Switching Freq. (Hz)	Operating Current (mA)	Operating Temp. (°C)	Protection	Housing	Face	Power LED	Output LED	Mating Cordset	Wiring Diagram #	Wiring Diagrams
10-30 VDC	2000	≤200	-30 to +85	IP 68	CPB	LCP	N/A	YE	PKG 3Z-*	5	<p>Diagram 1</p>
10-30 VDC	2000	≤200	-30 to +85	IP 68	SS	LCP	N/A	YE	RK 4T-*	1	<p>Diagram 2</p>
	2000	≤200	-30 to +85	IP 68, 69K	SS	LCP	N/A	YE	RK 4T-*	1	
	2000	≤200	-30 to +85	IP 68	CPB	LCP	N/A	YE	RK 4T-*	1	
	2000	≤200	-30 to +85	IP 68	TC	LCP	N/A	YE	RK 4T-*	1	
10-30 VDC	2000	≤200	-30 to +85	IP 68	SS	LCP	N/A	YE	RK 4T-*	2	<p>Diagram 3</p>
	2000	≤200	-30 to +85	IP 68, 69K	SS	LCP	N/A	YE	RK 4T-*	2	
	2000	≤200	-30 to +85	IP 68	CPB	LCP	N/A	YE	RK 4T-*	2	
	2000	≤200	-30 to +85	IP 68	TC	LCP	N/A	YE	RK 4T-*	2	
	2000	≤200	-30 to +85	IP 68	TC	LCP	GN	YE	RK 4.4T-*	2	
10-30 VDC	1000	≤200	-30 to +85	IP 68	SS	LCP	N/A	YE	RK 4T-*	1	<p>Diagram 4</p>
	1000	≤200	-30 to +85	IP 68, 69K	SS	LCP	N/A	YE	RK 4T-*	1	
	1000	≤200	-30 to +85	IP 68	CPB	LCP	N/A	YE	RK 4T-*	1	
	1000	≤200	-30 to +85	IP 68	TC	LCP	N/A	YE	RK 4T-*	1	
10-30 VDC	1000	≤200	-30 to +85	IP 68	SS	LCP	N/A	YE	RK 4T-*	2	<p>Diagram 5</p>
	1000	≤200	-30 to +85	IP 68, 69K	SS	LCP	N/A	YE	RK 4T-*	2	
	1000	≤200	-30 to +85	IP 68	CPB	LCP	N/A	YE	RK 4T-*	2	
	1000	≤200	-30 to +85	IP 68	TC	LCP	N/A	YE	RK 4T-*	2	
	1000	≤200	-30 to +85	IP 68	TC	LCP	GN	YE	RK 4T-*	2	
10-30 VDC	2000	≤200	-30 to +85	IP 68, 69K	SS	LCP	N/A	YE	2M/PUR	3	<p>Diagram 5</p>
	2000	≤200	-30 to +85	IP 68	CPB	LCP	N/A	YE	2M/PVC	3	
10-30 VDC	2000	≤200	-30 to +85	IP 68, 69K	SS	LCP	N/A	YE	2M/PUR	4	<p>Diagram 5</p>
	2000	≤200	-30 to +85	IP 68	CPB	LCP	N/A	YE	2M/PVC	4	
10-30 VDC	1000	≤200	-30 to +85	IP 68, 69K	SS	LCP	N/A	YE	2M/PUR	3	<p>Diagram 5</p>
	1000	≤200	-30 to +85	IP 68	CPB	LCP	N/A	YE	2M/PVC	3	
10-30 VDC	1000	≤200	-30 to +85	IP 68, 69K	SS	LCP	N/A	YE	2M/PUR	4	<p>Diagram 5</p>
	1000	≤200	-30 to +85	IP 68	CPB	LCP	N/A	YE	2M/PVC	4	

Uprox+

* Length in meters.



SPECIFICATIONS	
RATED OPERATING DISTANCE	10mm =.394"
MOUNTING MODE	NON-FLUSH
MIN. REPEAT ACCURACY	≤ 2%
TEMPERATURE DRIFT	≤ ±10%
HYSTERESIS (SWITCHING DISTANCE)	3-15%
OPERATING TEMPERATURE	-30°C to +85°C (-22°F to +185°F)
RATED OPERATIONAL VOLTAGE	10-30 VDC
MAX. RIPPLE	≤ 10%
RATED OPERATIONAL CURRENT	≤ 200 mA
NO-LOAD CURRENT	≤ 15 mA
MAX. OFF-STATE CURRENT	≤ 0.1 mA
RATED INSULATION VOLTAGE	≤ 0.5 kV
SHORT-CIRCUIT PROTECTED	YES
MAX. VOLTAGE DROP	≤ 1.8 V
REVERSE POLARITY PROTECTION	INCORPORATED
WIRE-BREAK PROTECTION	INCORPORATED
OUTPUT FUNCTION	NORMALLY OPEN, 3-WIRE, NPN
MAX. SWITCHING FREQUENCY	≤ 1 kHz
HOUSING MATERIAL	METAL, BRASS/CHROME PLATED
ACTIVE FACE	PLASTIC, LCP-GF30
END CAP	PLASTIC, EPTR
CABLE	∅5.2, LiYY, PVC, 2 METER LENGTH
SHOCK RESISTANCE	30 g, 11 ms
VIBRATION RESISTANCE	55 Hz, 1 mm AMPLITUDE (IN ALL 3 PLANES)
DEGREE OF PROTECTION	IP68
SWITCHING STATUS INDICATION	LED: YELLOW



SOURCE DRAWING - FOR REFERENCE ONLY

RELATED DOCUMENTS		3RD ANGLE PROJECTION		THIS DRAWING IS PROPERTY OF TURCK INC. USE OF THIS DOCUMENT WITHOUT WRITTEN PERMISSION IS PROHIBITED.		 High Technology Sensors and Automation Controls	
1. 2. 3. 4.				DRFT	RDS	DATE 05/08/06	DESCRIPTION
MATERIAL		TOLERANCES UNLESS OTHERWISE SPECIFIED		DGNS	TB	SCALE 1=1.0	N110U-M12-AN6X
FINISH		.X ±0.02 .XX ±0.01 .XXX ±0.005 ANGLES ±1°		UNIT OF MEASUREMENT			IDENTIFICATION NO.
A DRAWING RELEASE		RDS	05/08/06	INCH [MILLIMETER]			M1634825
REV DESCRIPTION		BY	DATE	DO NOT SCALE THIS DRAWING			REV A
		ECO NO.		FILE: M1634825			SHEET 1 OF 1