



Audio

NEUTRIK

 Deutsche Version

- Home
- About Us
- Products
- Support
- News
- Sitemap

Search

Products only

© Neutrik® AG
All rights reserved
Legal Notices



Audio

NYS Jacks

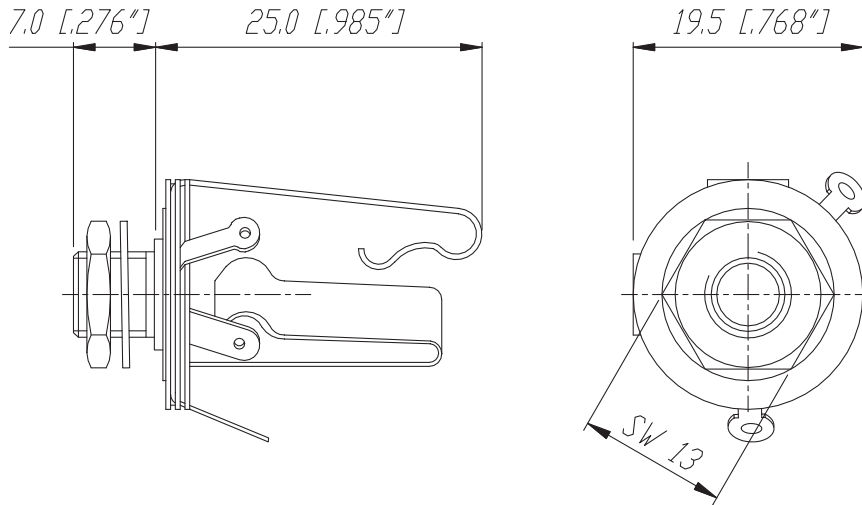
[back](#)

[Print](#)

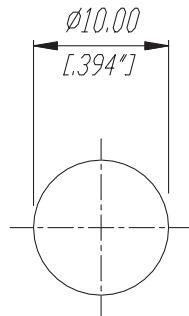
NYS230



Open jack, 3-pole, 3 contacts, with washer and nut, panel thickness 3.5 mm



Frontplattenausschnitt (Rückseite)
Panel cut out (rear side)



					Werkstoff:	Maßstab:	Datum	Name	
				*Lieferant darf ohne Ruecksprache nicht geaendert werden		1:1	Gezeichnet	29.01.01	Batlogg
				Zeichnung urheberrechtlich geschuetzt (DIN 34) (C)			Geprueft		
				Benennung:	1/4" Phone Jacks NYS 230		Ersetzt durch:	Blatt	
							Ersatz fuer:	von Blatt	
					REAN		Zeichn. Nr.	3102 ST 22 31	
Ind.	Aenderung	Datum	Name						



NYS Jacks



NYS230

There are no technical infos for this product.

Product	
Electrical	
Contact resistance	< 10 mΩ
Dielectric strength	0,5 kVdc
Rated current per contact	1 A
Mechanical	
Insertion force	≤ 20 N
Withdrawal force	> 10 N
Lifetime	5000 mating cycles
Panel thickness	4 mm
Material	
Contact plating	SnCe
Contacts	CuSn6
Insert	insulation board
Shell	CuZn39Pb3 gal 2 μm Ni plated
Environmental	
Solderability	Complies with IEC 68-2-20
Temperature range	-20 °C to +70 °C
Optical	
Mobile Cables	