

Inductive Sensors



Housing Style	Part Number	ID Number	Features	Sensing Range (mm)	Output	
CK40 - Embeddable/Nonembeddable, eurofast® Connection 	Bi20U-CK40-AN6X2-H1141 W/BS 2.1	M1627231	<i>Uprox+</i>	20	3-Wire DC NPN	
	Bi30U-CK40-AN6X2-H1141 W/BS 4	M1625820	<i>Uprox+</i>	30		
	Ni50U-CK40-AN6X2-H1141 W/BS 4	M1625823	<i>Uprox+</i>	50		
	CP40 - Embeddable/Nonembeddable, Terminal Chamber 	Bi20U-CP40-AN6X2	M1625828	<i>Uprox+</i>	20	3-Wire DC NPN
		Bi20U-CP40-AP6X2	M1625826	<i>Uprox+</i>	20	3-Wire DC PNP
		Bi30U-CP40-AN6X2	M1625827	<i>Uprox+</i>	30	3-Wire DC NPN
		Bi30U-CP40-AP6X2	M1625825	<i>Uprox+</i>	30	3-Wire DC PNP
		Ni50U-CP40-AN6X2	M1625824	<i>Uprox+</i>	50	3-Wire DC NPN
		Ni50U-CP40-AP6X2	M1625842	<i>Uprox+</i>	50	3-Wire DC PNP
	Q80 - Embeddable/Nonembeddable, eurofast Connection 	Bi50U-Q80-AN6X2-H1141	M1608944	<i>Uprox+</i>	50	3-Wire DC NPN
Ni70U-Q80-VN4X2-H1141		M1625821	<i>Uprox+/Comp. Outputs</i>	70	4-Wire DC NPN	
Bi50U-Q80-AP6X2-H1141		M1608940	<i>Uprox+</i>	50	3-Wire DC PNP	
Ni70U-Q80-VP4X2-H1141		M1625833	<i>Uprox+/Comp. Outputs</i>	70	4-Wire DC PNP	

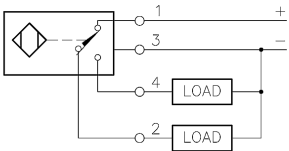


Voltage	Switching Freq. (Hz)	Operating Current (mA)	Operating Temp. (°C)	Protection	Housing	Face	Power LED	Output LED	Mating Cordset	Wiring Diagram #	Wiring Diagrams
10-30 VDC	250	≤200	-20 to +70	IP 68	PBT	PBT	GN	YE	RK 4T-*	1	Diagram 1
	250	≤200	-10 to +60	IP 68	PBT	PBT	GN	YE	RK 4T-*	1	
	250	≤200	-25 to +70	IP 68	PBT	PBT	GN	YE	RK 4T-*	1	
10-30 VDC	250	≤200	-20 to +70	IP 68	PBT	PBT	GN	YE	RK 4T-*	2	Diagram 2
	250	≤200	-10 to +60	IP 68	PBT	PBT	GN	YE	RK 4T-*	2	
	250	≤200	-20 to +70	IP 68	PBT	PBT	GN	YE	RK 4T-*	2	
10-30 VDC	250	≤200	-25 to +70	IP 68	PBT	PBT	GN	YE	RK 4.4T-*	3	Diagram 3
10-30 VDC	250	≤200	-25 to +70	IP 68	PBT	PBT	GN	YE	RK 4.4T-*	4	
10-30 VDC	250	≤200	-25 to +70	IP 68	PBT	PBT	GN	YE	N/A	5	Diagram 4
10-30 VDC	250	≤200	-25 to +70	IP 68	PBT	PBT	GN	YE	N/A	6	
10-30 VDC	250	≤200	-25 to +70	IP 68	PBT	PBT	GN	YE	N/A	5	Diagram 5
10-30 VDC	250	≤200	-25 to +70	IP 68	PBT	PBT	GN	YE	N/A	6	
10-30 VDC	250	≤200	-25 to +70	IP 68	PBT	PBT	GN	YE	RK 4T-*	1	Diagram 6
10-65 VDC	250	≤200	-25 to +70	IP 68	PBT	PBT	GN	YE	RK 4.4T-*	3	
10-30 VDC	250	≤200	-25 to +70	IP 68	PBT	PBT	GN	YE	RK 4T-*	2	Diagram 6
10-65 VDC	250	≤200	-25 to +70	IP 68	PBT	PBT	GN	YE	RK 4.4T-*	4	

Uprox+

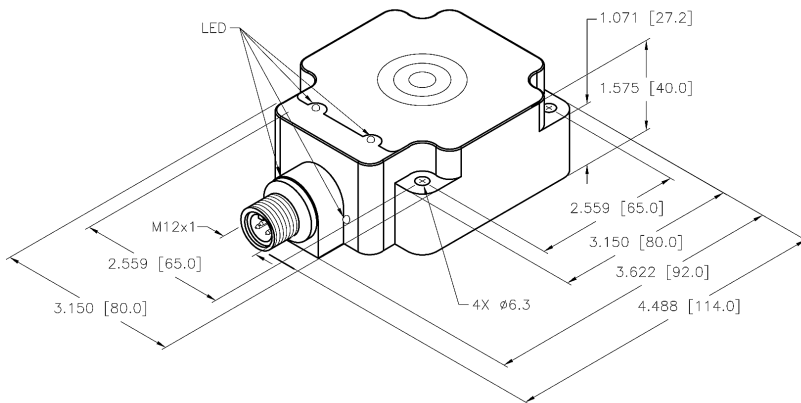
* Length in meters.

WIRING DIAGRAM



OUTPUT: VP4X2

SHORT-CIRCUIT AND OVERLOAD PROTECTED



SPECIFICATIONS

HYSTERESIS	3-15%
MIN. REPEAT ACCURACY	≤2%
MAX. RELATIVE TEMPERATURE DRIFT	≤ ±10% C° ≤ ±15%, ≤ 25 C° v ≥ +70 C°
OPERATING TEMPERATURE	-30°C to +85°C (-22°F to +185°F)
OPERATING VOLTAGE	10-65 VDC
RIPPLE	≤10%
RATED OPERATIONAL CURRENT	≤200 mA
NO-LOAD CURRENT	≤15 mA
MAX. OFF STATE CURRENT	≤0.1 mA
MAX. SWITCHING FREQUENCY	≤0.25 kHz
RATED INSULATION VOLTAGE	≤0.5 kV
OUTPUT FUNCTION	4-WIRE, COMPLEMENTARY, PNP
SHORT-CIRCUIT PROTECTED	YES
MAX. VOLTAGE DROP	≤1.8 V
WIRE-BREAK PROTECTION	INCORPORATED
REVERSE POLARITY PROTECTION	INCORPORATED
HOUSING MATERIAL	PLASTIC, PBT-GF30-V0
ACTIVE FACE	PLASTIC, PBT-GF30-V0
VIBRATION RESISTANCE	55 Hz, 1 mm AMPLITUDE (IN ALL 3 PLANES)
SHOCK RESISTANCE	30 g, 11 ms
DEGREE OF PROTECTION	IP 67
RATED OPERATING DISTANCE	70 mm
MOUNTING MODE	NON-FLUSH
SUPPLY VOLTAGE INDICATION	LED, GREEN
SWITCHING STATUS INDICATION	LED, YELLOW

SOURCE DRAWING - FOR REFERENCE ONLY

RELATED DOCUMENTS 1. 2. 3. 4.	3RD ANGLE PROJECTION 	THIS DRAWING IS PROPERTY OF TURCK INC. USE OF THIS DOCUMENT WITHOUT WRITTEN PERMISSION IS PROHIBITED.		TURCK INC High Technology Sensors and Automation Controls	
	MATERIAL PBT-GF30-V0 PLASTIC	TOLERANCES UNLESS OTHERWISE SPECIFIED ±0.0394 in [±1.00 mm]	DRFT RDS DGSN BT	DATE 05/15/03 SCALE NONE	DESCRIPTION Ni70U-Q80-VP4X2-H1141
FINISH		UNIT OF MEASUREMENT INCH [MILLIMETER]		IDENTIFICATION NO. M1625833	REV A
A DRAWING RELEASE	RDS 08/04/03	DO NOT SCALE THIS DRAWING		FILE: M1625833	SHEET 1 OF 1
REV DESCRIPTION	BY DATE ECO NO.				