

**PLEASE CHECK WWW.MOLEX.COM FOR LATEST PART INFORMATION**

**Part Number:** **0622018700**  
**Status:** **Active**  
**Description:** TM-42™ FFC and SL™ Termination Kit

**Documents:**

[RoHS Certificate of Compliance \(PDF\)](#)

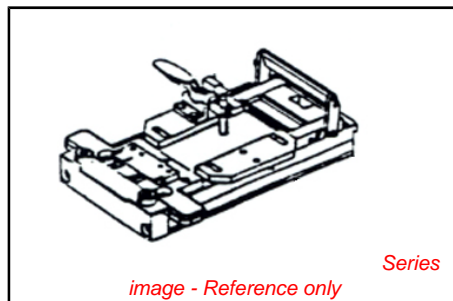
**General**

Product Family	Application Tooling
Series	T1361
Function	Insulation Displacement (IDT)
Geographic Area	Global
Level of Automation	Semi-Automatic
More Detailed Tech Information	<a href="mailto:applicationtooling@molex.com">applicationtooling@molex.com</a>
Product Name	N/A
Survey	<a href="http://www.molex.com/review/apptool_survey.html">www.molex.com/review/apptool_survey.html</a>
Tool Type	Terminator

**Material Info**

**Reference - Drawing Numbers**

Application Tooling Documents ATS-622018700, TM-622022099



<b>EU RoHS</b>	<b>China RoHS</b>
<b>Compliance Status</b>	
<b>Not Reviewed</b>	
<b>REACH SVHC</b>	
<b>Not Reviewed</b>	
<b>Low-Halogen Status</b>	
<b>Not Reviewed</b>	

**Need more information on product environmental compliance?**

Email [productcompliance@molex.com](mailto:productcompliance@molex.com)  
 For a multiple part number RoHS Certificate of Compliance, [click here](#)

Please visit the [Contact Us](#) section for any non-product compliance questions.

**Search Parts in this Series**

T1361Series

**Use With**

690002-5001 TM-42

Application Tooling Description	FAQ Product #
2.54mm (.100") C-Grid SL™ Single Row, Female, Version G Receptacle, 2 Circuits	0015388020
2.54mm (.100") C-Grid SL™ Single Row, Female, Version G Receptacle, 14 Circuits	0015388140
2.54mm (.100") C-Grid SL™ Single Row, Female, Version	0015474123

G Receptacle, 12 Circuits 2.54mm (.100") C-Grid SL™ Single Row, Female, Version	0015388060
G Receptacle, 6 Circuits 2.54mm (.100") C-Grid SL™ Single Row, Female, Version	0015388078
A Receptacle, 7 Circuits 2.54mm (.100") C-Grid SL™ Single Row, Female, Version	0015388118
A Receptacle, 11 Circuits 2.54mm (.100") C-Grid SL™ Single Row, Female, Version	0015388148
A Receptacle, 14 Circuits 2.54mm (.100") C-Grid SL™ Single Row, Female, Version	0015388030
G Receptacle, 3 Circuits 2.54mm (.100") C-Grid SL™ Single Row, Female, Version	0015388027
C Receptacle, 2 Circuits 2.54mm (.100") C-Grid SL™ Single Row, Female, Version	0015388028
A Receptacle, 2 Circuits 2.54mm (.100") C-Grid SL™ Single Row, Female, Version	0015388029
D Receptacle, 2 Circuits 2.54mm (.100") C-Grid SL™ Single Row, Female, Version	0015388037
C Receptacle, 3 Circuits 2.54mm (.100") C-Grid SL™ Single Row, Female, Version	0015388038
A Receptacle, 3 Circuits 2.54mm (.100") C-Grid SL™ Single Row,	0015388039

Female, Version D Receptacle, 3 Circuits 2.54mm (.100") C-Grid SL™ Single Row,	0015388040
Female, Version G Receptacle, 4 Circuits 2.54mm (.100") C-Grid SL™ Single Row,	0015388047
Female, Version C Receptacle, 4 Circuits 2.54mm (.100") C-Grid SL™ Single Row,	0015388048
Female, Version A Receptacle, 4 Circuits 2.54mm (.100") C-Grid SL™ Single Row,	0015388049
Female, Version D Receptacle, 4 Circuits 2.54mm (.100") C-Grid SL™ Single Row,	0015388050
Female, Version G Receptacle, 5 Circuits 2.54mm (.100") C-Grid SL™ Single Row,	0015388057
Female, Version C Receptacle, 5 Circuits 2.54mm (.100") C-Grid SL™ Single Row,	0015388058
Female, Version A Receptacle, 5 Circuits 2.54mm (.100") C-Grid SL™ Single Row,	0015388059
Female, Version D Receptacle, 5 Circuits 2.54mm (.100") C-Grid SL™ Single Row,	0015388067
Female, Version C Receptacle, 6 Circuits 2.54mm (.100") C-Grid SL™ Single Row,	0015388068
Female, Version A Receptacle, 6 Circuits 2.54mm (.100") C-Grid SL™	0015388070

Single Row, Female, Version G Receptacle, 7 Circuits 2.54mm (.100") C-Grid SL™	0015388080
Single Row, Female, Version G Receptacle, 8 Circuits 2.54mm (.100") C-Grid SL™	0015388087
Single Row, Female, Version C Receptacle, 8 Circuits 2.54mm (.100") C-Grid SL™	0015388088
Single Row, Female, Version A Receptacle, 8 Circuits 2.54mm (.100") C-Grid SL™	0015388089
Single Row, Female, Version D Receptacle, 8 Circuits 2.54mm (.100") C-Grid SL™	0015388090
Single Row, Female, Version G Receptacle, 9 Circuits 2.54mm (.100") C-Grid SL™	0015388097
Single Row, Female, Version C Receptacle, 9 Circuits 2.54mm (.100") C-Grid SL™	0015388098
Single Row, Female, Version A Receptacle, 9 Circuits 2.54mm (.100") C-Grid SL™	0015388099
Single Row, Female, Version D Receptacle, 9 Circuits 2.54mm (.100") C-Grid SL™	0015388100
Single Row, Female, Version G Receptacle, 10 Circuits 2.54mm (.100") C-Grid SL™	0015388108
Single Row, Female, Version A Receptacle, 10 Circuits	

2.54mm (.100") C-Grid SL™ Single Row, Female, Version D Receptacle, 10 Circuits	0015388109
2.54mm (.100") C-Grid SL™ Single Row, Female, Version G Receptacle, 11 Circuits	0015388110
2.54mm (.100") C-Grid SL™ Single Row, Female, Version C Receptacle, 11 Circuits	0015388117
2.54mm (.100") C-Grid SL™ Single Row, Female, Version G Receptacle, 12 Circuits	0015388120
2.54mm (.100") C-Grid SL™ Single Row, Female, Version A Receptacle, 12 Circuits	0015388128
2.54mm (.100") C-Grid SL™ Single Row, Female, Version G Receptacle, 13 Circuits	0015388130
2.54mm (.100") C-Grid SL™ Single Row, Female, Version A Receptacle, 13 Circuits	0015388138
2.54mm (.100") C-Grid SL™ Single Row, Female, Version C Receptacle, 14 Circuits	0015388147
2.54mm (.100") C-Grid SL™ Single Row, Female, Version D Receptacle, 14 Circuits	0015388149
2.54mm (.100") C-Grid SL™ Single Row, Female, Version G Receptacle, 15 Circuits	0015388150
2.54mm (.100") C-Grid SL™ Single Row, Female, Version	0015388157

C Receptacle, 15 Circuits 2.54mm (.100") C-Grid SL™ Single Row, Female, Version	0015388158
A Receptacle, 15 Circuits 2.54mm (.100") C-Grid SL™ Single Row, Female, Version	0015388160
G Receptacle, 16 Circuits 2.54mm (.100") C-Grid SL™ Single Row, Female, Version	0015388167
C Receptacle, 16 Circuits 2.54mm (.100") C-Grid SL™ Single Row, Female, Version	0015388168
A Receptacle, 16 Circuits	

This document was generated on 05/04/2011

**PLEASE CHECK [WWW.MOLEX.COM](http://WWW.MOLEX.COM) FOR LATEST PART INFORMATION**