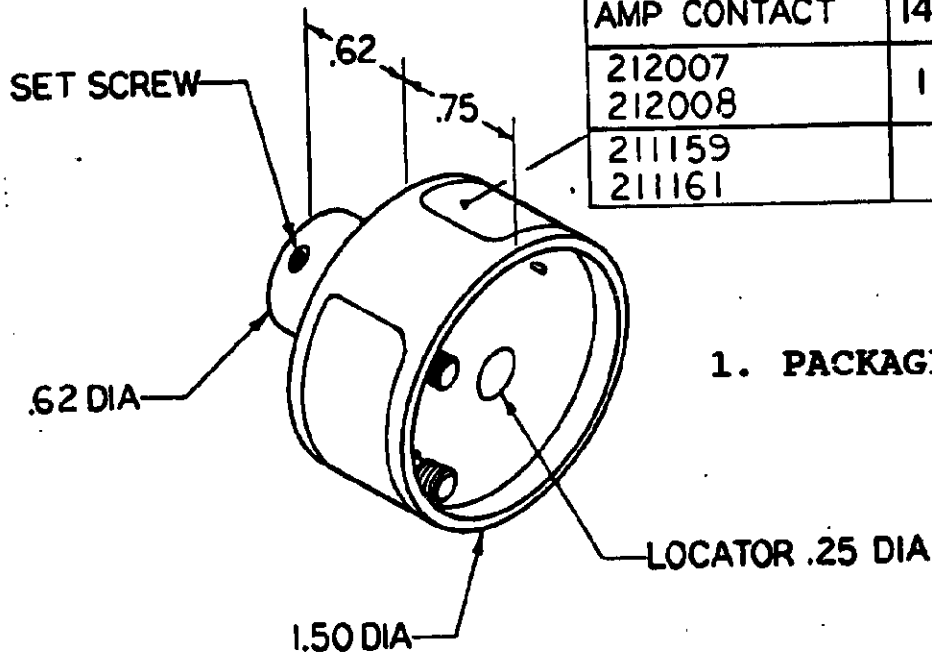
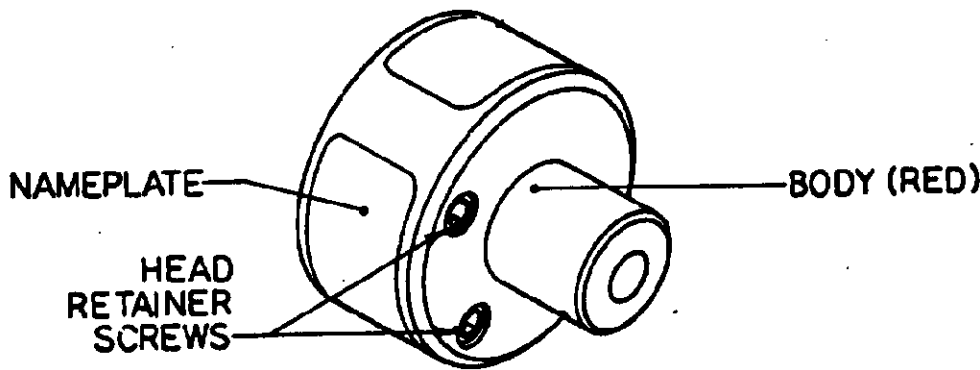


USED ON 608651-1

AMP CONTACT	14	12	10	8	WIRE SIZE
212007					
212008	1	1			SEL NO.
211159			6	7	(M300BT)
211161					



1. PACKAGED WITH IS 7516



ISSUED BY

[Handwritten signature]

CUSTOMER DRAWING
UNPUBLISHED

608651-2

AS SHOWN

LOC D	DWG SIZE		PART NO	DESCRIPTION	ITEM NO
DIST 1	← REVISION OF EACH ASSY NO (WHEN BLANK, USE DWG REVISION)				
QTY REQD PER ASSY		PARTS LIST			
			MATERIAL	HEAT TREAT	FINISH
			DIMENSIONS IN INCHES. TOLERANCES UNLESS OTHERWISE SPECIFIED: 2 PL DEC ± 3 PL DEC ± 4 PL DEC ± ANGLES ± SURF TEXTURE: ✓ REMOVE BURRS, BREAK SHARP EDGES .015R MAX	DR <i>Roy</i> 12-14-89 CHK	APP <i>Ray Johnston</i> 12-14-89 REL <i>F. HANNED</i> 12-14-89
			SCALE NTS	AMP INCORPORATED Harrisburg, Pa.	
			APP DATE A	NAME POSITIONER, SP689	
			REVISION RECORD	608651-2	SHEET REV O