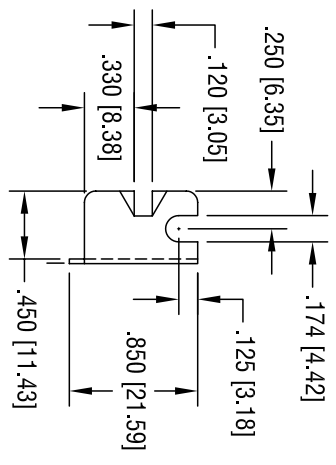
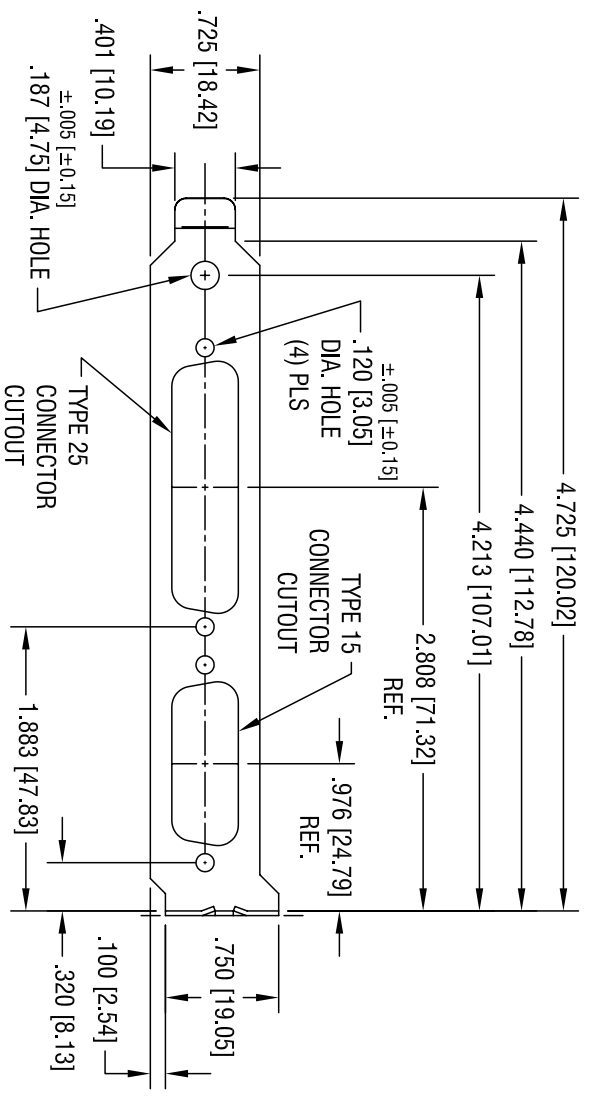


DATE	DESCRIPTION	REV.
11.17.06	CHANGE AS PER ECN 06-080	A



THIS DOCUMENT IS THE PROPERTY OF KEYSTONE ELECTRONICS CORP. AND SHALL NOT BE REPRODUCED, DISTRIBUTED OR COPIED IN ANY MANNER WITHOUT WRITTEN PERMISSION FROM KEYSTONE ELECTRONICS CORP.

KEYSTONE ELECTRONICS CORP.			
ASTORIA, N.Y. 11105-2017			
PART NAME		COMPUTER BRACKET	
MATERIAL			
.032 [0.81] THK STEEL			
FINISH	NICKEL PLATE	DRN BY	BOONE
DATE	2.5.04	APPD	SCALE
DATE	1X	DWG NO.	9200-13
TOLEBRANGES	INCH [MM]	CODE	
DECIMAL	± .015 [± 0.38]	C	
ANGULAR	± 1°		
UNLESS OTHERWISE SPECIFIED			