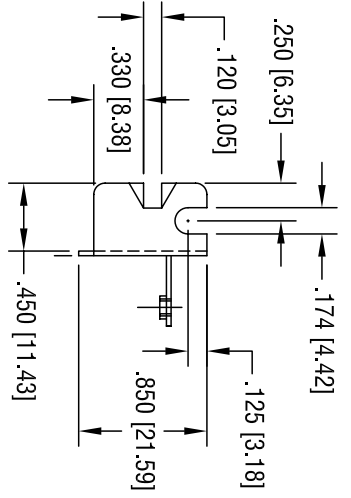
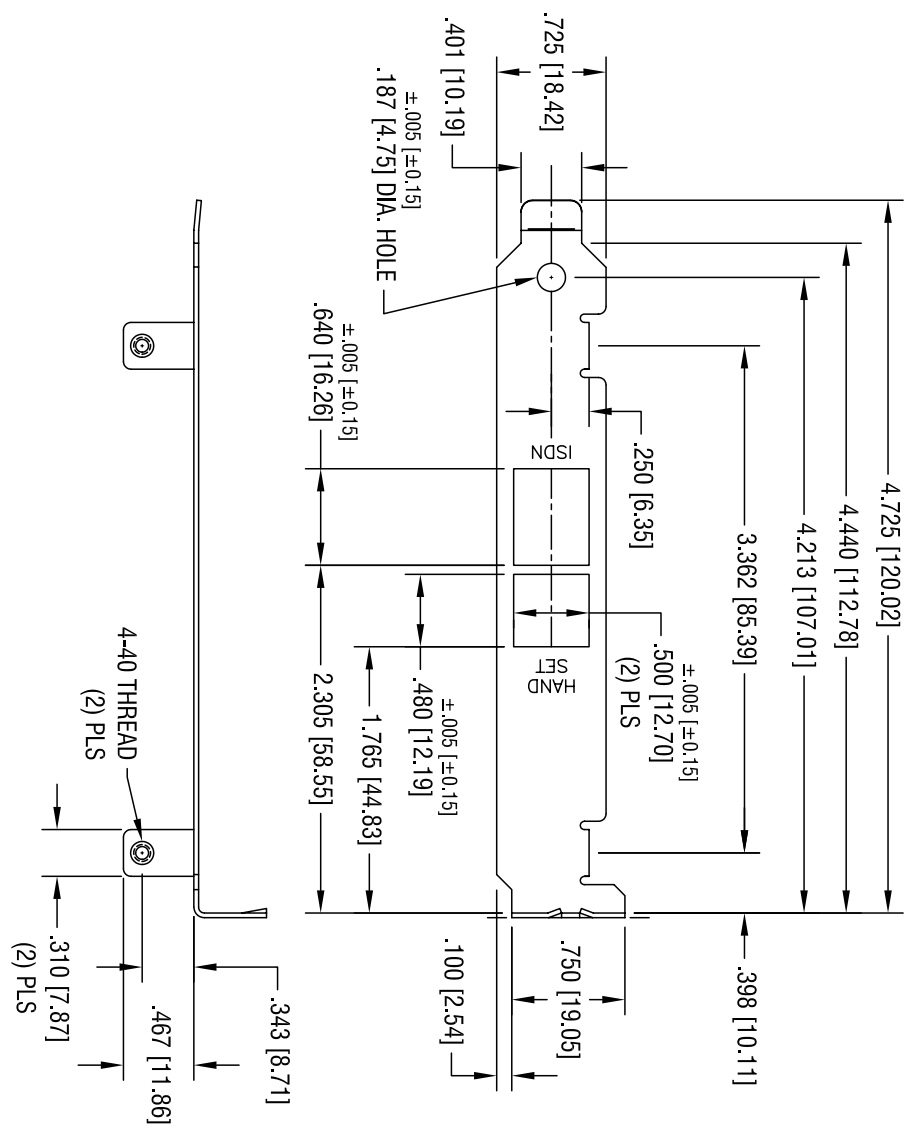


DATE	DESCRIPTION	REV.



THIS DOCUMENT IS THE PROPERTY OF KEystone ELECTRONICS CORP. AND SHALL NOT BE REPRODUCED, DISTRIBUTED OR COPIED IN ANY MANNER WITHOUT WRITTEN PERMISSION FROM KEystone ELECTRONICS CORP.

<b>KEYSTONE ELECTRONICS CORP.</b>	
ASTORIA, N.Y. 11105-2017	
PART NAME	COMPUTER BRACKET
MATERIAL	.032 [0.81] THK STEEL
FINISH	NICKEL PLATE
TOLEBRANGES	INCH [MM]
DECIMAL	± .015 [± 0.38]
ANGULAR	± 1°
UNLESS OTHERWISE SPECIFIED	
CODE	C
DWG. NO.	9203-1
DRN BY	BOONE
APPD	
DATE	6.15.98
SCALE	1X