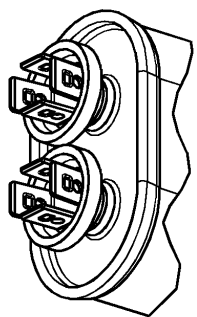
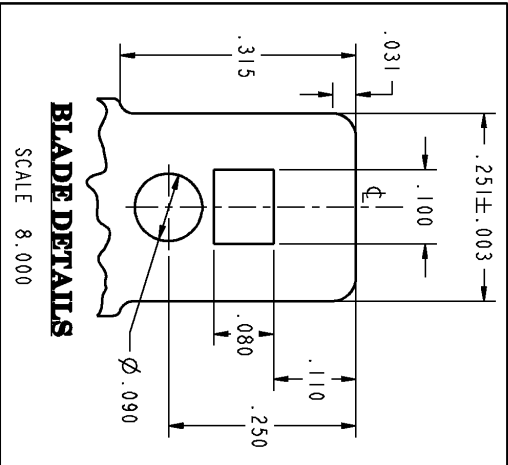
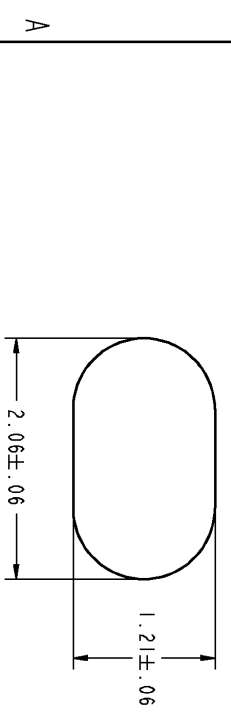
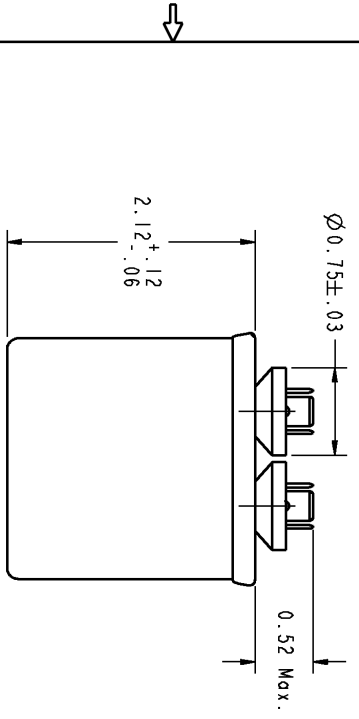
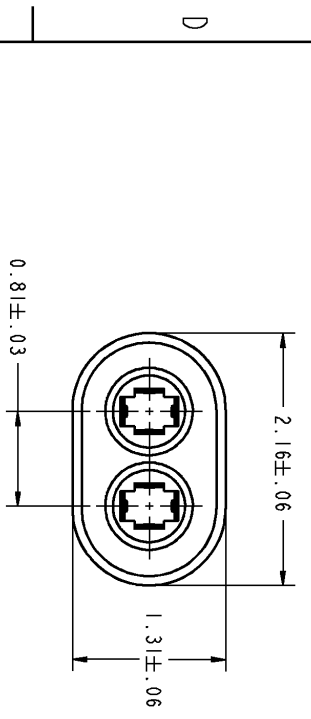


REVISIONS			
REV.	DESCRIPTION	DATE	APPROVED



**SPECIFICATIONS:**

"GEM-111 Capacitors are manufactured with High Grade Metallized Polypropylene Film"

Main Capacitance	: 8.00uF ±6%
Secondary Capacitance	: NIL
Volts	: 370AC
Leakage Current	: 30uA Max.
Frequency	: 50/60 HZ
Operating Temperature	: -40 DEG C TO 70 DEG C
Storage Temperature	: -40 DEG C TO 90 DEG C
Operative Life	: 60,000 HRS WITH 94% SURVIVAL
Dissipation Factor	: 0.1% MAX.
Case Material	: ALUMINIUM
Cover Material	: STEEL TIN PLATED
Terminals	: 0.250"X0.031" Quick Connect Blades
Dielectric Fluid	: DIELEKTROL VI
Internal Protection	: UL RECOGNIZED PSI A10000AFC

FOR ADDITIONAL INFO REFER TO:		SIGNATURES		DATE	
APPLICABLE PRACTICES	UNLESS OTHERWISE SPECIFIED	MODEL	WRS	07/25/08	
TOLERANCE ON DIMENSIONS	DETAIL	CHECKED	HW	07/25/08	
1 PL DECIMALS ± 0.1		ENGR			
2 PL DECIMALS ± 0.01		WFG			
3 PL DECIMALS ± 0.001		QUALITY			
ANGLES ± 0.5		ISSUED			
FRACTIONS ±					
FINISH					

**REGAL-BELLOTT CORPORATION**

**GEM III CAPACITOR**

**OUTLINE DRAWING**

SCALE: 1:250

REF. NO.:

27L1026

SHEET 1 OF 1

REV 0

