

Revision

1.0.0



# CON-RPSMA-ST DATASHEET

RADIOTRONIX, INC.

# CON-RPSMA-ST DATASHEET

---

© Radiotronics  
905 Messenger Lane  
Moore, Oklahoma 73160  
Phone 405.794.7730 • Fax 405.794.7477  
[www.radiotronics.com](http://www.radiotronics.com)

## Document Control

	SIGNED	DATE
<b>CREATED BY</b>	TJE	5/21/2002
<b>ENGINEERING REVIEW</b>		
<b>MARKETING REVIEW</b>	TJE	6/13/2007
<b>APPROVED- ENG.</b>		
<b>APPROVED- MAR.</b>	TJE	6/13/2007

## Revised History

REVISION	SIGNED	DATE	DESCRIPTION
1.0.0	TJE	6/13/2007	Document created

# Table of Contents

<b>1. DESCRIPTION .....</b>	<b>5</b>
<b>2. DIMENSION SPECIFICATIONS .....</b>	<b>6</b>
<b>3. ELECTRICAL SPECIFICATIONS.....</b>	<b>7</b>
<b>4. MATERIAL SPECIFICATIONS .....</b>	<b>8</b>
<b>5. CUSTOM APPLICATIONS .....</b>	<b>9</b>
<b>6. ORDERING INFORMATION .....</b>	<b>10</b>
6.1. CONTACT INFORMATION .....	10
6.1.1. <i>Technical Support</i> .....	10
6.1.2. <i>Sales Support</i> .....	10

## Index of Tables

Table 1, CON-RPSMA-ST Electrical Specifications.....	7
Table 2, CON-RPSMA-ST Material Specifications .....	8

## Table of Figures

Figure 1: Straight Jack PCB Mount.....	5
Figure 2: CON-RPSMA-ST Dimension Specifications .....	6

## 1. Description

The CON-RPSMA-ST is a PCB, straight reverse polarity SMA connector. These connectors are designed to meet FCC certification requirements and work with all Radiotronics modules. These connectors must use reverse polarity (RPSMA) 50 ohm antennas.

**Important:** CON-RPSMA-ST is RoHS Compliant!



### REVERSE POLARITY SMA STRAIGHT PCB MOUNT

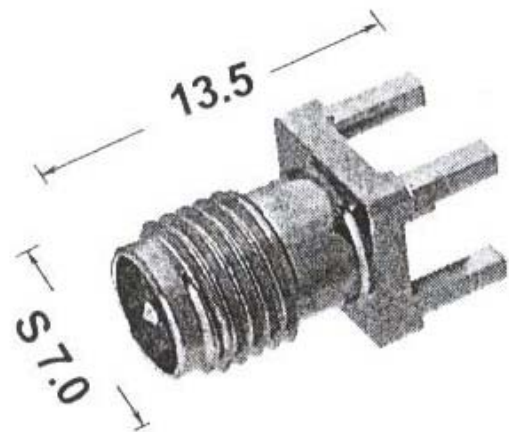
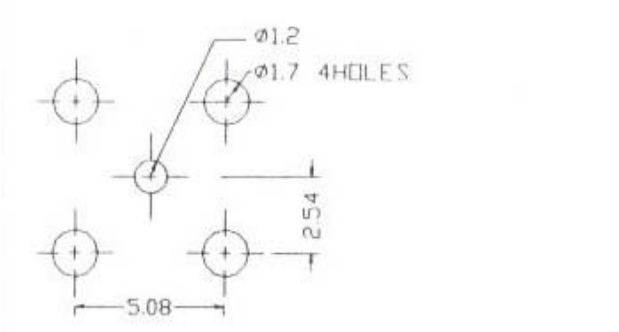


Figure 1: Straight Jack PCB Mount

Chapter  
2

2. Dimension Specifications

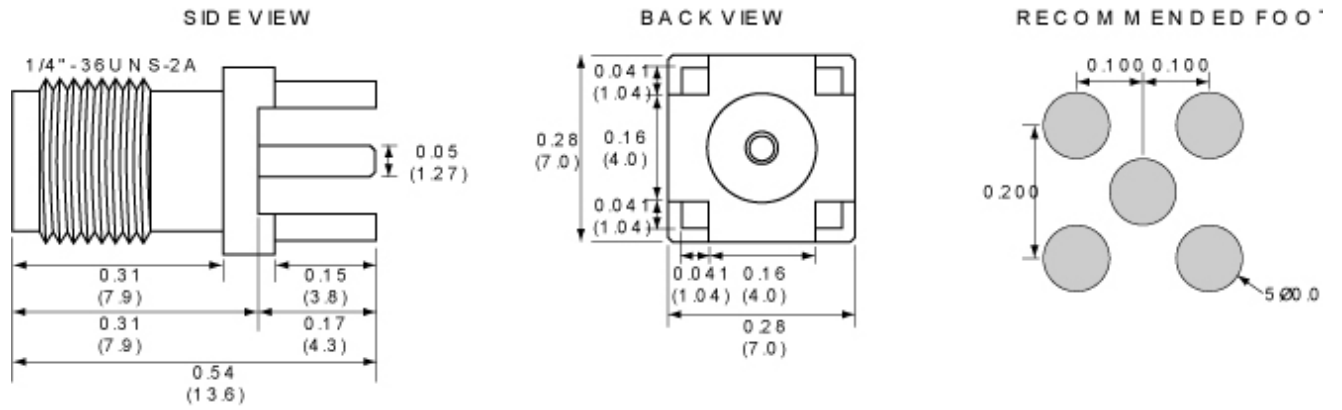


Figure 2: CON-RPSMA-ST Dimension Specifications

### 3. Electrical Specifications

<b>Impedance</b>	50 Ohms
<b>Frequency Range</b>	0 – 12 GHz
<b>V.S.W.R</b>	1.3 @ 2 GHz (straight)
	1.5 @ 2 GHz (right angle)
<b>Dielectric with Standing Voltage</b>	750 Vrms
<b>Voltage Rating</b>	375 Vrms
<b>Insulation Resistance</b>	$\geq 500$ mega ohm
<b>Contact Resistance</b>	
<b>Center Conductor</b>	$\geq 2$ milliohm
<b>Outer Conductor</b>	$\geq 2$ milliohm
<b>Temperature Range</b>	-65 C to +165 C
<b>Insertion Loss</b>	0.3 dB @ 1 GHz (straight)
	0.6 dB @ 1 GHz (right angle)

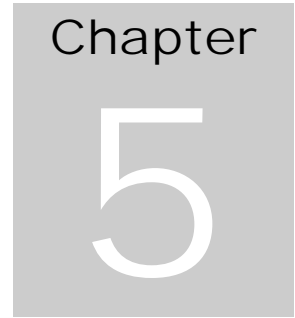
Table 1, CON-RPSMA-ST Electrical Specifications



## 4. Material Specifications

<b>Connector Part</b>	<b>Materials</b>	<b>Plating</b>
Body and Other Parts	Brass or Non-Magnetic Stainless Steel (QQ-S-764.303 Type)	Gold/ Nickel
Inner Contact	Brass or Phosphor (Bronze or BECU)	Gold
Outer Contact	Brass	Gold/ Nickel
Insulation	PTFE	

Table 2, CON-RPSMA-ST Material Specifications



## 5. Custom Applications

Radiotronix can custom-tailor existing products, or design complete turnkey systems for volume customers. For more information on these services, please contact Radiotronix at (405) 794-7730.

## 6. Ordering Information

Product Part Number	Description
CON-RPSMA-ST	Reverse Polarity SMA Straight Connector

### 6.1. Contact Information

Corporate Headquarters:

905 Messenger Lane

Moore, Oklahoma 73160

405-794-7730

website: [www.radiotronix.com](http://www.radiotronix.com)

support: [support@radiotronix.com](mailto:support@radiotronix.com)

#### 6.1.1. Technical Support

Radiotronix has built a solid technical support infrastructure so that you can get answers to your questions when you need them. Our primary technical support tools are the support forum and knowledge base found on our website. We are continuously updating these tools. To find the latest information about these technical support tools, please visit <http://www.radiotronix.com/support>. Our technical support engineers are available Mon-Fri between 9:00 am and 5:00 pm central standard time. The best way to reach a technical support engineer is to submit a Webcase. Webcase submissions can be made at <http://www.radiotronix.com/support/webcase.asp>. For customers that would prefer to talk directly to a support engineer, we do offer phone support free of charge.

#### 6.1.2. Sales Support

Our sales department can be reached via e-mail at [sales@radiotronix.com](mailto:sales@radiotronix.com) or by phone at 405-794-7730. Our sales department is available Mon-Fri between 8:30 am and 5:00 pm central standard time. Visit our web site at <http://www.radiotronix.com/corpsales.asp> for information on where to buy our products.