



## TS4956 stereo audio amplifier system with I<sup>2</sup>C bus interface evaluation board user guidelines

### Introduction

This application note describes the DEMO TS4956 evaluation board, designed for evaluation of the TS4956 stereo audio amplifier.

The evaluation board allows the TS4956 amplifier to be driven directly via the I<sup>2</sup>C bus or by a PC connected to the evaluation board over an RS232 interface.

In this document, you will find:

- A brief description of the TS4956 stereo audio amplifier system,
- A description of the evaluation board,
- A list of the evaluation board components,
- The layout of the evaluation board,
- Information on how to configure the evaluation board using the software. You can download the software TS4956.exe from [www.st.com/audioamps](http://www.st.com/audioamps).

### About the TS4956

The TS4956 is a complete audio system device with three dedicated outputs, one stereo headphone, one loudspeaker drive and one mono line for a hands-free set. The stereo headphone is capable of delivering more than 25 mW per channel of continuous average power into 16  $\Omega$  single-ended loads with 0.3% THD+N from a 5 V power supply. The device functions are controlled via an I<sup>2</sup>C bus, which minimizes the number of external components needed. The overall gain and the various output modes of the TS4956 are controlled digitally by the control registers which are programmed via the I<sup>2</sup>C interface. It also features an internal thermal shutdown.

The TS4956 key features are:

- Stereo audio amplifier system with I<sup>2</sup>C bus interface
- Operating range from  $V_{CC} = 2.7$  V to 5.5 V
- I<sup>2</sup>C bus control interface
- 38 mW output power @  $V_{CC} = 3.3$  V, THD = 1%, F = 1 kHz, with 16 $\Omega$  load
- Ultra-low consumption in standby mode: 0.5  $\mu$ A
- 32-step digital volume control ranging from +12 dB to -34.5 dB
- Stereo loudspeaker option by I<sup>2</sup>C
- 8 different output mode selections
- Pop & click reduction circuitry
- Lead-free flip-chip package, 18 bumps with 300  $\mu$ m diameter
- Output power limitation on headphone for eardrum damage consideration

---

## Contents

|          |   |           |
|----------|---|-----------|
| <b>1</b> | <b>Typical application schematics</b> .....                         | <b>3</b>  |
| <b>2</b> | <b>Description of the evaluation board</b> .....                    | <b>6</b>  |
| <b>3</b> | <b>Evaluation board connectors</b> .....                            | <b>9</b>  |
| <b>4</b> | <b>Evaluation board layout</b> .....                                | <b>11</b> |
| <b>5</b> | <b>TS4956 command software</b> .....                                | <b>12</b> |
|          | Connecting the hardware, and starting the software .....            | 12        |
|          | Configuring the evaluation board using the software interface ..... | 13        |
| <b>6</b> | <b>Revision history</b> .....                                       | <b>14</b> |

# 1 Typical application schematics

[Figure 1 on page 4](#) and [Figure 2. on page 5](#) show typical application schematics for the TS4956 amplifier with different configurations and different modes.

The eight possible output modes are defined in [Table 1](#).

**Table 1. Output mode selection: Gain from -34.5 dB to + 12 dB (by steps of 1.5 dB)**

| Output mode # | RHP            | LHP            | Speaker P/N    | Mono L/O       |
|---------------|----------------|----------------|----------------|----------------|
| 0             | SD             | SD             | SD             | SD             |
| 1             | SD             | SD             | GX (MIP + MIN) | SD             |
| 2             | SD             | SD             | GX (RIN + LIN) | SD             |
| 3             | GX (MIP + MIN) | GX (MIP + MIN) | SD             | SD             |
| 4             | G x RIN        | G x LIN        | SD             | SD             |
| 5             | SD             | SD             | SD             | GX (MIP + MIN) |
| 6             | SD             | SD             | SD             | GX (RIN + LIN) |
| 7             | BTL: G x RIN   | BTL: G x RIN   | G x LIN        | SD             |

Where:

SD = shutdown mode

G = audio gain

MIP = mono input positive

MIN = mono input negative

RIN = stereo input right

LIN = stereo input left

For complete information about the TS4956, refer to the datasheet.

Figure 1. Typical application for the TS4956 (mode 1, 2, 3, 4, 5, 6)

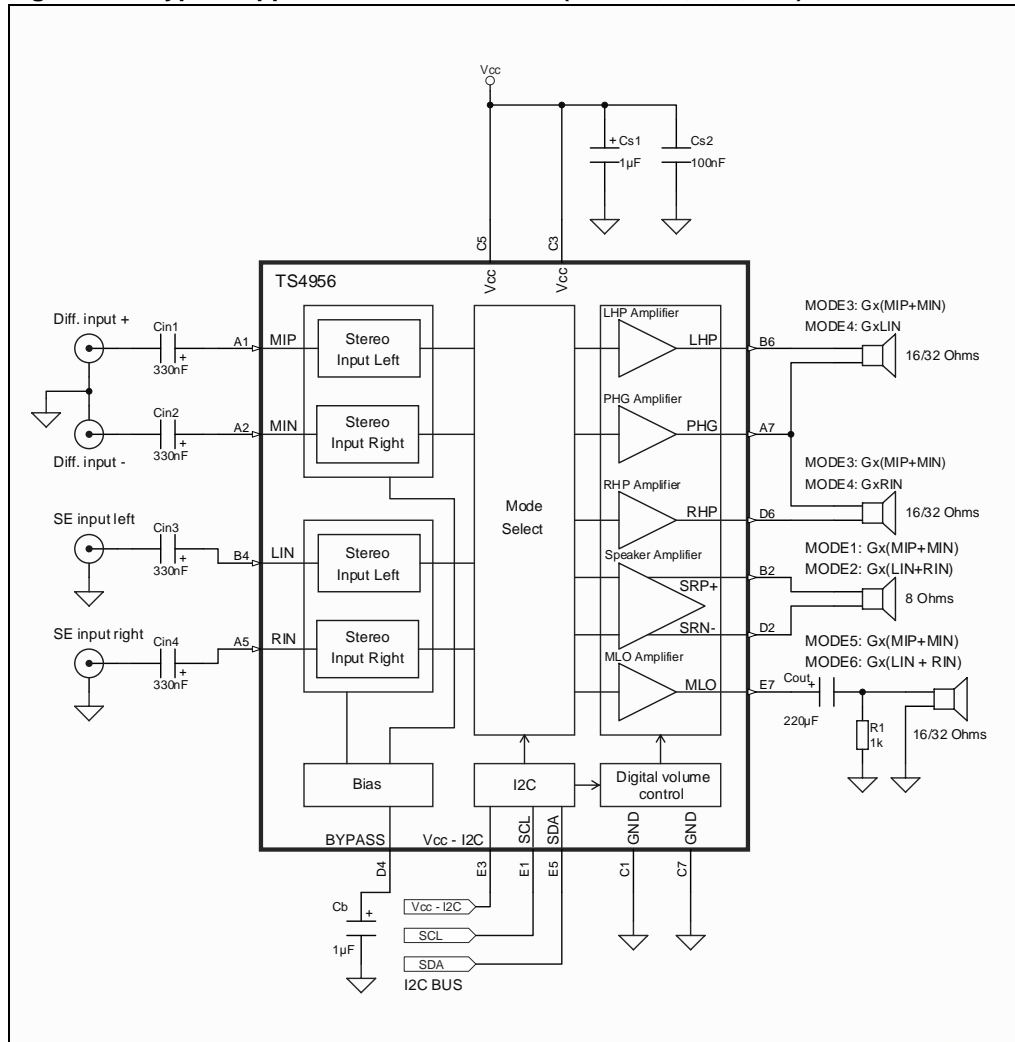
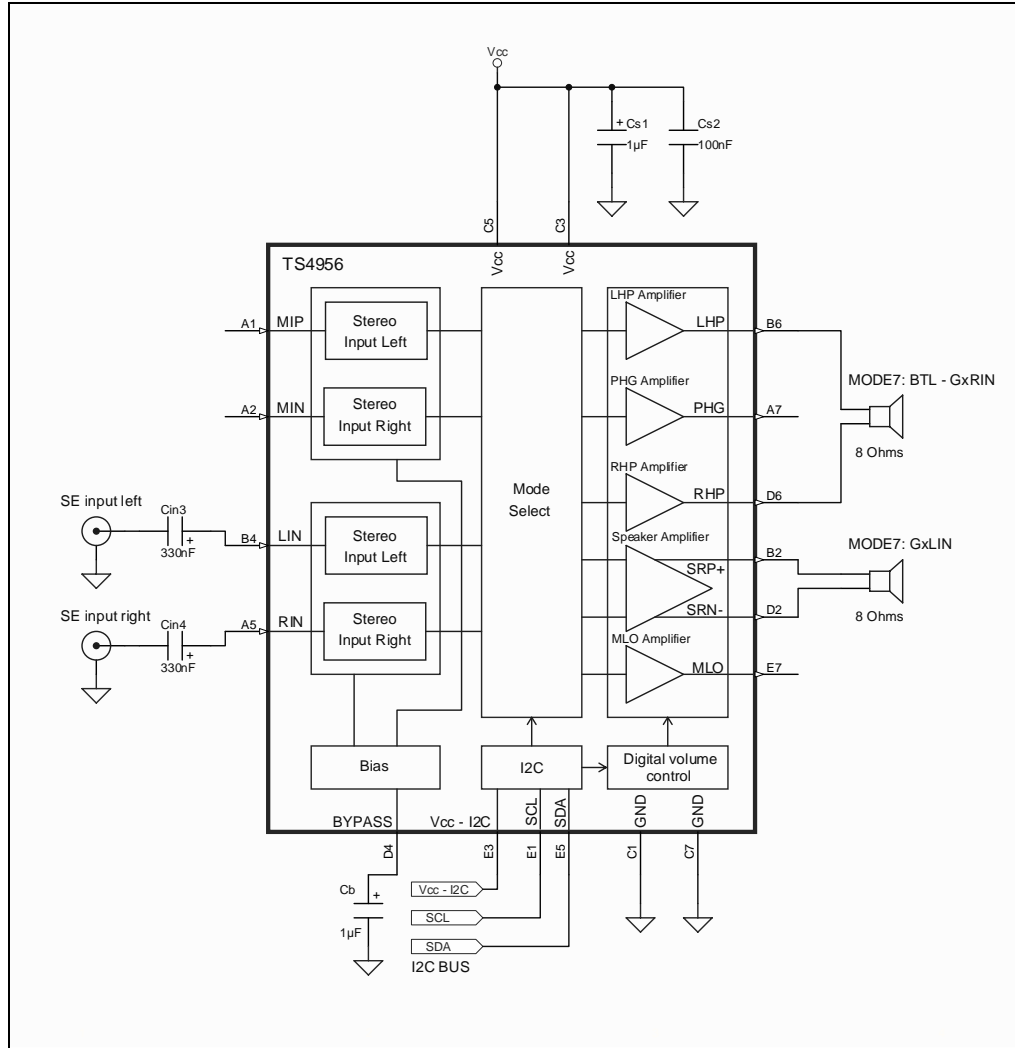


Figure 2. Typical application for the TS4956 (mode 7)



## 2 Description of the evaluation board

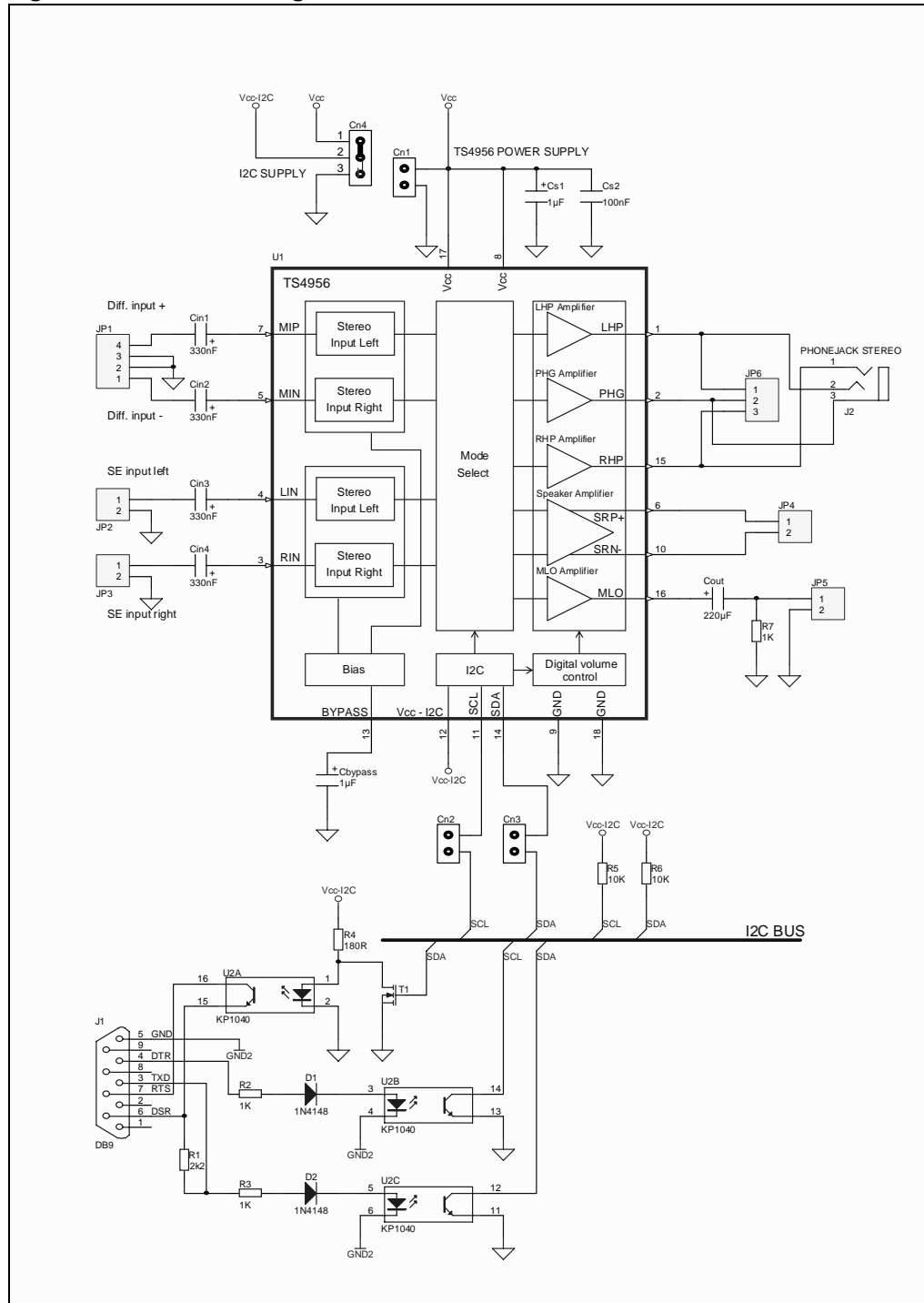
The evaluation board is divided into two parts. One part includes a typical application for the TS4956 and provides connectors for stereo headphones with a load of 16/32 $\Omega$ . The other part allows you to evaluate I<sup>2</sup>C bus control of the TS4956 using a PC. These two parts are opto-separated in order to obtain better suppression of noise caused by the PC power supply.

With this evaluation board you can use the TS4956 amplifier in most typical applications with typical external components. You can also use the on-board I<sup>2</sup>C circuit or external I<sup>2</sup>C controller to control the TS4956 amplifier (see [Section 3: Evaluation board connectors on page 9](#)).

For I<sup>2</sup>C control, the V<sub>CC</sub>-I<sup>2</sup>C voltage needs to be applied to the I<sup>2</sup>C V<sub>CC</sub> pin of the TS4956 and to the on-board I<sup>2</sup>C circuit. There are two ways of supplying this input:

- One solution is to use the V<sub>CC</sub> voltage of the amplifier by shorting pins 1 and 2 of connector Cn4 using a jumper. Note that in this case the supply current is higher than the TS4956 supply current itself due to additional current flowing through the on-board I<sup>2</sup>C circuit.
- The second solution is to use an external power supply connected to connector Cn4 to supply the I<sup>2</sup>C V<sub>CC</sub> input. In this case, the current that supplies the analog part of the evaluation board is equal to the supply current of the TTS4956 itself. (See [Section 3: Evaluation board connectors on page 9](#)).

Figure 3. Schematic diagram of the evaluation board



**Table 2. Evaluation board bill of materials**

| Designation  | Quantity | Description                             |
|--|----------|---|
| U1   | 1        | TS4956 flip-chip to DIP16 adapter       |
| U2   | 1        | KP1040 photo coupler                    |
| $C_{\text{bypass}}, C_{\text{S1}}$                               | 2        | 1 $\mu$ F/50V, electrolytic capacitor   |
| $C_{\text{S2}}$  | 1        | 100nF/63V, ceramic capacitor            |
| $C_{\text{in1}}, C_{\text{in2}}, C_{\text{in3}}, C_{\text{in4}}$ | 4        | 330nF/63V, ceramic capacitors           |
| $C_{\text{out}}$   | 1        | 220 $\mu$ F/10V, electrolytic capacitor |
| R1   | 1        | 2k2, 0.6W 1% resistor                   |
| R2, R3, R7   | 3        | 1k, 0.6W 1% resistor                    |
| R4   | 1        | 180R, 0.6W 1% resistor                  |
| R5, R6   | 2        | 10k, 0.6W 1% resistor                   |
| J1   | 1        | Dsub 9 pins socket (female)             |
| J2   | 1        | 3.5mm stereo headphone jack             |
| ---  | 3        | Jumper, 2.54mm pitch                    |
| D1, D2   | 2        | Diode 1N4148                            |
| T1   | 1        | N-channel MOSFET transistor, BS170      |
| Cn1, Cn2, Cn3  | 3        | 2 pins header 2.54mm pitch              |
| Cn4  | 1        | 3 pins header 2.54mm pitch              |
| JP1  | 1        | 4 pins header 2.54mm pitch              |
| JP2, JP3, JP4, JP5   | 4        | 2 pins header 2.54mm pitch              |
| JP6  | 1        | 3 pins header 2.54mm pitch              |



### 3 Evaluation board connectors

Caution: When you apply the power supply through Cn1 and Cn4, **DO NOT** invert the polarity because it would destroy the amplifier at U1.


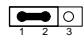
| Connectors      | Description   |
|-----------------|---|
| <b>Cn1</b>      | Power connector for analog part of $V_{CC}$ . Power supply voltage from 2.7 V to 5.5 V.   |
| <b>Cn2, Cn3</b> | When pins of Cn2 and Cn3 are shorted by jumpers, the TS4956 can be driven by on-board I <sup>2</sup> C circuits or from a PC. When pins of Cn2 and Cn3 are disconnected, the TS4956 can be driven by an external I <sup>2</sup> C interface over Cn2 and Cn3 pins. The Cn4 connector must be supplied by $V_{CC-I^2C}$ voltage in both cases.   |
| <b>Cn4</b>      | <p>Connector for <math>V_{CC-I^2C}</math> power supply.</p> <p>Possible configuration settings:</p> <ul style="list-style-type: none"> <li>–  pins 2 and 3 are shorted, <math>V_{CC-I^2C}</math> is grounded and the TS4956 is in total shutdown with ultra low current consumption.</li> <li>–  pins 1 and 2 are shorted, <math>V_{CC-I^2C}</math> is supplied by <math>V_{CC}</math> of the TS4956.</li> </ul> <p>After removing a jumper, the <math>V_{CC-I^2C}</math> can be supplied by an external voltage:</p> <ul style="list-style-type: none"> <li>– Pin 2 of Cn4 is connected to an external <math>V_{CC-I^2C}</math> supply (positive node)</li> <li>– And pin 3 of Cn4 is connected to the ground pin (negative node) of the <math>V_{CC-I^2C}</math> supply.</li> </ul> <p>In this case, ensure the condition <math>2.7\text{ V} \leq V_{CC-I^2C} \leq V_{CC}</math> is respected for proper operation.</p> |
| <b>J1</b>       | RS232 connector (DSR, TRS, TXD, DTR, GND2).   |
| <b>J2</b>       | Stereo jack for connecting stereo headphones 16/32 $\Omega$ (LHP, RHP, PHG)   |
| <b>JP1</b>      | Input signal connector (MIP, MIN, GND).   |
| <b>JP2</b>      | Input signal connector (LIN, GND).  |
| <b>JP3</b>      | Input signal connector (RIN, GND).  |
| <b>JP4</b>      | Output signal connector (SRP, SRN).   |
| <b>JP5</b>      | Output signal connector (MLO, GND).   |
| <b>JP6</b>      | Output signal connector (LHP, RHP, PHG).  |

Figure 4. TS4956 flip-chip adapter pinout

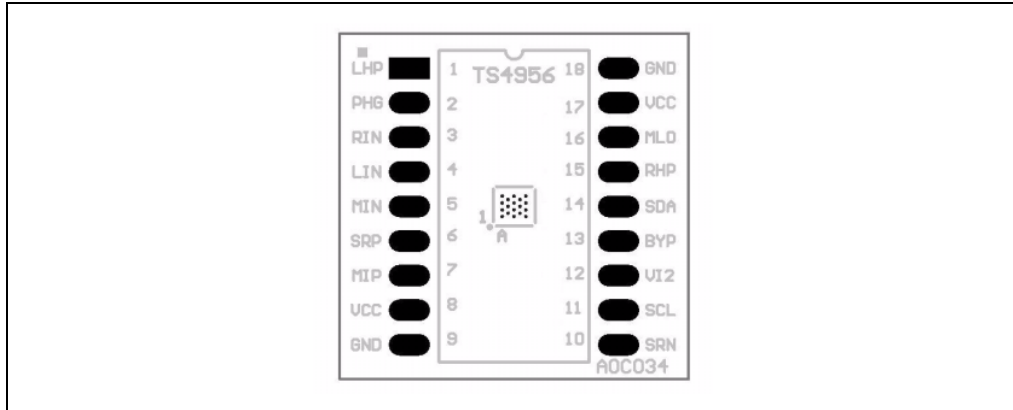
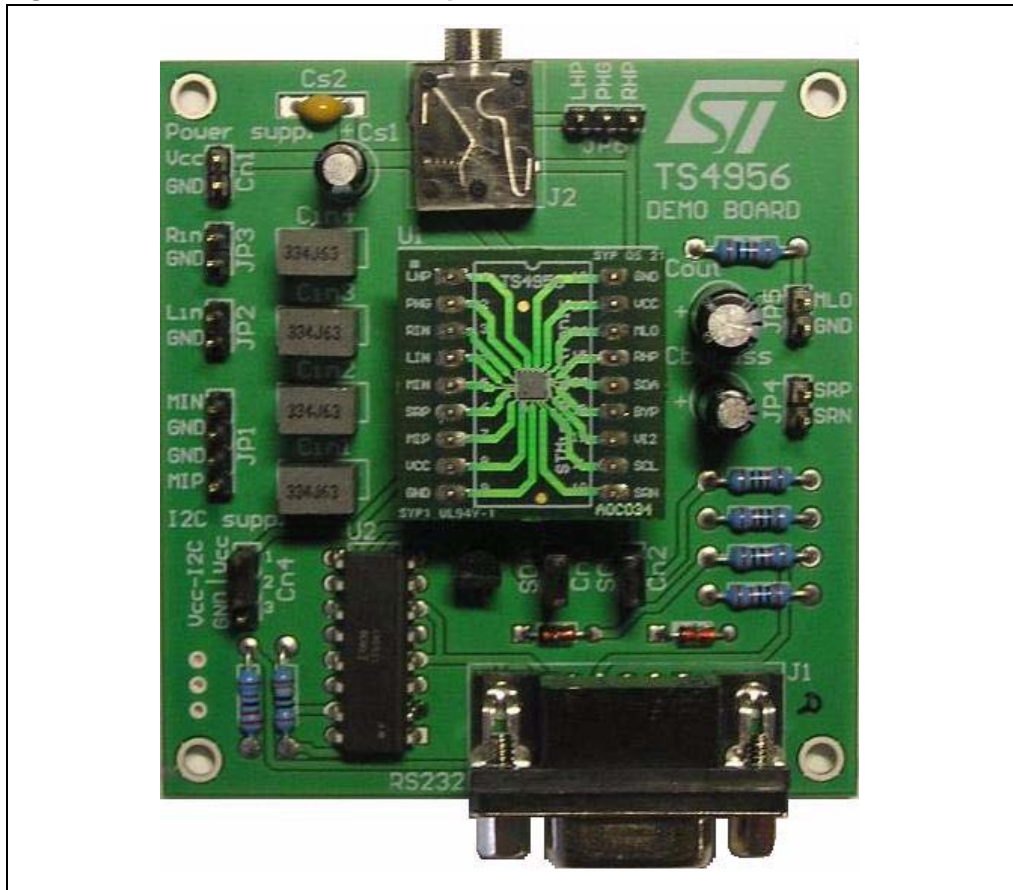


Figure 5. TS4956 DEMO BOARD top view



## 4 Evaluation board layout

The following schematics show the various layers and the top view of the evaluation board.

Figure 6. PCB top layer

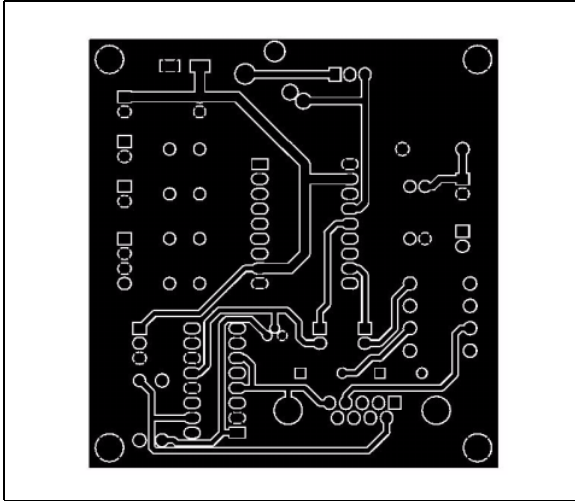


Figure 7. PCB bottom layer

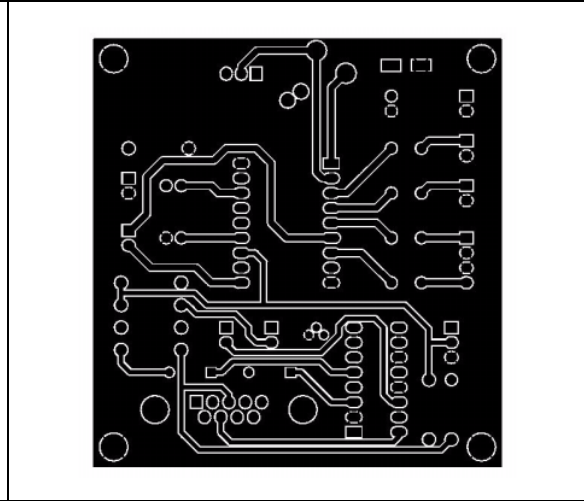
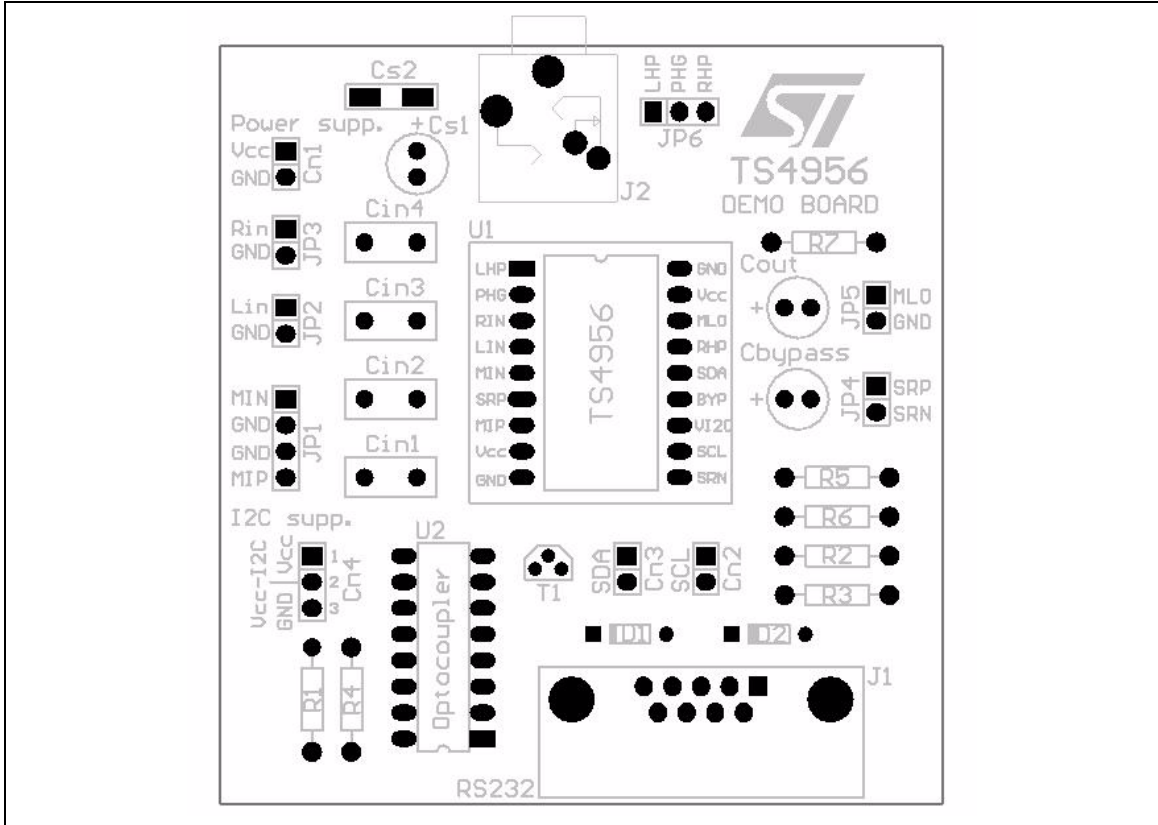


Figure 8. Top view of evaluation board



## 5 TS4956 command software

The TS4956 command software provides a quick and easy way of driving the TS4956 audio system from a PC, and in particular of configuring the output mode and the volume.

The software is available for download from the [www.st.com/audioamps](http://www.st.com/audioamps) web site. It runs under MS Windows 95/98/ME/2000/XP.

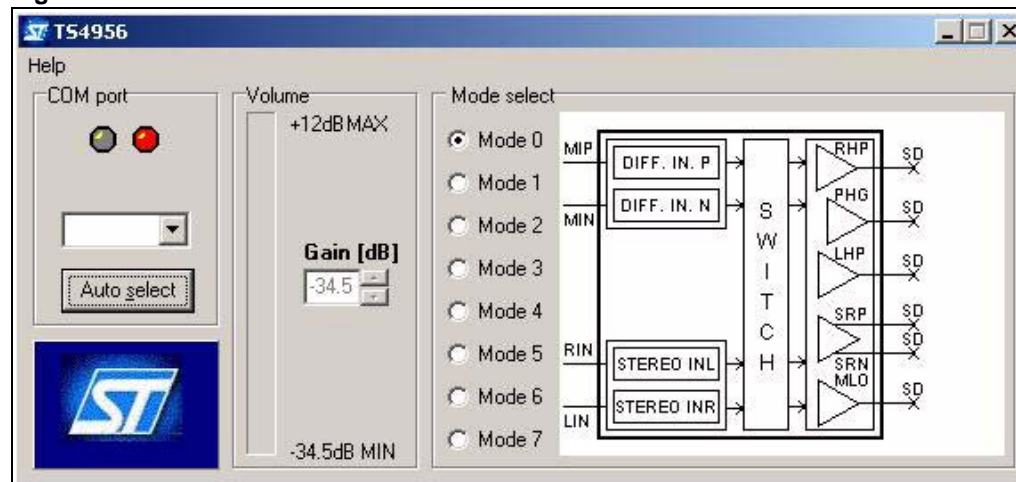
### Connecting the hardware, and starting the software

To drive the TS4956 from a PC, follow these steps:

1. Connect the PC to the TS4956 evaluation board with the RS232 cord.
2. Connect the power supply  $V_{CC}$  to Cn1, set jumper on Cn4 to short pins 1 and 2 or connect the external  $V_{CC}$ -I<sup>2</sup>C supply to Cn4 to supply the I<sup>2</sup>C part externally.
3. Launch the TS4956.exe program downloaded from the [st.com](http://st.com) web site.

The software dialog box shown in [Figure 9](#) is displayed.

**Figure 9. Command software view**



4. Choose the appropriate COM port from the pop-up menu in the COM Port box or click Auto Select for the program to select the COM port automatically.

When the green LED diode in the *COM Port* box lights up, the program is ready to send commands to the TS4956.

**Note:** *The COM port where the device is connected must be in the range from COM1 to COM4. If this is not the case, change the COM port number in Windows by selecting **Start>Control Panel>System>Hardware>Device Manager**.*

## Configuring the evaluation board using the software interface

There are two options that can be configured using the software interface:

- **Volume:** Changes the gain in the range from -34.5dB to +12 dB by steps of 1.5dB.
- **Mode select:** Allows you to select the TS4956 output mode. The schema in the Mode Select box summarizes the mode currently selected and shows which inputs and outputs are active.

These options are illustrated in the command software view in [Figure 9](#).

*Note:* Occasionally, problems may arise when trying to drive the evaluation board using certain notebook or laptop PCs and the RS232 output.

## 6 Revision history

Table 3. Document revision history

| Date        | Revision | Changes               |
|-------------|----------|-----------------------|
| 14-Nov-2006 | 2        | First public release. |

**Please Read Carefully:**

Information in this document is provided solely in connection with ST products. STMicroelectronics NV and its subsidiaries ("ST") reserve the right to make changes, corrections, modifications or improvements, to this document, and the products and services described herein at any time, without notice.

All ST products are sold pursuant to ST's terms and conditions of sale.

Purchasers are solely responsible for the choice, selection and use of the ST products and services described herein, and ST assumes no liability whatsoever relating to the choice, selection or use of the ST products and services described herein.

No license, express or implied, by estoppel or otherwise, to any intellectual property rights is granted under this document. If any part of this document refers to any third party products or services it shall not be deemed a license grant by ST for the use of such third party products or services, or any intellectual property contained therein or considered as a warranty covering the use in any manner whatsoever of such third party products or services or any intellectual property contained therein.

**UNLESS OTHERWISE SET FORTH IN ST'S TERMS AND CONDITIONS OF SALE ST DISCLAIMS ANY EXPRESS OR IMPLIED WARRANTY WITH RESPECT TO THE USE AND/OR SALE OF ST PRODUCTS INCLUDING WITHOUT LIMITATION IMPLIED WARRANTIES OF MERCHANTABILITY, FITNESS FOR A PARTICULAR PURPOSE (AND THEIR EQUIVALENTS UNDER THE LAWS OF ANY JURISDICTION), OR INFRINGEMENT OF ANY PATENT, COPYRIGHT OR OTHER INTELLECTUAL PROPERTY RIGHT.**

**UNLESS EXPRESSLY APPROVED IN WRITING BY AN AUTHORIZED ST REPRESENTATIVE, ST PRODUCTS ARE NOT RECOMMENDED, AUTHORIZED OR WARRANTED FOR USE IN MILITARY, AIR CRAFT, SPACE, LIFE SAVING, OR LIFE SUSTAINING APPLICATIONS, NOR IN PRODUCTS OR SYSTEMS WHERE FAILURE OR MALFUNCTION MAY RESULT IN PERSONAL INJURY, DEATH, OR SEVERE PROPERTY OR ENVIRONMENTAL DAMAGE. ST PRODUCTS WHICH ARE NOT SPECIFIED AS "AUTOMOTIVE GRADE" MAY ONLY BE USED IN AUTOMOTIVE APPLICATIONS AT USER'S OWN RISK.**

Resale of ST products with provisions different from the statements and/or technical features set forth in this document shall immediately void any warranty granted by ST for the ST product or service described herein and shall not create or extend in any manner whatsoever, any liability of ST.

ST and the ST logo are trademarks or registered trademarks of ST in various countries.

Information in this document supersedes and replaces all information previously supplied.

The ST logo is a registered trademark of STMicroelectronics. All other names are the property of their respective owners.

© 2006 STMicroelectronics - All rights reserved

STMicroelectronics group of companies

Australia - Belgium - Brazil - Canada - China - Czech Republic - Finland - France - Germany - Hong Kong - India - Israel - Italy - Japan - Malaysia - Malta - Morocco - Singapore - Spain - Sweden - Switzerland - United Kingdom - United States of America

[www.st.com](http://www.st.com)

