



FEATURES

- Replaces DP-650, DP-652 and DP-654 meters
- Connects directly to existing wiring
- ±2V input range
- Low power consumption
- Wider operating temperature range (0 to +60°C)
- Rugged, epoxy-encapsulated plastic packages
- Large (0.47/10.2mm) LCD displays

ORDERING INFORMATION

DMS-30194	±2V input
DMS-30193	±200mV input (Obsolete)
DMS-30195	±20V input (Obsolete)
DMS-BZL1	Bezel assembly
DMS-BZL2	Bezel with gasket
DMS-30-CP	Panel cutout punch

DATEL's DMS-3019X Series, 3½ Digit, LCD Display, Digital Panel Voltmeters provide DP-650 users with a superior-quality alternate source. The DMS-3019X Series input/ output connector is pin-compatible with nearly all DP-650 applications. Only minor sheetmetal modifications are needed to attain all the advantages offered by the DMS-3019X Series digital voltmeters.

Provisions are also included for the addition of custom input-scaling resistors—a feature found only on DMS-3019X meters. Autozero calibration, autopolarity changeover and a factory-calibrated ultra-stable reference circuit are standard. A reliable, epoxyencapsulated DMS-30LCD digital voltmeter, with large (0.47/10.2mm) LCD digits, is used in all three models. All internal and external connections are 100% soldered—no elastomeric connectors are used.

The DMS-3019X Series offers many noteworthy improvements over its competitors: wider operating temperature range, lower power consumption and higher input impedance, to name a few. And, most importantly, all DATEL digital panel meters are designed and manufactured in the USA!

SIMPLIFIED SCHEMATIC DIAGRAM

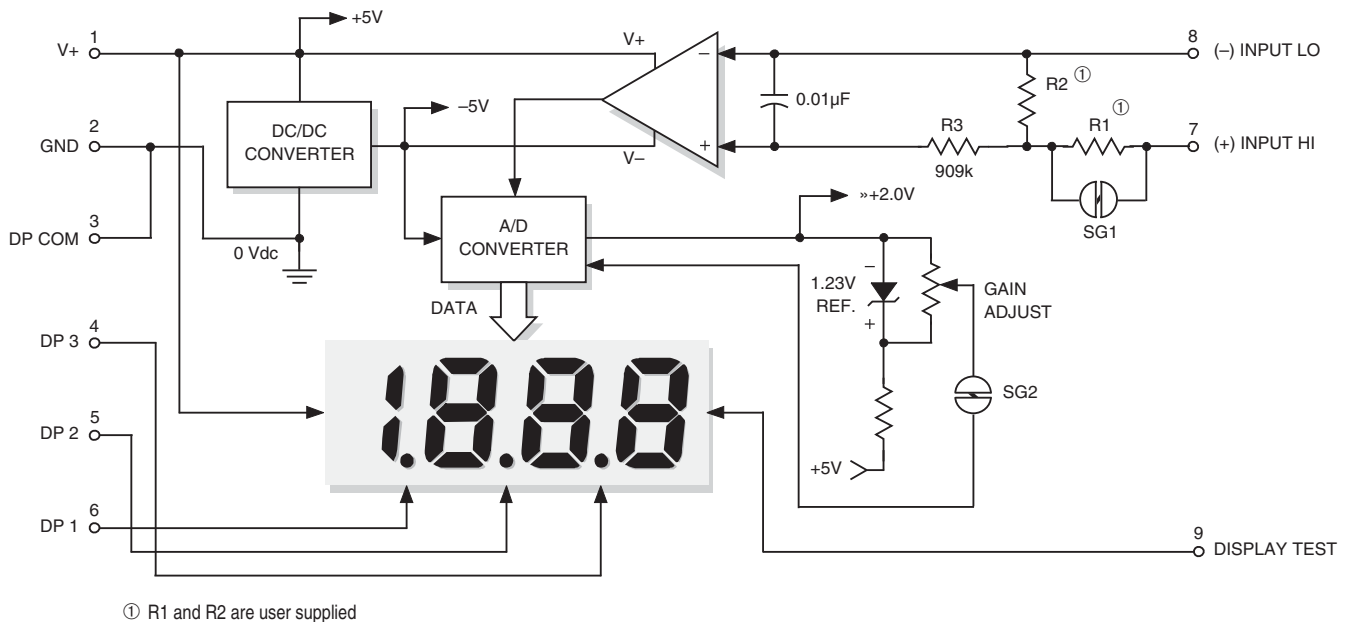
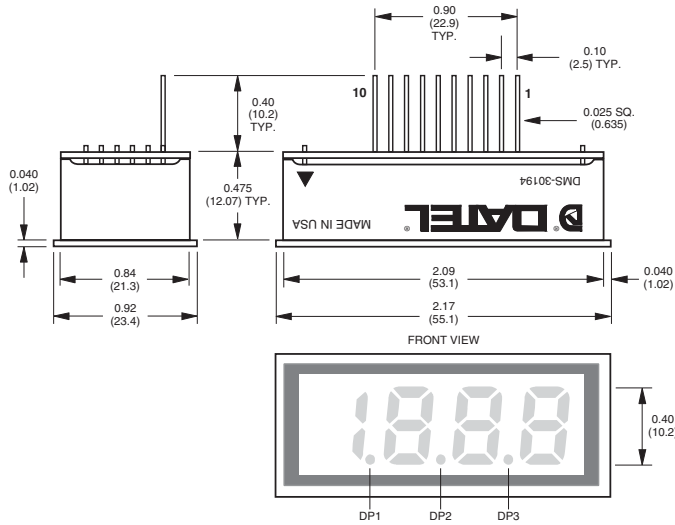


Figure 1. DMS-3019X Simplified Schematic



MECHANICAL SPECIFICATIONS

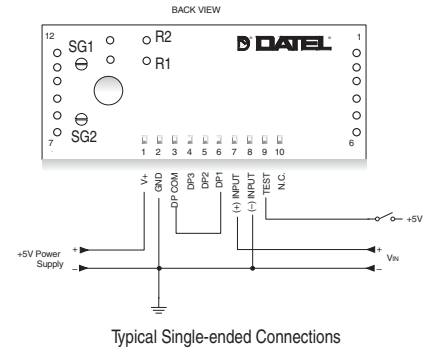
TOLERANCES: 2 PL DEC ±0.02 (±0.51) 3 PL DEC ±0.010 (±0.254)
 LEAD DIMENSIONS: 0.025 (0.635) x 0.025 (0.635) NOMINAL



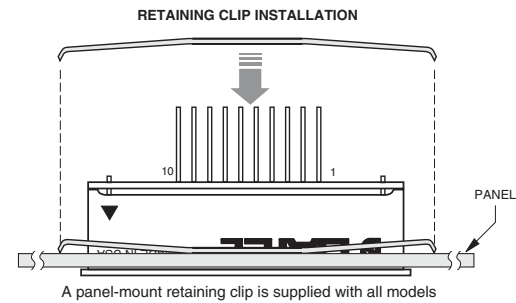
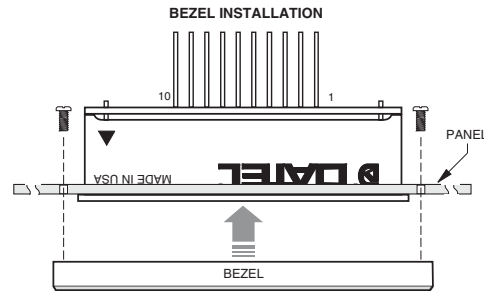
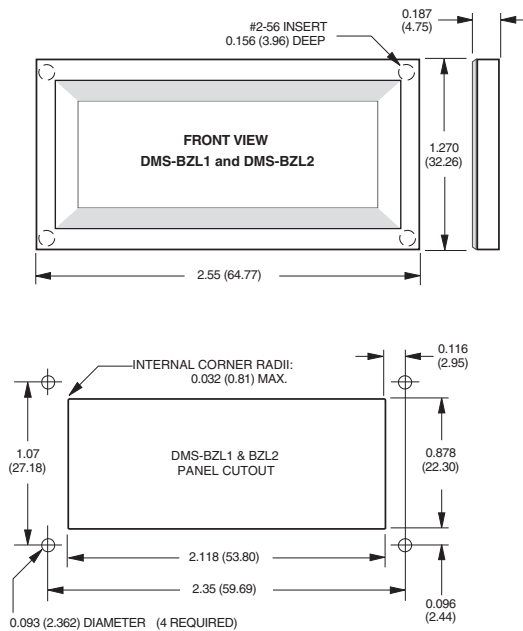
ELECTRICAL SPECIFICATIONS

Typical at TA = +25°C and supply voltage = +5V.
 (See DMS-30LCD data sheet for more information.)

Power Supply (V+ to GND)	+5Vdc, ±5% @ 1.2mA max.
Full Scale Input	See Ordering Information
Input Impedance	1 Megohm
Sampling Rate	3 Samples per second
Accuracy (VIN = +0.190V)	±2 Counts max. (±0.1%)
Display Type	3½ Digit LCD, 0.40"/10.2mm high
Operating Temperature	0 to +60°C
Storage Temperature	-20 to +75°C
Humidity (Non-condensing)	0-95%



BEZEL INSTALLATION AND RECOMMENDED DRILL AND PANEL CUTOUT



Murata Power Solutions, Inc.
 11 Cabot Boulevard, Mansfield, MA 02048-1151 U.S.A.
 Tel: (508) 339-3000 (800) 233-2765 Fax: (508) 339-6356
 www.murata-ps.com email: sales@murata-ps.com ISO 9001 and 14001 REGISTERED

Murata Power Solutions, Inc. makes no representation that the use of its products in the circuits described herein, or the use of other technical information contained herein, will not infringe upon existing or future patent rights. The descriptions contained herein do not imply the granting of licenses to make, use, or sell equipment constructed in accordance therewith. Specifications are subject to change without notice.
 © 2009 Murata Power Solutions, Inc.

- USA:** Mansfield (MA), Tel: (508) 339-3000, email: sales@murata-ps.com
- Canada:** Toronto, Tel: (866) 740-1232, email: toronto@murata-ps.com
- UK:** Milton Keynes, Tel: +44 (0)1908 615232, email: mk@murata-ps.com
- France:** Montigny Le Bretonneux, Tel: +33 (0)1 34 60 01 01, email: france@murata-ps.com
- Germany:** München, Tel: +49 (0)89-544334-0, email: munich@murata-ps.com
- Japan:** Tokyo, Tel: 81-3-3779-1031, email: japan@murata-ps.com
 Kyoto, Tel: 81-75-955-7269, email: japan@murata-ps.com
- China:** Shanghai, Tel: +86 215 027 3678, email: shanghai@murata-ps.com
 Guangzhou, Tel: +86 208 221 8066, email: guangzhou@murata-ps.com
- Singapore:** Parkway Centre, Tel: +65 6348 9096, email: singapore@murata-ps.com