

N-90MD

Electrical Specifications (@25°C)

1. Maximum Power: 250 VA
2. Input Voltage: 115 V, 50 / 60 Hz
3. Output Voltage: 115V \pm 5%
4. Full Secondary Load: 2.17 Amps RMS
5. Voltage Regulation: 5 % TYP @ full load to no load
6. Leakage Current: <math><50\mu\text{A}</math> between primary and secondary*

Description:

The N-90MD is power transformer for isolating equipment from direct connection to the power line. It is designed and constructed to meet the low leakage current requirements for today's medical equipment. The primary and secondary are wound on separate arbors, then assembled on a laminate core side-by-side separated by insulation. This prevents electrical connection under normal or overload conditions between the primary and secondary windings. This hospital type unit is offered with a resettable circuit breaker, providing protection from overload or short circuit conditions.

Safety:

These units are designed with 1500V isolation between winding to winding and between winding and core. Materials and construction are rated for Class B insulation system.



UL 544 File: E10290†

Dimensions:

Unit: In inches

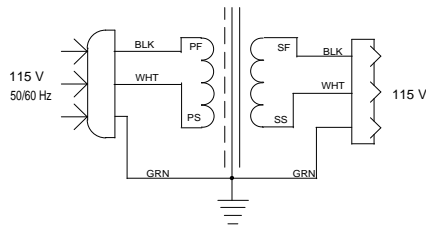
A	B	C	D	E
4.625	3.875	6.125	3.00	4.937

Weight: 11.9.0 lbs

Mounting Holes: .375 x .187

Connections: 6 ft. long cord, 5-15P NEMA Plug, 5-15R NEMA Receptacle

Schematic:

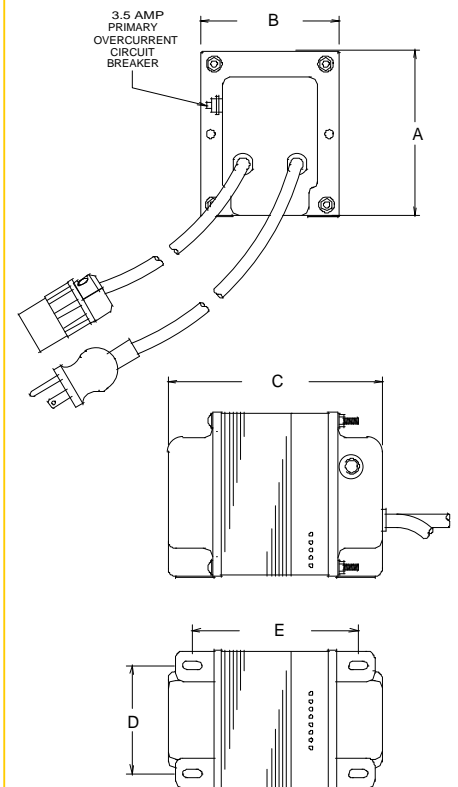


* Leakage current between primary and secondary is typically measured at less than 10 μ A.

† UL listing is only valid on parts produced on or before December 31, 2009. Parts will carry a date code of "0952" or earlier.

RoHS Compliance: As of manufacturing date February 2005, all standard products meet the requirements of 2002/95/EC, known as the RoHS initiative.

* Upon printing, this document is considered "uncontrolled". Please contact Triad Magnetics' website for the most current version.



Web: www.TriadMagnetics.com
Phone 951-277-0757
Fax 951-277-2757

22520B Temescal Canyon Road
Corona, California
92883

Publish Date: July 23, 2010