



### FEATURES

- J-STD-020D reflow
- RoHS compliant
- Maxim MAX250/MAX251 compatible
- Isolation to 4kVrms
- Industry-standard pinout
- Surface mount option
- UL 94 V-0 package materials
- Low profile
- Toroidal construction
- Industrial temperature range

### DESCRIPTION

The 78250 series of converter transformers are specifically designed for use with Maxim chipsets to provide isolated RS232 interfaces. Carefully controlled turns ratios ensure consistent performance whilst a toroidal construction minimises EMI.

For through hole versions see 78250 datasheet.

### CHARACTERISTICS 78250JC

Parameter	Conditions	Min.	Typ.	Max.	Units
Primary Inductance, $L_p$	10kHz, 100mV	1.0	2.0	2.5	mH
Leakage Inductance, $L_L$	100kHz, 100mV		0.6	3.0	$\mu$ H
Interwinding Capacitance, $C_{ww}$	100kHz, 100mV		48	90	pF
Primary D.C. Resistance, $R_{dc}$	<0.1VDC		0.7	2.0	$\Omega$
Volt-time Product, Et	Pins1/2 or 2/3	50			V $\mu$ s
Turns Ratio			1:1		

### CHARACTERISTICS 78250JVC

Parameter	Conditions	Min.	Typ.	Max.	Units
Primary Inductance, $L_p$	10kHz, 100mV	1.0	2.0	2.5	mH
Leakage Inductance, $L_L$	100kHz, 100mV		35	40	$\mu$ H
Interwinding Capacitance, $C_{ww}$	100kHz, 100mV		4	10	pF
Primary D.C. Resistance, $R_{dc}$	<0.1VDC		0.9	1.8	$\Omega$
Volt-time Product, Et	Pins1/2 or 2/3	50			V $\mu$ s
Turns Ratio			1:1		

### ORDER CODE DETAILS

Order Code	Package Type	Packaging Type	Quantity
<b>78250JC / 78250JVC</b>	6 Pin SM	Tube	50
<b>78250JC-R / 78250JVC-R</b>	6 Pin SM	Tape & Reel	500

### ABSOLUTE MAXIMUM RATINGS

Operating free air temperature range	-40°C to 85°C
Storage temperature range	-50°C to 125°C
Lead temperature 1.5mm from case for 10 seconds	300°C
Peak current, $I_{PK}$	300mA
Isolation voltage 78250(M)C (flash tested for 1 second)	1.5kVrms
Isolation voltage 78250V(M)C (flash tested for 1 second)	4.0kVrms

All specifications typical at  $T_A=25^\circ\text{C}$

### TECHNICAL NOTES

#### ISOLATION VOLTAGE

'Hi Pot Test', 'Flash Tested', 'Withstand Voltage', 'Proof Voltage', 'Dielectric Withstand Voltage' & 'Isolation Test Voltage' are all terms that relate to the same thing, a test voltage, applied for a specified time, across a component designed to provide electrical isolation, to verify the integrity of that isolation.

All products in this series are 100% production tested at their stated isolation voltage.

A question commonly asked is, "What is the continuous voltage that can be applied across the part in normal operation?"

For a part holding no specific agency approvals both input and output should normally be maintained within SELV limits i.e. less than 42.4V peak, or 60VDC. The isolation test voltage represents a measure of immunity to transient voltages and the part should never be used as an element of a safety isolation system. The part could be expected to function correctly with several hundred volts offset applied continuously across the isolation barrier; but then the circuitry on both sides of the barrier must be regarded as operating at an unsafe voltage and further isolation/insulation systems must form a barrier between these circuits and any user-accessible circuitry according to safety standard requirements.

#### REPEATED HIGH-VOLTAGE ISOLATION TESTING

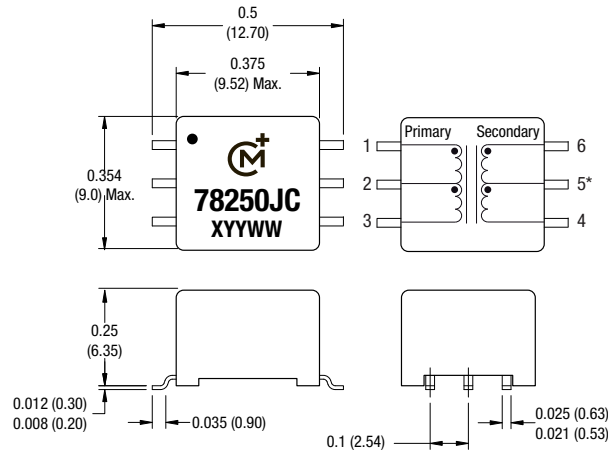
It is well known that repeated high-voltage isolation testing of a barrier component can actually degrade isolation capability, to a lesser or greater degree depending on materials, construction and environment. This series has toroidal isolation transformers, with no additional insulation between primary and secondary windings of enameled wire. While parts can be expected to withstand several times the stated test voltage, the isolation capability does depend on the wire insulation. Any material, including this enamel (typically polyurethane) is susceptible to eventual chemical degradation when subject to very high applied voltages thus implying that the number of tests should be strictly limited. We therefore strongly advise against repeated high voltage isolation testing, but if it is absolutely required, that the voltage be reduced by 20% from specified test voltage.

This consideration equally applies to agency recognized parts rated for better than functional isolation where the wire enamel insulation is always supplemented by a further insulation system of physical spacing or barriers.



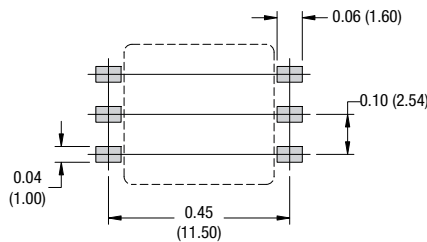
## PACKAGE SPECIFICATIONS

### MECHANICAL DIMENSIONS



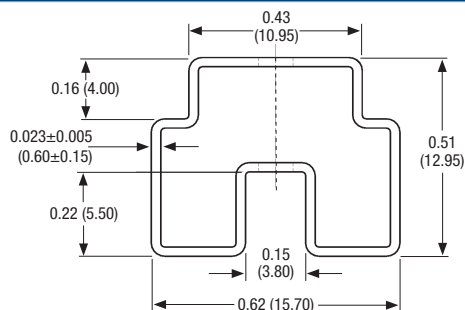
Unless otherwise stated all dimensions in inches (mm)  $\pm 0.01$  (0.25).  
All pins on a 0.1 (2.54) pitch and within  $\pm 0.01$  (0.25) of true position.  
\* Pin 5 is connected to secondary center tap. Package Weight 1.0g TYP.

### RECOMMENDED FOOTPRINT DETAILS



Unless otherwise stated all dimensions in inches (mm)  $\pm 0.01$  (0.25). All pins on a 0.1 (2.54) pitch and within  $\pm 0.01$  (0.25) of true position.

### TUBE OUTLINE DIMENSIONS



Unless otherwise stated all dimensions in inches (mm)  $\pm 0.01$  (0.25).  
Tube length: 18.3 $\pm$ 0.08 (465 $\pm$ 2).  
Tube material: Antistatic coated clear pvc.

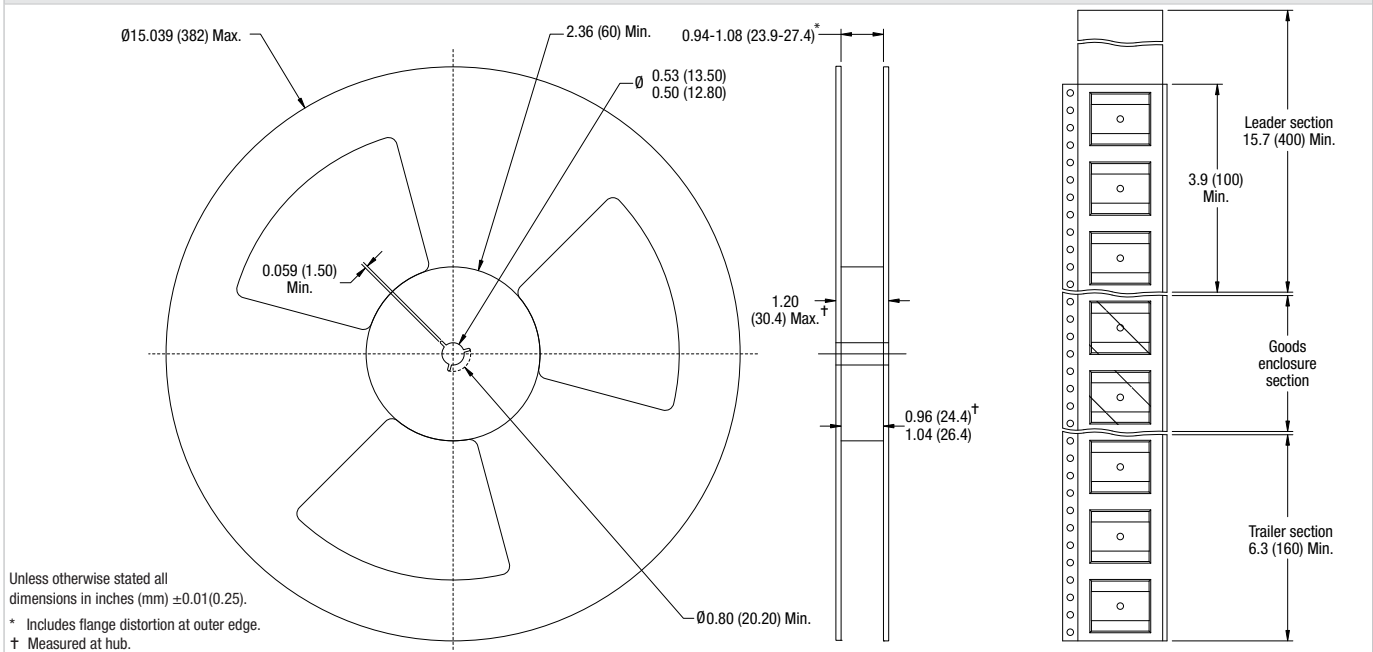
### SOLDERING INFORMATION<sup>1</sup>

Pin finish	Matte tin
Max. peak reflow temperature	245°C
Moisture sensitivity level <sup>2</sup>	1
Max. time above liquidous (217°C)	100s

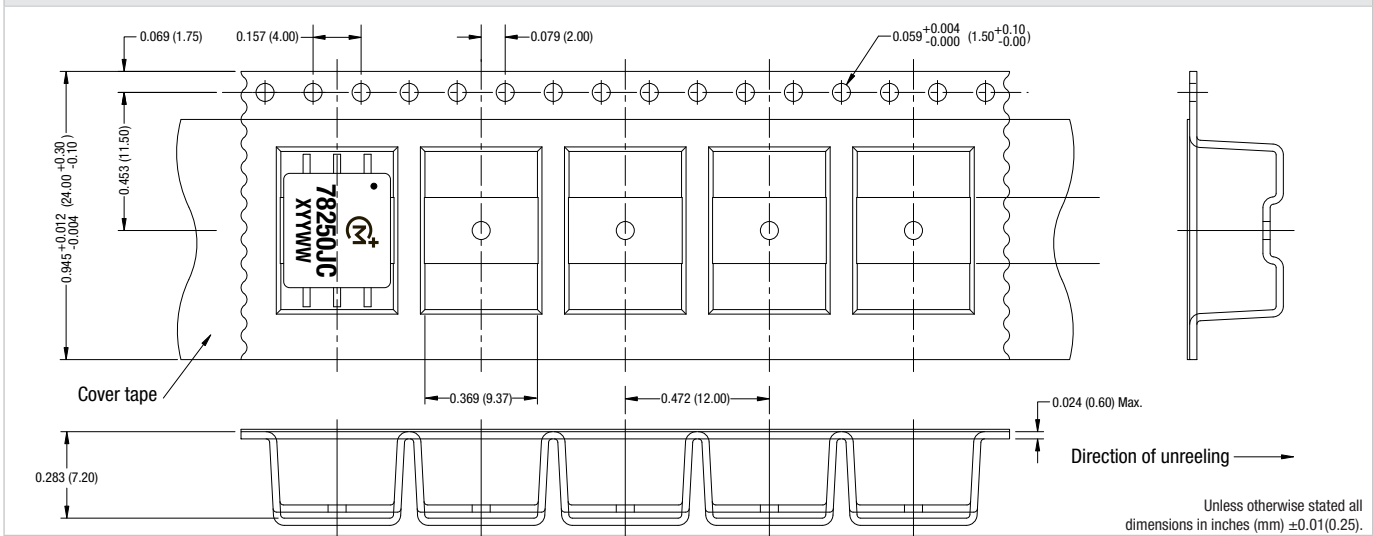
- For further information, please visit [www.murata-ps.com/rohs](http://www.murata-ps.com/rohs)
- Representative samples of the product were subjected to the conditioning described in IPC/JEDEC J-STD-020D and passed electrical testing, package coplanarity and visual inspection which revealed no external cracks or changes in package body flatness.

## TAPE & REEL SPECIFICATIONS

### REEL OUTLINE DIMENSIONS



### TAPE OUTLINE DIMENSIONS



Murata Power Solutions, Inc.  
 11 Cabot Boulevard, Mansfield, MA 02048-1151 U.S.A.  
 ISO 9001 and 14001 REGISTERED

Murata Power Solutions, Inc. makes no representation that the use of its products in the circuits described herein, or the use of other technical information contained herein, will not infringe upon existing or future patent rights. The descriptions contained herein do not imply the granting of licenses to make, use, or sell equipment constructed in accordance therewith. Specifications are subject to change without notice.  
 © 2010 Murata Power Solutions, Inc.