

Please note that the data given here has been taken from the online catalog. For comprehensive information and data, please refer to the user documentation at <http://www.download.phoenixcontact.com>. The General Terms and Conditions of Use apply to Internet downloads.

► Extract from the online catalog



FO converter with integrated optical diagnosis, for für DeviceNet™, CAN, CANopen to 800 kbps, basic module, interfaces: 1 x CAN, 1 x Alarm, 1 x FO (BFOC), 850 nm, for HCS/glass fiber cable

Order No.	2708083
Ord designation	PSI-MOS-DNET CAN/FO 850/BM
EAN	4017918943202
Pack	1 Pcs.
Customs tariff	85176200
Weight/Piece	0.177 KG
Catalog page information	Page 445 (IF-2007)

► Product notes

WEEE/RoHS-compliant since: 12/04/2006



IMPORTANT : This date is valid for Customers in Germany only. Date Format is MM/DD/YYYY. Please contact your local in-country Phoenix Contact location or designated business partner for a Logistics Compliant date in your area. In order to guarantee delivery of RoHS-Compliant product, please purchase Phoenix Contact parts from authorized Phoenix Contact representatives and distributors.



▶ **Technical data**

Serial interface

Interface 1	CAN interface, in accordance with ISO/IS 11898 for DeviceNet, CAN, CANopen
Data rate	max. 800 kBit/s
Termination resistor	120 Ω , integrated connection in the basic module
Transmission length	Max. 5000 m (Dependent on the data rate and the protocol used)
Type of connection	Pluggable COMBICON screw terminal block
Serial transmission rate	Maximum 800 kbps

Optical interface FO

Transmit capacity, minimum	-17.9 dBm (50/125 μm)
Transmit capacity, minimum	-14.1 dBm (62,5/125 μm)
Transmit capacity, minimum	-5.1 dBm (200/230 μm)
Minimum receiver sensitivity	-32.50 dBm (50/125 μm)
Minimum receiver sensitivity	-32.50 dBm (62,5/125 μm)
Minimum receiver sensitivity	-32.10 dBm (200/230 μm)
Wave length	850 nm
Transmission length incl. 3 dB system reserve	Min. 2800 m (With F-S 200/230 8 dB/km with quick mounting plug)
Transmission length incl. 3 dB system reserve	Min. 4200 m (with F-G 50/125 2.5 dB/km)
Transmission length incl. 3 dB system reserve	Min. 4800 m (with F-G 62,5/125 3.0 dB/km)
Type of connection	B-FOC

Fault warning output

Maximum switching voltage	60 V DC
Maximum switching voltage	42 V AC
Limiting continuous current	1 A

Power supply

Nominal supply voltage	24 V DC \pm 25%
Range of supply voltages	10 V DC ... 48 V DC
Typical current consumption	100 mA
Type of connection	Pluggable COMBICON screw terminal block through basic module

General data

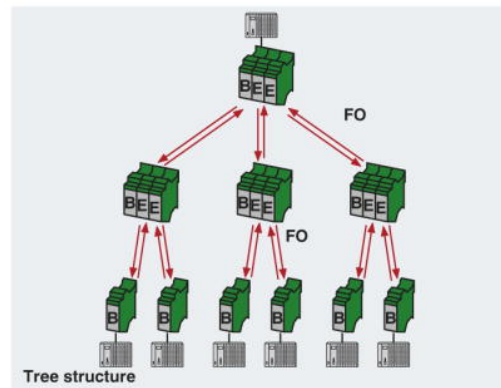
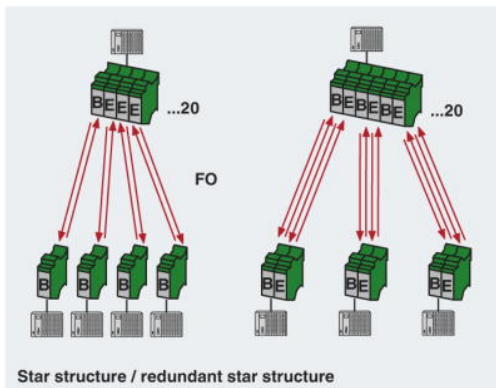
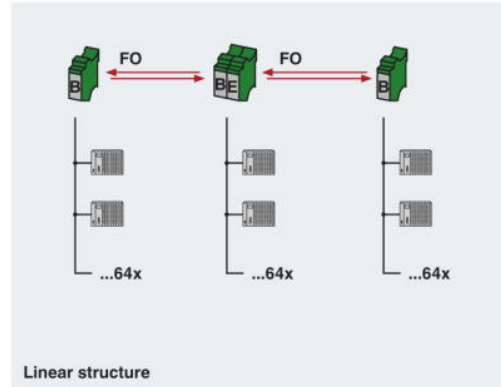
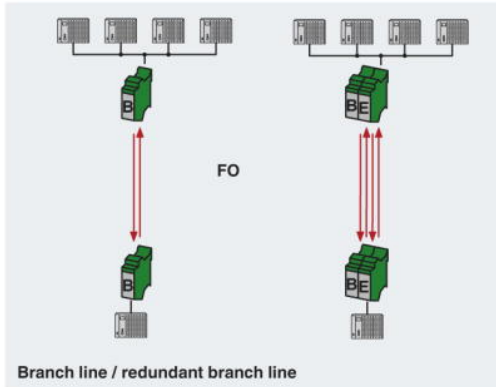
Bit distortion, input	\pm 35 % (permitted)
Bit distortion output	< 6.25 %
Length	99 mm
Height	114.5 mm
Width	22.5 mm
Ambient temperature (storage/transport)	-40 $^{\circ}\text{C}$... 85 $^{\circ}\text{C}$
Ambient temperature (operation)	-20 $^{\circ}\text{C}$... 60 $^{\circ}\text{C}$
Electrical isolation	CAN//Supply
Electromagnetic compatibility	Conformance with EMC directive 89/336/EEC
Emitted interference	EN 55011
Immunity to interference	EN 61000-6-2
Degree of protection	IP20
Housing material	PA 6.6-FR
Color	green

MTBF	404000 h in accordance with the Telcordia standard (ambient temperature 25°C)
MTBF	194000 h in accordance with the Telcordia standard (ambient temperature 40°C)

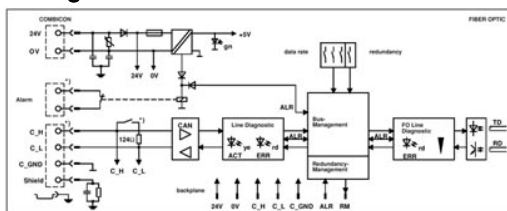


▸ Drawings

Application drawing

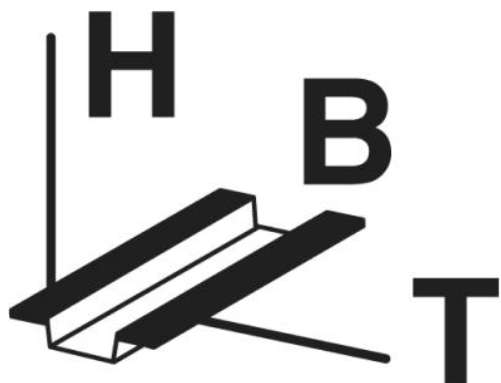


Block diagram



*) Only in the basic module

Logo





► Accessories

Item	Designation	Description
Cable/conductor		
2799885	PSM-LWL-HCS-RUGGED-200/230	HCS cable, duplex 200/230 µm, by the meter, without connector, for indoor installation
2799445	PSM-LWL-HCSO-200/230	HCS cable, duplex 200/230 µm, by the meter, without connector, for outdoor installation
2744937	PSM-LWL/HCS-RUGGED	HCS cable, duplex 200/230 µm, by the meter, with connector, for indoor installation
2744940	PSM-LWL/HCSO	HCS cable, duplex 200/230 µm, by the meter, with connector, for outdoor installation
General		
2708465	PSM-HCS-KONFTOOL/B-FOC	HCS DIY case for B-FOC(ST) quick mounting connector, including four B-FOC(ST) quick mounting connectors, stripping knife, stripping pliers, aramide yarn scissors, fiber stripper, fiber cleaving tool and microscope
2799322	PSM-LWL-GDM-RUGGED-50/125	Glass fiber cable, duplex 50/125 µm, by the meter, without connector, for indoor installation
2799432	PSM-LWL-GDO-50/125	Glass fiber cable, duplex 50/125 µm, by the meter, without connector, for outdoor installation
2744911	PSM-LWL/GDM-RUGGED	Glass fiber cable, duplex 50/125 µm, by the meter, with connector, for indoor installation
2744924	PSM-LWL/GDO	Glass fiber cable, duplex 50/125 µm, by the meter, with connector, for outdoor installation
Plug/Adapter		
2799429	PSM-SET-BFOC-LINK/2	Coupling; set consisting of 2 couplings for connecting B-FOC plugs
2799487	PSM-SET-FSMA/4-HCS	F-SMA plug set for HCS fiber, for self assembly consisting of 4 quick mounting connectors with bend protection sleeve
2744694	SUBCON-PLUS-CAN	D-SUB connector, 9-pin, with two cable entries
2306566	SUBCON-PLUS-CAN/AX	
2708119	SUBCON-PLUS-CAN/PG	Angled CANopen connector with additional PG connection
Tools		
2799539	PSM-FO-POWERMETER	Fiber optic measuring case, consisting of an optical power meter, F-SMA, B-FOC adapters, reference fibers and operating instructions
1205037	SZS 0,4X2,5	Screwdriver, bladed, matches all screw terminal blocks up to 1.5 mm ² connection cross section, blade: 0.4 x 2.5 mm

► Address

PHOENIX CONTACT GmbH & Co. KG
Flachsmarktstr. 8
32825 Blomberg
Germany
Phone +49 5235 3 00
Fax +49 5235 3 41200
<http://www.phoenixcontact.de>
Phoenix Contact
Technical modifications reserved;