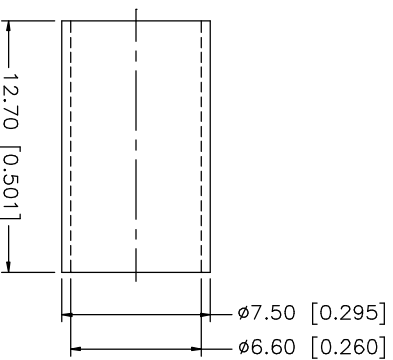
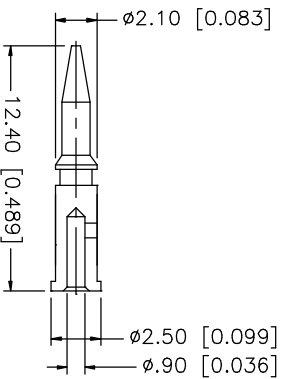
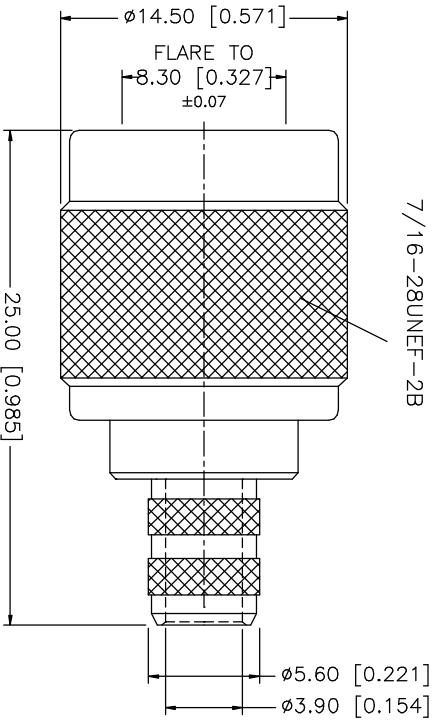
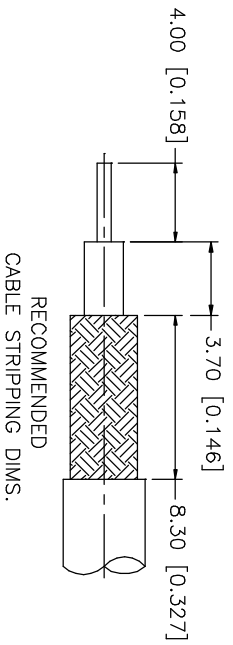


REV.	DATE	DESCRIPTION
A	06/05/03	UPDATE DRAWING FORMAT



- NOTE:
1. CRIMPED FERRULE  
HEX CRIMP SIZE .255"
  2. CRIMPED CONTACT PIN  
HEX CRIMP SIZE .068"

NO.	DESCRIPTION	MATERIAL	FINISH	QTY	DO NOT SCALE DRAWING	APPROVALS	DATE	PART DESCRIPTION
8					UNLESS OTHERWISE SPECIFIED DIMENSIONS ARE IN MILLIMETERS, DIMENSIONS IN [ ] ARE IN INCHES AND FOR CUSTOMER REFERENCE ONLY.	DRAWN	06/05/03	<b>Amphenol Connex</b> TNC CRIMP PLUG (FOR RG 59/U 20AWG CABLE- 75ohm)
7				UNLESS OTHERWISE SPECIFIED TOLERANCES FOR MILLIMETERS ARE:	CHECKED			
6				0.5 - 8mm ± 0.20mm	ISSUED			
5				8 - 30mm ± 0.40mm	SHEET	1 OF 1		
4	FERRULE	COPPER	NICKEL	1	30 - 120mm ± 0.50mm			
3	CONTACT PIN	BRASS	GOLD	1	UNLESS OTHERWISE SPECIFIED TOLERANCES FOR INCHES ARE:		PART NO.	
2	INSULATOR	DELFIN	NATURAL	1	.020 - .315 = ± 0.007"			
1	BODY	BRASS	NICKEL	1	.315 - 1.180 = ± 0.015"			
	DESCRIPTION	MATERIAL	FINISH	QTY	1.180 - 4.724 = ± 0.020"			DWG. NO.
								122426.DWG
								REV. A
								SIZE A
								SCALE NA

NO.	DESCRIPTION	MATERIAL	FINISH	QTY	DO NOT SCALE DRAWING
8					UNLESS OTHERWISE SPECIFIED DIMENSIONS ARE IN MILLIMETERS, DIMENSIONS IN [ ] ARE IN INCHES AND FOR CUSTOMER REFERENCE ONLY.
7					UNLESS OTHERWISE SPECIFIED TOLERANCES FOR MILLIMETERS ARE:
6					0.5 - 8mm ± 0.20mm
5					8 - 30mm ± 0.40mm
4	FERRULE	COPPER	NICKEL	1	30 - 120mm ± 0.50mm
3	CONTACT PIN	BRASS	GOLD	1	UNLESS OTHERWISE SPECIFIED TOLERANCES FOR INCHES ARE:
2	INSULATOR	DELFIN	NATURAL	1	.020 - .315 = ± 0.007"
1	BODY	BRASS	NICKEL	1	.315 - 1.180 = ± 0.015"
	DESCRIPTION	MATERIAL	FINISH	QTY	1.180 - 4.724 = ± 0.020"

NO.	DESCRIPTION	MATERIAL	FINISH	QTY	DO NOT SCALE DRAWING
8					UNLESS OTHERWISE SPECIFIED DIMENSIONS ARE IN MILLIMETERS, DIMENSIONS IN [ ] ARE IN INCHES AND FOR CUSTOMER REFERENCE ONLY.
7					UNLESS OTHERWISE SPECIFIED TOLERANCES FOR MILLIMETERS ARE:
6					0.5 - 8mm ± 0.20mm
5					8 - 30mm ± 0.40mm
4	FERRULE	COPPER	NICKEL	1	30 - 120mm ± 0.50mm
3	CONTACT PIN	BRASS	GOLD	1	UNLESS OTHERWISE SPECIFIED TOLERANCES FOR INCHES ARE:
2	INSULATOR	DELFIN	NATURAL	1	.020 - .315 = ± 0.007"
1	BODY	BRASS	NICKEL	1	.315 - 1.180 = ± 0.015"
	DESCRIPTION	MATERIAL	FINISH	QTY	1.180 - 4.724 = ± 0.020"