

Product Catalog > [Diodes](#) > [Small Signal Schottky Diodes](#) >

Part Number	SD103AW
product family	SMALL SIGNAL SCHOTTKY DIODES
package type	SOD-123
VRM(PRV)	40V
Ifsm	1.5A
IF(AV)	350mA
@Vf	0.37V
@If	20mA
Trr	10nS
IR	5.0μA
@VR	40V
Package Qty	Tape : 3K/Reel , 120K/Ctn;

This product is listed under the following categories where you may find similar products:
[Diodes](#)
[Small Signal Schottky Diodes](#)



Micro Commercial Components

SD103AW THRU SD103CW

400mW Small Signal Schottky Diode 20 to 40 Volts

Features

- Lead Free Finish/RoHS Compliant("P" Suffix designates RoHS Compliant. See ordering information)
- Guard Ring Protection
- Low Forward Voltage Drop
- Low Power Loss For High Efficiency
- Device Marking Code: SD103AW: S4
SD103BW: S5
SD103CW: S6

Maximum Ratings

- Case Material: Molded Plastic. UL Flammability Classification Rating 94V-0 and MSL Rating 1
- Operating Temperature: -55°C to +125°C
- Storage Temperature: -55°C to +150°C
- Maximum Thermal Resistance; 300°C/W Junction to Ambient

MCC Part Number	Maximum Recurrent Peak Reverse Voltage	Maximum RMS Voltage	Maximum DC Blocking Voltage
SD103AW	40V	28V	40V
SD103BW	30V	21V	30V
SD103CW	20V	14V	20V

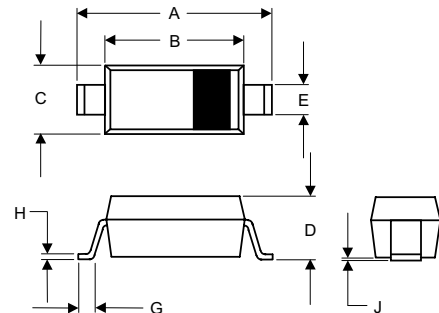
Electrical Characteristics @ 25°C Unless Otherwise Specified

Average Forward Current	$I_{F(AV)}$	350mA	Note 1
Peak Forward Surge Current	I_{FSM}	1.5A	$t \leq 1.0s$
Maximum Power Dissipation	P_D	400mW	Note 1
Maximum (Note2) Instantaneous Forward Voltage	V_F	0.37V 0.60V	$I_{FM} = 20mA$ $I_{FM} = 200mA$
Maximum DC Reverse Current At Rated DC Blocking Voltage	I_R	5.0µA	$V_R = 30V$ (AW) $V_R = 20V$ (BW) $V_R = 10V$ (CW)
Typical Junction Capacitance	C_j	50pF	Measured at 1.0MHz, $V_R=0V$
Typical Reverse Recovery Time	t_{rr}	10ns	$I_F = I_R = 200mA$ $I_{rr} = 0.1 \times I_R$ $R_L = 100\Omega$

Note: 1.Valid provided that electrodes are kept at ambient Temperature

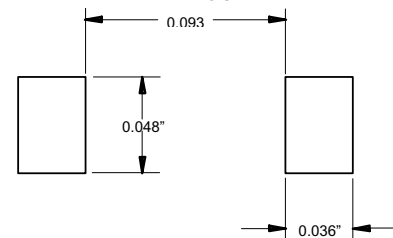
2.Pulse test: Pulse width 300 µsec, Duty cycle 2%

SOD-123



DIM	DIMENSIONS				NOTE
	INCHES		MM		
A	.140	.152	3.55	3.85	
B	.100	.112	2.55	2.85	
C	.055	.071	1.40	1.80	
D	---	.053	---	1.35	
E	.012	.031	0.30	0.78	
G	.006	---	0.15	---	
H	---	.010	---	0.25	
J	---	.006	---	0.15	

SUGGESTED SOLDER PAD LAYOUT





Micro Commercial Components

Ordering Information

Device	Packing
(Part Number)-TP	Tape&Reel;3Kpcs/Reel

IMPORTANT NOTICE

Micro Commercial Components Corp. reserves the right to make changes without further notice to any product herein to make corrections, modifications, enhancements, improvements, or other changes. *Micro Commercial Components Corp.* does not assume any liability arising out of the application or use of any product described herein; neither does it convey any license under its patent rights, nor the rights of others. The user of products in such applications shall assume all risks of such use and will agree to hold *Micro Commercial Components Corp.* and all the companies whose products are represented on our website, harmless against all damages.

APPLICATIONS DISCLAIMER

Products offer by *Micro Commercial Components Corp.* are not intended for use in Medical, Aerospace or Military Applications.