

Inductive Sensors



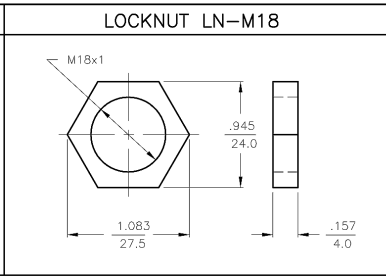
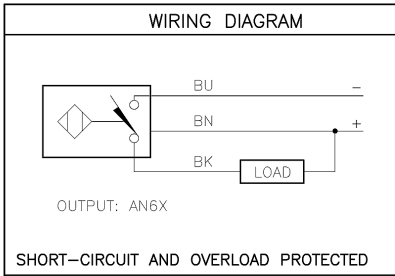
Housing Style	Part Number	ID Number	Features	Sensing Range (mm)	Output
18 mm - Embeddable, Potted-in Cable 	Bi 8U-EM18WD-AN6X	M1634840	<i>Uprox+</i> , Washdown	8	3-Wire DC NPN
	Bi 8U-M18-AN6X	M1644736	<i>Uprox+</i>	8	
	Bi 8U-MT18-AN6X	M1634907	<i>Uprox+</i>	8	
	Bi 8U-EM18WD-AP6X	M1634815	<i>Uprox+</i> , Washdown	8	3-Wire DC PNP
	Bi 8U-M18-AP6X	M1644733	<i>Uprox+</i>	8	
	Bi 8U-MT18-AP6X	M1644754	<i>Uprox+</i>	8	
18 mm - Nonembeddable, Potted-in Cable 	Ni15U-EM18WD-AN6X	M1634836	<i>Uprox+</i> , Washdown	15	3-Wire DC NPN
	Ni15U-M18-AN6X	M1635334	<i>Uprox+</i>	15	
	Ni15U-EM18WD-AP6X	M1634817	<i>Uprox+</i> , Washdown	15	3-Wire DC PNP
	Ni15U-M18-AP6X	M1635330	<i>Uprox+</i>	15	



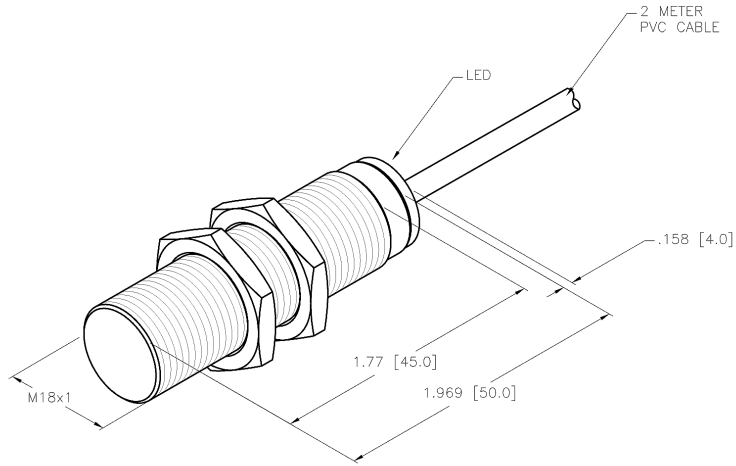
Voltage	Switching Freq. (Hz)	Operating Current (mA)	Operating Temp. (°C)	Protection	Housing	Face	Power LED	Output LED	Mating Cordset	Wiring Diagram #	Wiring Diagrams
10-30 VDC	1500	≤200	0 to +85	IP 68, 69K	SS	LCP	N/A	YE	2M/PUR	3	<div style="border: 1px solid black; padding: 5px;"> <p style="text-align: center; background-color: #e0f2f1;">Diagram 3</p> </div> <div style="border: 1px solid black; padding: 5px; margin-top: 10px;"> <p style="text-align: center; background-color: #e0f2f1;">Diagram 4</p> </div>
	1500	≤200	-25 to +75	IP 68	CPB	LCP	N/A	YE	2M/PVC	3	
	1500	≤200					LCP	N/A	YE	3	
10-30 VDC	1500	≤200	0 to +85	IP 68, 69K	SS	LCP	N/A	YE	2M/PUR	4	
	1500	≤200	-25 to +75	IP 68	CPB	LCP	N/A	YE	2M/PVC	4	
	1500	≤200				LCP	N/A	YE	4		
10-30 VDC	1000	≤200	0 to +85	IP 68, 69K	SS	LCP	N/A	YE	2M/PUR	3	
	1000	≤200	-25 to +75	IP 68	CPB	LCP	N/A	YE	2M/PVC	3	
10-30 VDC	1000	≤200	0 to +85	IP 68, 69K	SS	LCP	N/A	YE	2M/PUR	4	
	1000	≤200	-25 to +75	IP 68	CPB	LCP	N/A	YE	2M/PVC	4	

Uprox+

* Length in meters.



SPECIFICATIONS	
RATED OPERATING DISTANCE	8mm = .315"
MOUNTING MODE	FLUSH
MIN. REPEAT ACCURACY	≤ 2%
TEMPERATURE DRIFT	≤ ±10%
HYSTERESIS (SWITCHING DISTANCE)	3-15%
OPERATING TEMPERATURE	-30°C to +85°C (-22°F to +185°F)
RATED OPERATIONAL VOLTAGE	10-30 VDC
MAX. RIPPLE	≤ 10%
DC RATED OPERATIONAL CURRENT	≤ 200 mA
NO-LOAD CURRENT	≤ 15 mA
MAX. OFF-STATE CURRENT	≤ 0.1 mA
RATED INSULATION VOLTAGE	≤ 0.5 kV
SHORT-CIRCUIT PROTECTION	INCORPORATED
MAX. VOLTAGE DROP	≤ 1.8 V
WIRE BREAKAGE PROTECTION	INCORPORATED
REVERSE POLARITY PROTECTION	INCORPORATED
OUTPUT FUNCTION	3-WIRE, NORMALLY OPEN, NPN
MAX. SWITCHING FREQUENCY	≤ 1.5 kHz
HOUSING MATERIAL	METAL, BRASS/CHROME PLATED
ACTIVE FACE	PLASTIC, LCP-GF30
END CAP	PLASTIC, EPTR
CABLE	ø5.2, LiYY, PVC, 2 METERS
VIBRATION RESISTANCE	55 Hz, 1 mm AMPLITUDE (IN ALL 3 PLANES)
SHOCK RESISTANCE	30 g, 11 ms
DEGREE OF PROTECTION	IP68
SWITCHING STATUS INDICATION	LED, YELLOW



SOURCE DRAWING - FOR REFERENCE ONLY

RELATED DOCUMENTS		3RD ANGLE PROJECTION		THIS DRAWING IS PROPERTY OF TURCK INC. USE OF THIS DOCUMENT WITHOUT WRITTEN PERMISSION IS PROHIBITED.		 High Technology Sensors and Automation Controls	
1. 2. 3. 4.				DRFT	RDS	DATE 05/09/06	DESCRIPTION
MATERIAL		TOLERANCES UNLESS OTHERWISE SPECIFIED		DSGN	TB	SCALE 1=1.0	BI 8U-M18-AN6X
FINISH		.X ±0.02 .XX ±0.01 .XXX ±0.005 ANGLES ±1°		UNIT OF MEASUREMENT			IDENTIFICATION NO.
A DRAWING RELEASE		RDS 05/09/06		INCH [MILLIMETER]			M1644736
REV DESCRIPTION		BY DATE ECO NO.		DO NOT SCALE THIS DRAWING			REV A
				FILE: M1644736			SHEET 1 OF 1