

Cooper Bussmann

- [Homepage](#)
- [About Cooper Bussmann](#)
- [Contact Us](#)
- [Privacy](#)
- [Legal](#)
- [Cooper Bussmann® Brand](#)
- [Site Map](#)



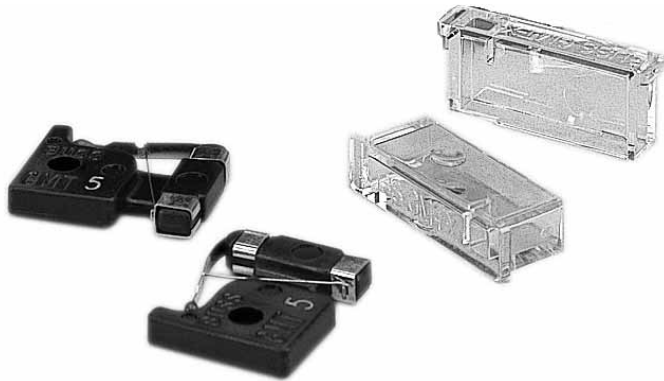
GMT-Dummy

Product Information

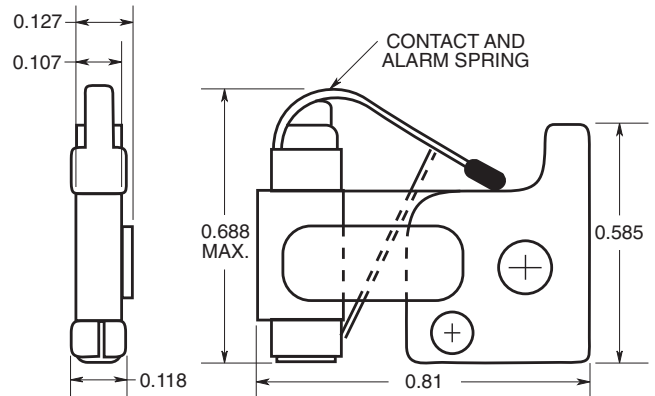
| | |
|-----------------|--------------------|
| Product Family: | Telecommunications |
|-----------------|--------------------|

Fast-Acting Indicating Telecom Fuse

60Vdc/125Vac



Dimensional Data — in



Catalog Symbol: GMT

Fast-acting indicating fuse for telecom circuits.

Ratings:

Volts: 60Vdc/125Vac

Amps: 18/100 – 15A

IR: 450A @ 60Vdc

300A @ 125Vac

Agency Information:

UL Recognized, Guide JFHR2, File E56412

Materials:

Body: Thermoplastic (flammability rating: UL94V0)

Terminals: Tin-plated beryllium copper

Carton Quantity & Weight:

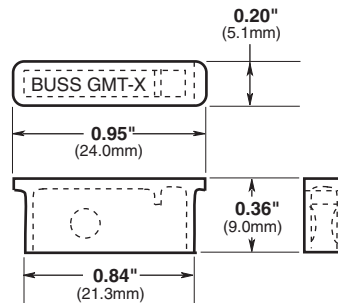
100 fuses per carton, 0.33 lbs. (150g.)

Fuse Holders: Catalog Nos. HLS, HLT and PCT

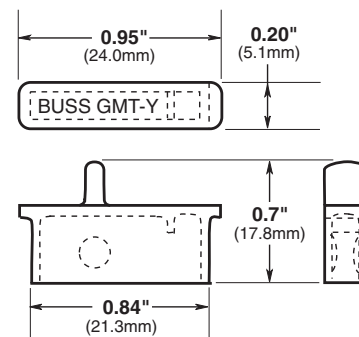
General Information:

- For telecom, computer, or control circuits.
- Visual spring indicating and alarm circuit indicating.
- Color coded flags designate amp rating.
- Fuses easily replaced without use of insulated tools.
- Fuses can be removed with wire hook when mounted on minimum centers.
- **GMT-X** fuse cover available.
- **GMT-Y** fuse cover (with pull-tab) available.

Covers — in (mm)



GMT-X Fuse Cover



GMT-Y Fuse Cover

Catalog Symbol and Color Codes

| Catalog Symbol | Color Code | Catalog Symbol | Color Code |
|----------------|--------------|----------------|--------------|
| GMT-18/100A | Yellow | GMT-3 1/2A | White/Blue |
| GMT-1/4A | Violet | GMT-4A | White/Brown |
| GMT-3/8A | White/Gray | GMT-5A | Green |
| GMT-1/2A | Red | GMT-7 1/2A | Black/White |
| GMT-65/100A | Black | GMT-10A | Red/White |
| GMT-3/4A | Brown | GMT-12A | Yellow/Green |
| GMT-1A | Gray | GMT-15A | Red/Blue |
| GMT-1 1/3A | White | GMT-Dummy | Gray |
| GMT-1 1/2A | White/Yellow | GMT-A (alarm)* | Yellow |
| GMT-2A | Orange | GMT-X (cover) | Clear |
| GMT-3A | Blue | | |

*Designed specifically for use in the Telpower® Series 15800 fused disconnect switch.