



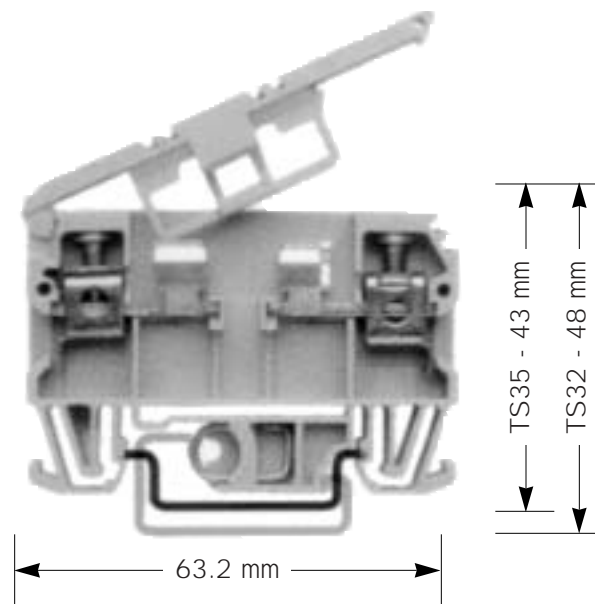
# American Electrical, Inc.

Industrial Electrical Accessories

425 Southlake Blvd. • Suite 9-B • Richmond, VA 23236 • (804) 379-2899 • Fax: (804) 379-8935

## DIN Rail Mounted Terminal Blocks

ASK 2 S



Description	AEI Part No.	Vol ts V	Amps A	Wire Size AWG	Thickness mm
Fuse Block	351100	600	6.3	26 ... 8	8.0
Cover	450040				1.5
End Bracket	495030				8

