

Sensors

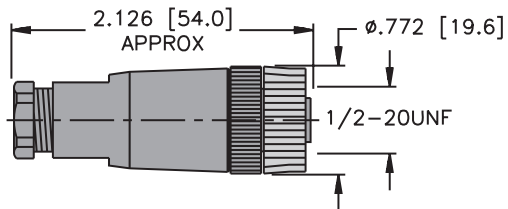
Mating Cordsets



3-Pin *microfast*® Field Wireables

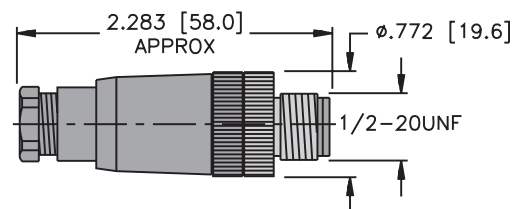
Application	Specifications	Straight/Female	Right Angle/ Female	Straight/Male	Right Angle/ Male
Mates with 3-pin cordsets and receptacles	PG 7 cable gland, accepts 4-6 mm cable Screw terminals	MF 3131-0	MF 3231-0	MFS 3131-0	MFS 3231-0

MF 31 ..



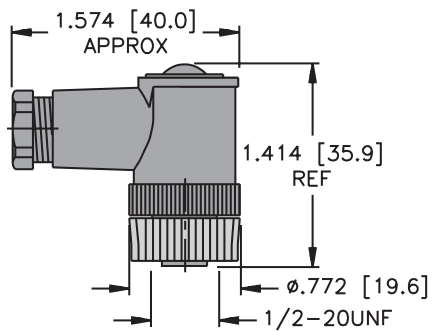
Female Connector

MFS 31 ..



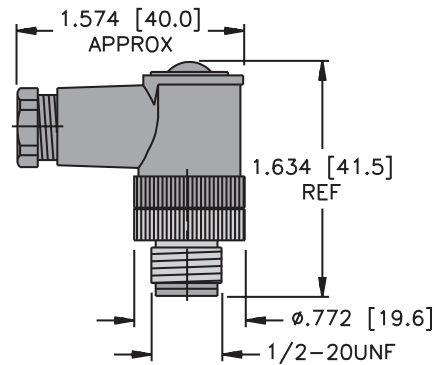
Male Connector

MF 32 ..



Female Connector

MFS 32 ..

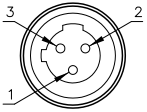


Male Connector

Pinouts

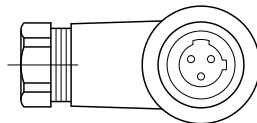
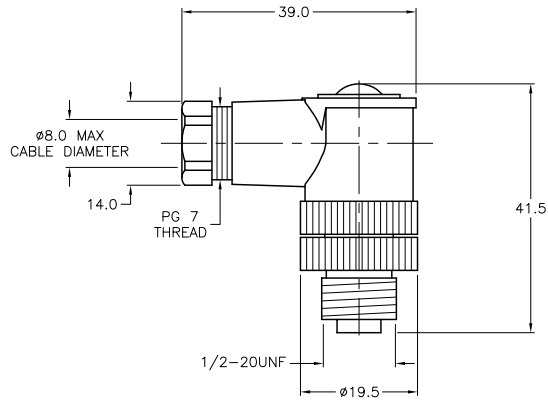
Female	Male
3-Pin	3-Pin

MALE END VIEW



SPECIFICATIONS

HOUSING MATERIAL/PLATING	PBT/BLACK
CONTACT MATERIAL/PLATING	GOLD-PLATED BRASS
COUPLING NUT MATERIAL/PLATING	NICKEL-PLATED BRASS
RATED CURRENT [A]	4.0 A
RATED VOLTAGE [V]	250 V
MAXIMUM WIRE SIZE	18 AWG
CABLE GRIP RANGE	4-6mm
TEMPERATURE RATING	-40°C to +85°C (-40°F to +185°F)
PROTECTION CLASS	MEETS NEMA 1,3,4,6P AND IEC IP67



RELATED DOCUMENTS 1. 2. 3. 4.	3RD ANGLE PROJECTION 	THIS DRAWING IS PROPERTY OF TURCK INC. USE OF THIS DOCUMENT WITHOUT WRITTEN PERMISSION IS PROHIBITED.	TURCK INC High Technology Sensors and Automation Controls 3000 CAMPUS DRIVE MINNEAPOLIS, MN 55441 1-800-544-7769 (763) 553-7300 (763) 553-0708 fax turck.com	
	MATERIAL SEE SPECIFICATIONS	TOLERANCES UNLESS OTHERWISE SPECIFIED 0.5 TO 6 ±0.1 6 TO 30 ±0.2 30 TO 200 ±0.3 OVER 200 ±0.4 ANGLES ±1°	DRFT RJP DSGN	DATE 02/21/96 SCALE 1=1.0
FINISH SEE SPECIFICATIONS		UNIT OF MEASUREMENT MILLIMETERS		IDENTIFICATION NO. U0491
A DRAWING RELEASE REV DESCRIPTION	JBJ 01/10/01 BY DATE ECO NO.	DO NOT SCALE THIS DRAWING		FILE: U0491 SHEET 1 OF 1