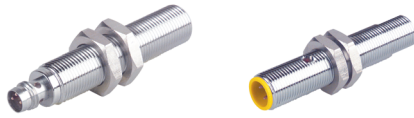


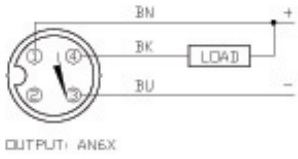
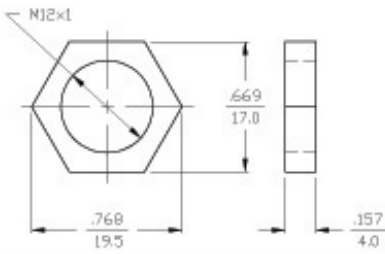
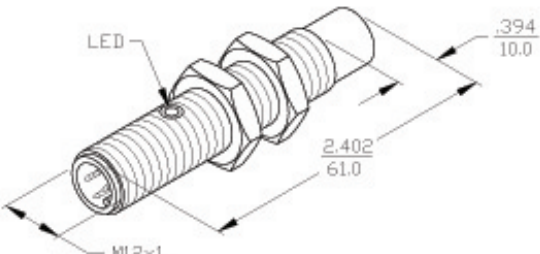
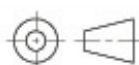
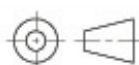
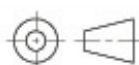
Inductive Sensors



Housing Style	Part Number	ID Number	Features	Sensing Range (mm)	Output
12 mm - Embeddable, picofast® Connection 	Bi 2-G12-AN6X-V1131	T4635583		2	3-Wire DC NPN
	Bi 4-G12-AN6X-V1131	M1690707	Extended Range	4	
	Bi 2-G12-AP6X-V1131	T4606597		2	3-Wire DC PNP
	Bi 4-G12-AP6X-V1131	M1690703	Extended Range	4	
12 mm - Nonembeddable, picofast Connection 	Ni 5-G12-AN6X-V1131	T4635721		5	3-Wire DC NPN
	Ni 5-G12-AP6X-V1131	T4635690		5	3-Wire DC PNP
12 mm - Embeddable, eurofast® Connection 	Bi 2-G12-AN6X-H1141	T4606693		2	3-Wire DC NPN
	Bi 2-G12-AP6X-H1141	T4606595		2	3-Wire DC PNP
	Bi 4-EG12-AP6X-H1141	T4607091	Extended Range	4	
12 mm - Nonembeddable, eurofast Connection 	Ni 5-G12-AN6X-H1141	T4635793		5	3-Wire DC NPN
	Ni 5-G12-AN7X-H1141	T1714593		5	
	Ni 8-G12-AN6X-H1141	T4611383	Extended Range	8	
	Ni 5-G12-AP6X-H1141	T4635692		5	3-Wire DC PNP
	Ni 5-G12-Y0-H1141	T1005594		5	2-Wire DC NAMUR
12 mm - Embeddable, eurofast Connection 	Bi 2-G12K-AP6X-H1141	M4670260		2	3-Wire DC PNP

Voltage	Switching Freq. (Hz)	Operating Current (mA)	Operating Temp. (°C)	Protection	Housing	Face	Power LED	Output LED	Mating Cordset	Wiring Diagram #	Wiring Diagrams
10-30 VDC	2000	≤200	-25 to +70	IP 67	CPB	PA 12	N/A	YE	PKG 3Z-*	1	Diagram 1
	2000	≤200	-25 to +70	IP 67	CPB	PA 12	N/A	YE	PKG 3Z-*	1	
10-30 VDC	2000	≤200	-25 to +70	IP 67	CPB	PA 12	N/A	YE	PKG 3Z-*	2	Diagram 2
	2000	≤200	-25 to +70	IP 67	CPB	PA 12	N/A	YE	PKG 3Z-*	2	
10-30 VDC	2000	≤200	-25 to +70	IP 67	CPB	PA 12	N/A	YE	PKG 3Z-*	1	Diagram 3
10-30 VDC	2000	≤200	-25 to +70	IP 67	CPB	PA 12	N/A	YE	PKG 3Z-*	2	Diagram 4
10-30 VDC	2000	≤200	-25 to +70	IP 67	CPB	PA 12	N/A	YE	RK 4T-*	3	Diagram 5
10-30 VDC	2000	≤200	-25 to +70	IP 67	CPB	PA 12	N/A	YE	RK 4T-*	4	Diagram 5
	2000	≤200	-25 to +70	IP 67	SS	PA 12	N/A	YE	RKV 4T-*	4	
10-30 VDC	2000	≤200	-25 to +70	IP 67	CPB	PA 12	N/A	YE	RK 4T-*	3	Diagram 5
	2000	≤200	-25 to +70	IP 67	CPB	PA 12	N/A	YE	RK 4T-*	3	
	2000	≤200	-25 to +70	IP 67	CPB	PA 12	N/A	YE	RK 4T-*	3	
10-30 VDC	2000	≤200	-25 to +70	IP 67	CPB	PA 12	N/A	YE	RK 4T-*	4	Diagram 5
5-30 VDC	2000	Remote	-25 to +70	IP 67	CPB	PA 12	N/A	N/A	RK 4.21T-*	5	Diagram 5
10-30 VDC	2000	≤200	-25 to +70	IP 67	CPB	PA 12	N/A	N/A	RK 4T-*	4	Diagram 5

* Length in meters.

WIRING DIAGRAMS	LOCKNUT LN-M12	SPECIFICATIONS																																																					
 <p>SHORT-CIRCUIT AND OVERLOAD PROTECTED</p>		<table border="1"> <tr><td>OPERATING VOLTAGE</td><td>10-30 VDC</td></tr> <tr><td>RIPPLE</td><td>≤10%</td></tr> <tr><td>DIFFERENTIAL TRAVEL (HYSTERESIS)</td><td>3-15% (5% TYPICAL)</td></tr> <tr><td>VOLTAGE DROP ACROSS CONDUCTING SENSOR</td><td>≤1.8 V at 200 mA</td></tr> <tr><td>OUTPUT FUNCTION</td><td>NORMALLY OPEN 3-WIRE DC SELF-CONTAINED</td></tr> <tr><td>TTL COMPATIBLE</td><td>NO</td></tr> <tr><td>SHORT-CIRCUIT PROTECTED</td><td>YES</td></tr> <tr><td>TRIGGER CURRENT FOR OVERLOAD PROTECTION</td><td>≤220 mA</td></tr> <tr><td>CONTINUOUS LOAD CURRENT</td><td>≤200 mA</td></tr> <tr><td>OFF-STATE (LEAKAGE) CURRENT</td><td><10 μA</td></tr> <tr><td>NO-LOAD CURRENT</td><td>5.5-9.5 mA</td></tr> <tr><td>TIME DELAY BEFORE AVAILABILITY</td><td>≤8 ns</td></tr> <tr><td>POWER-ON EFFECT PROTECTION</td><td>INCORPORATED</td></tr> <tr><td>REVERSE POLARITY PROTECTION</td><td>INCORPORATED</td></tr> <tr><td>WIRE-BREAK PROTECTION</td><td>INCORPORATED</td></tr> <tr><td>PROTECTION AGAINST TRANSIENTS</td><td>2 kV, 1 ns, 1 kΩ</td></tr> <tr><td>OPERATING TEMPERATURE</td><td>-25°C to +70°C (-13°F to +158°F)</td></tr> <tr><td>ENCLOSURE</td><td>MEETS NEMA L 3, 4, 6, 13 AND IEC IP67</td></tr> <tr><td>SHOCK</td><td>30 g, 11 ms</td></tr> <tr><td>VIBRATION</td><td>55 Hz, 1 mm AMPLITUDE ON ALL 3 PLANES†</td></tr> <tr><td>LED FUNCTION</td><td>RED; OUTPUT ENERGIZED</td></tr> <tr><td>SENSING RANGE</td><td>5 mm ± .197" (NOMINAL)</td></tr> <tr><td>SWITCHING FREQUENCY</td><td>1500 Hz</td></tr> <tr><td>REPEATABILITY</td><td>≤2% OF RATED OPERATING DISTANCE</td></tr> <tr><td>EMBEDDABLE (SHIELDED)</td><td>NO</td></tr> <tr><td>MATING PLUGS/CABLES</td><td>4-PIN "EUROFAST" CONSTRUCTION</td></tr> </table>		OPERATING VOLTAGE	10-30 VDC	RIPPLE	≤10%	DIFFERENTIAL TRAVEL (HYSTERESIS)	3-15% (5% TYPICAL)	VOLTAGE DROP ACROSS CONDUCTING SENSOR	≤1.8 V at 200 mA	OUTPUT FUNCTION	NORMALLY OPEN 3-WIRE DC SELF-CONTAINED	TTL COMPATIBLE	NO	SHORT-CIRCUIT PROTECTED	YES	TRIGGER CURRENT FOR OVERLOAD PROTECTION	≤220 mA	CONTINUOUS LOAD CURRENT	≤200 mA	OFF-STATE (LEAKAGE) CURRENT	<10 μA	NO-LOAD CURRENT	5.5-9.5 mA	TIME DELAY BEFORE AVAILABILITY	≤8 ns	POWER-ON EFFECT PROTECTION	INCORPORATED	REVERSE POLARITY PROTECTION	INCORPORATED	WIRE-BREAK PROTECTION	INCORPORATED	PROTECTION AGAINST TRANSIENTS	2 kV, 1 ns, 1 kΩ	OPERATING TEMPERATURE	-25°C to +70°C (-13°F to +158°F)	ENCLOSURE	MEETS NEMA L 3, 4, 6, 13 AND IEC IP67	SHOCK	30 g, 11 ms	VIBRATION	55 Hz, 1 mm AMPLITUDE ON ALL 3 PLANES†	LED FUNCTION	RED; OUTPUT ENERGIZED	SENSING RANGE	5 mm ± .197" (NOMINAL)	SWITCHING FREQUENCY	1500 Hz	REPEATABILITY	≤2% OF RATED OPERATING DISTANCE	EMBEDDABLE (SHIELDED)	NO	MATING PLUGS/CABLES	4-PIN "EUROFAST" CONSTRUCTION
OPERATING VOLTAGE	10-30 VDC																																																						
RIPPLE	≤10%																																																						
DIFFERENTIAL TRAVEL (HYSTERESIS)	3-15% (5% TYPICAL)																																																						
VOLTAGE DROP ACROSS CONDUCTING SENSOR	≤1.8 V at 200 mA																																																						
OUTPUT FUNCTION	NORMALLY OPEN 3-WIRE DC SELF-CONTAINED																																																						
TTL COMPATIBLE	NO																																																						
SHORT-CIRCUIT PROTECTED	YES																																																						
TRIGGER CURRENT FOR OVERLOAD PROTECTION	≤220 mA																																																						
CONTINUOUS LOAD CURRENT	≤200 mA																																																						
OFF-STATE (LEAKAGE) CURRENT	<10 μA																																																						
NO-LOAD CURRENT	5.5-9.5 mA																																																						
TIME DELAY BEFORE AVAILABILITY	≤8 ns																																																						
POWER-ON EFFECT PROTECTION	INCORPORATED																																																						
REVERSE POLARITY PROTECTION	INCORPORATED																																																						
WIRE-BREAK PROTECTION	INCORPORATED																																																						
PROTECTION AGAINST TRANSIENTS	2 kV, 1 ns, 1 kΩ																																																						
OPERATING TEMPERATURE	-25°C to +70°C (-13°F to +158°F)																																																						
ENCLOSURE	MEETS NEMA L 3, 4, 6, 13 AND IEC IP67																																																						
SHOCK	30 g, 11 ms																																																						
VIBRATION	55 Hz, 1 mm AMPLITUDE ON ALL 3 PLANES†																																																						
LED FUNCTION	RED; OUTPUT ENERGIZED																																																						
SENSING RANGE	5 mm ± .197" (NOMINAL)																																																						
SWITCHING FREQUENCY	1500 Hz																																																						
REPEATABILITY	≤2% OF RATED OPERATING DISTANCE																																																						
EMBEDDABLE (SHIELDED)	NO																																																						
MATING PLUGS/CABLES	4-PIN "EUROFAST" CONSTRUCTION																																																						
		<table border="1"> <tr> <td>MATERIAL</td> <td>BRASS BARREL</td> <td rowspan="2">3RD ANGLE PROJECTION</td> <td rowspan="2"></td> <td rowspan="2">TURBOK INC</td> </tr> <tr> <td>FINISH</td> <td>COPPER/NICKEL/CHROME PLATING</td> </tr> <tr> <td>DRWN</td> <td>GMB</td> <td>DATE</td> <td>7/24/89</td> <td>PART NO.</td> <td>N15-G12-AN6X-H1141</td> </tr> <tr> <td>CHKD</td> <td></td> <td>DATE</td> <td></td> <td>SIZE</td> <td>B</td> </tr> <tr> <td>TNI</td> <td></td> <td>DATE</td> <td></td> <td>3D NO.</td> <td>4635793</td> </tr> <tr> <td colspan="4">DIMENSIONS ARE IN INCHES</td> <td>SCALE</td> <td>NONE</td> </tr> <tr> <td colspan="4"></td> <td>BMQD-D\4635793</td> <td>SHEET</td> <td>OF</td> </tr> </table>		MATERIAL	BRASS BARREL	3RD ANGLE PROJECTION		TURBOK INC	FINISH	COPPER/NICKEL/CHROME PLATING	DRWN	GMB	DATE	7/24/89	PART NO.	N15-G12-AN6X-H1141	CHKD		DATE		SIZE	B	TNI		DATE		3D NO.	4635793	DIMENSIONS ARE IN INCHES				SCALE	NONE					BMQD-D\4635793	SHEET	OF														
MATERIAL	BRASS BARREL	3RD ANGLE PROJECTION		TURBOK INC																																																			
FINISH	COPPER/NICKEL/CHROME PLATING																																																						
DRWN	GMB	DATE	7/24/89	PART NO.	N15-G12-AN6X-H1141																																																		
CHKD		DATE		SIZE	B																																																		
TNI		DATE		3D NO.	4635793																																																		
DIMENSIONS ARE IN INCHES				SCALE	NONE																																																		
				BMQD-D\4635793	SHEET	OF																																																	
<table border="1"> <tr> <td>4</td> <td>SEE REVISION DOCUMENT AGL2-H2</td> <td>GMB</td> <td>10/4/90</td> <td></td> </tr> <tr> <td>REV</td> <td>DESCRIPTION</td> <td>DRFT</td> <td>DATE</td> <td>CHKD</td> </tr> <tr> <td colspan="5" style="text-align: center;">REVISIONS</td> </tr> </table>		4	SEE REVISION DOCUMENT AGL2-H2	GMB	10/4/90		REV	DESCRIPTION	DRFT	DATE	CHKD	REVISIONS																																											
4	SEE REVISION DOCUMENT AGL2-H2	GMB	10/4/90																																																				
REV	DESCRIPTION	DRFT	DATE	CHKD																																																			
REVISIONS																																																							