

Wide bandwidth dual JFET operational amplifiers

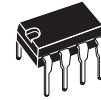
Features

- Low power consumption
- Wide common-mode (up to V_{CC^+}) and differential voltage range
- Low input bias and offset current
- Output short-circuit protection
- High input impedance JFET input stage
- Internal frequency compensation
- Latch up free operation
- High slew rate 16 V/ μ s (typical)

Description

These circuits are high speed JFET input dual operational amplifiers incorporating well matched, high voltage JFET and bipolar transistors in a monolithic integrated circuit.

The devices feature high slew rates, low input bias and offset currents, and low offset voltage temperature coefficient.

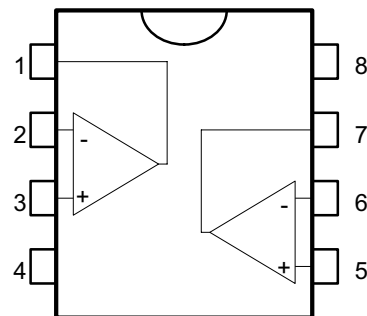


**N
DIP8**
(Plastic package)



**D
SO-8**
(Plastic micro package)

Pin connections
(top view)



- 1 - Output1
- 2 - Inverting input 1
- 3 - Non-inverting input 1
- 4 - V_{CC^-}
- 5 - Non-inverting input 2
- 6 - Inverting input 2
- 7 - Output 2
- 8 - V_{CC^+}

2 Absolute maximum ratings and operating conditions

Table 1. Absolute maximum ratings

Symbol	Parameter	Value	Unit
V_{CC}	Supply voltage ⁽¹⁾	±18	V
V_i	Input voltage ⁽²⁾	±15	V
V_{id}	Differential input voltage ⁽³⁾	±30	V
R_{thja}	Thermal resistance junction to ambient ⁽⁴⁾		
	SO-8 DIP8	125 85	°C/W
R_{thjc}	Thermal resistance junction to case ⁽⁴⁾		
	SO-8 DIP8	40 41	°C/W
	Output short-circuit duration ⁽⁵⁾	Infinite	
T_{stg}	Storage temperature range	-65 to +150	°C
ESD	HBM: human body model ⁽⁶⁾	1	kV
	MM: machine model ⁽⁷⁾	200	V
	CDM: charged device model ⁽⁸⁾	1.5	kV

- All voltage values, except differential voltage, are with respect to the zero reference level (ground) of the supply voltages where the zero reference level is the midpoint between V_{CC}^+ and V_{CC}^- .
- The magnitude of the input voltage must never exceed the magnitude of the supply voltage or 15 volts, whichever is less.
- Differential voltages are the non-inverting input terminal with respect to the inverting input terminal.
- Short-circuits can cause excessive heating and destructive dissipation. Values are typical.
- The output may be shorted to ground or to either supply. Temperature and/or supply voltages must be limited to ensure that the dissipation rating is not exceeded.
- Human body model: a 100 pF capacitor is charged to the specified voltage, then discharged through a 1.5 kΩ resistor between two pins of the device. This is done for all couples of connected pin combinations while the other pins are floating.
- Machine model: a 200 pF capacitor is charged to the specified voltage, then discharged directly between two pins of the device with no external series resistor (internal resistor < 5 Ω). This is done for all couples of connected pin combinations while the other pins are floating.
- Charged device model: all pins and the package are charged together to the specified voltage and then discharged directly to the ground through only one pin. This is done for all pins.

Table 2. Operating conditions

Symbol	Parameter	LF253	LF353	Unit
V_{CC}	Supply voltage	6 to 36		V
T_{oper}	Operating free-air temperature range	-40 to +105	0 to +70	°C

3 Electrical characteristics

Table 3. Electrical characteristics at $V_{CC} = \pm 15\text{ V}$, $T_{amb} = +25^\circ\text{C}$ (unless otherwise specified)

Symbol	Parameter	Min.	Typ.	Max.	Unit
V_{io}	Input offset voltage ($R_S = 10\text{k}\Omega$) $T_{min} \leq T_{amb} \leq T_{max}$		3	10 13	mV
DV_{io}	Input offset voltage drift		10		$\mu\text{V}/^\circ\text{C}$
I_{io}	Input offset current ⁽¹⁾ $T_{min} \leq T_{amb} \leq T_{max}$		5	100 4	pA nA
I_{ib}	Input bias current ⁽¹⁾ $T_{min} \leq T_{amb} \leq T_{max}$		20	200 20	pA nA
A_{vd}	Large signal voltage gain ($R_L = 2\text{k}\Omega$, $V_o = \pm 10\text{V}$) $T_{min} \leq T_{amb} \leq T_{max}$	50 25	200		V/mV
SVR	Supply voltage rejection ratio ($R_S = 10\text{k}\Omega$) $T_{min} \leq T_{amb} \leq T_{max}$	80 80	86		dB
I_{CC}	Supply current, no load $T_{min} \leq T_{amb} \leq T_{max}$		1.4	3.2 3.2	mA
V_{icm}	Input common mode voltage range	± 11	+15 -12		V
CMR	Common mode rejection ratio ($R_S = 10\text{k}\Omega$) $T_{min} \leq T_{amb} \leq T_{max}$	70 70	86		dB
I_{OS}	Output short-circuit current $T_{min} \leq T_{amb} \leq T_{max}$	10 10	40	60 60	mA
$\pm V_{opp}$	Output voltage swing $R_L = 2\text{k}\Omega$ $R_L = 10\text{k}\Omega$ $T_{min} \leq T_{amb} \leq T_{max}$ $R_L = 2\text{k}\Omega$ $R_L = 10\text{k}\Omega$	10 12 10 12	12 13.5		V
SR	Slew rate, $V_i = 10\text{V}$, $R_L = 2\text{k}\Omega$, $C_L = 100\text{pF}$, unity gain	12	16		V/ μs
t_r	Rise time, $V_i = 20\text{mV}$, $R_L = 2\text{k}\Omega$, $C_L = 100\text{pF}$, unity gain		0.1		μs
K_{ov}	Overshoot, $V_i = 20\text{mV}$, $R_L = 2\text{k}\Omega$, $C_L = 100\text{pF}$, unity gain		10		%
GBP	Gain bandwidth product, $f = 100\text{kHz}$, $V_{in} = 10\text{mV}$, $R_L = 2\text{k}\Omega$, $C_L = 100\text{pF}$	2.5	4		MHz
R_i	Input resistance		10^{12}		Ω
THD	Total harmonic distortion, $f = 1\text{kHz}$, $A_v = 20\text{dB}$, $R_L = 2\text{k}\Omega$, $C_L = 100\text{pF}$, $V_o = 2V_{pp}$		0.01		%
e_n	Equivalent input noise voltage $R_S = 100\Omega$, $f = 1\text{kHz}$		15		$\frac{\text{nV}}{\sqrt{\text{Hz}}}$
ϕ_m	Phase margin		45		Degrees
V_{o1}/V_{o2}	Channel separation ($A_v = 100$)		120		dB

1. The input bias currents are junction leakage currents which approximately double for every 10°C increase in the junction temperature.

6.2 SO-8 package information

Figure 23. SO-8 package mechanical drawing

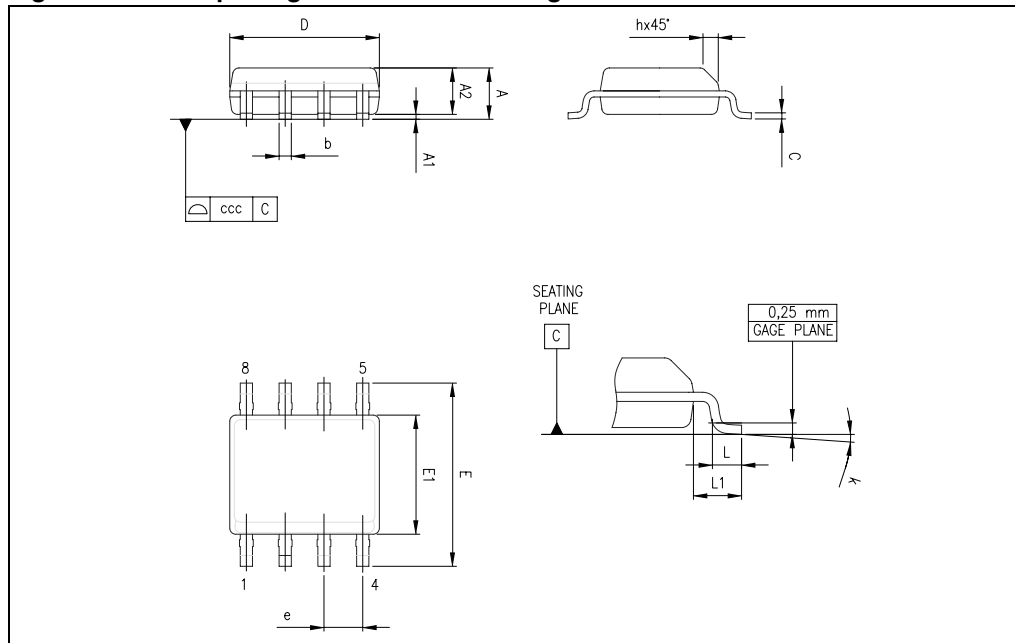


Table 5. SO-8 package mechanical data

Ref.	Dimensions					
	Millimeters			Inches		
	Min.	Typ.	Max.	Min.	Typ.	Max.
A			1.75			0.069
A1	0.10		0.25	0.004		0.010
A2	1.25			0.049		
b	0.28		0.48	0.011		0.019
c	0.17		0.23	0.007		0.010
D	4.80	4.90	5.00	0.189	0.193	0.197
E	5.80	6.00	6.20	0.228	0.236	0.244
E1	3.80	3.90	4.00	0.150	0.154	0.157
e		1.27			0.050	
h	0.25		0.50	0.010		0.020
L	0.40		1.27	0.016		0.050
L1		1.04			0.040	
k	1°		8°	1°		8°
ccc			0.10			0.004

7 Ordering information

Table 6. Order codes

Order code	Temperature range	Package	Packing	Marking
LF253N	-40°C, +105°C	DIP8	Tape	LF253N
LF253D LF253DT		SO-8	Tape or Tape & reel	253
LF353N	0°C, +70°C	DIP8	Tape	LF353N
LF353D LF353DT		SO-8	Tape or Tape & reel	353