

# AC axial fans

A series, Ø 200

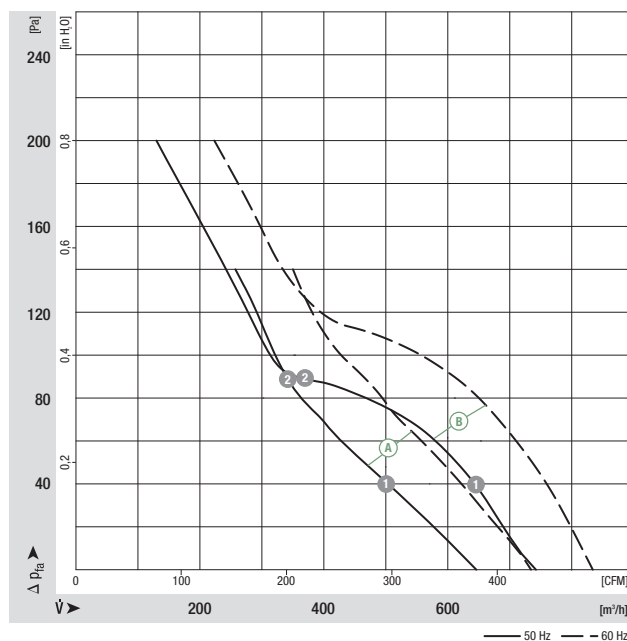


- **Material:** Guard grille: Steel, phosphated and coated in black plastic  
Wall ring: Sheet steel, pre-galvanised and coated in black plastic  
Blades: Sheet steel, coated in black  
Rotor: Coated in black
- **Number of blades:** 5
- **Direction of rotation:** Direction of air flow "V" counter-clockwise, direction of air flow "A" clockwise, seen on rotor
- **Type of protection:** IP 44
- **Insulation class:** "B"
- **Mounting position:** Shaft horizontal or rotor on bottom; rotor on top on request
- **Condensate discharges:** Rotor-side
- **Mode of operation:** Continuous operation (S1)
- **Bearings:** Maintenance-free ball bearings

Nominal data		Curve	Nominal voltage	Frequency	Air flow	Speed/rpm	Power input	Current draw	Capacitor	Sound pressure level	Max. operative range	Perm. amb. temp.	Mass without attachments	Electr. connection
Type	Motor		VAC	Hz	m³/h	rpm	W	A	µF/VDB	dB(A)	Pa	°C	kg	p. 416 f.
*2D 200 (1)	M2D 068-CF	A	3~ 230/400	50	830	2800	53	0.26/0.15	—	67	140	-25 to +75	1.7	C1)/C2)
			3~ 230/400	60	940	3150	70	0.24/0.14	—	70	140	-25 to +75		
*2E 200	M2E 068-CA	B	1~ 230	50	740	2740	50	0.24	1.5/400	65	200	-25 to +75	1.4	A1)
			1~ 230	60	830	3120	61	0.28	1.5/400	69	200	-25 to +75		
*4D 200 (1)	M4D 068-CF	C	3~ 230/400	50	390	1450	22	0.16/0.09	—	51	70	-25 to +60	1.5	C1)/C2)
			3~ 230/400	60	460	1730	21	0.12/0.07	—	55	100	-25 to +80		
*4S 200	M4S 068-BF	D	1~ 230	50	375	1380	40	0.30	—	52	60	-25 to +50	1.2	B)
			1~ 230	60	445	1630	34	0.24	—	53	80	-25 to +65		

subject to alterations (1) 230 VAC Δ / 400 VAC Y

## Curves



	n [rpm]	P <sub>1</sub> [W]	I [A]
A 1	2785	53	0.15
A 2	2770	55	0.15
B 1	2670	51	0.24
B 2	2670	50	0.24

- **Motor protection:** (A) (C) Without TOP, (B) (D) TOP wired internally
- **Cable exit:** (A) (C) (D) Lateral, (B) variable
- **Protection class:** I
- **Product conforming to standards:** EN 60335-1, (B) (D) also CE
- **Approvals:** (B) CCC

Direction of air flow



< "V"/"A" >

< "V"/"A" >

< "V"/"A" >

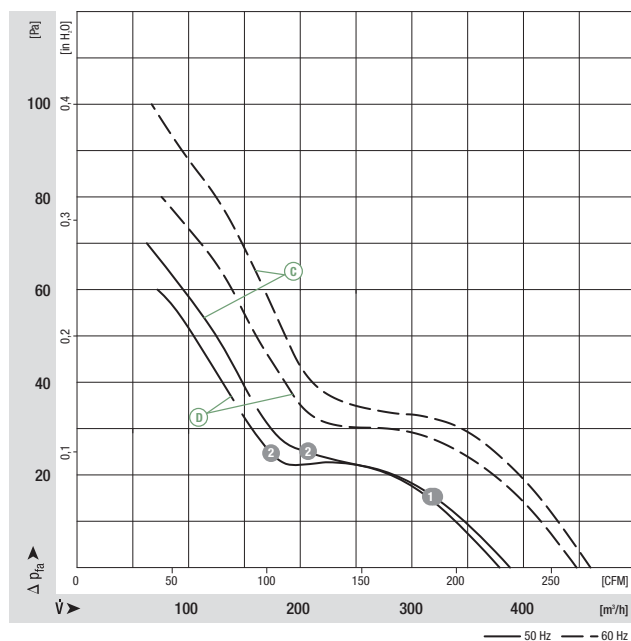
Without attachments

With full round nozzle

With guard grille for full nozzle

"V"	A2D 200-AA02 -01	W2D 200-CA02 -01	S2D 200-BA02 -01
"A"	A2D 200-AA02 -02	W2D 200-CA02 -02	S2D 200-BA02 -02
"V"	A2E 200-AF02 -01	W2E 200-CF02 -01	S2E 200-BF02 -01
"A"	A2E 200-AF02 -02	W2E 200-CF02 -02	S2E 200-BF02 -02
"V"	A4D 200-AA04 -01	W4D 200-CA04 -01	S4D 200-BA04 -01
"A"	A4D 200-AA04 -02	W4D 200-CA04 -02	S4D 200-BA04 -02
"V"	A4S 200-AA02 -01	W4S 200-CA02 -01	S4S 200-BA02 -01
"A"	A4S 200-AA02 -02	W4S 200-CA02 -02	S4S 200-BA02 -02

## Curves



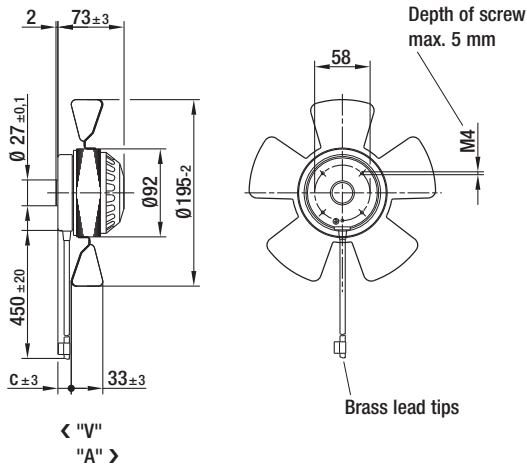
	n [rpm]	P <sub>1</sub> [W]	I [A]
(C) 1	1460	24	0.09
(C) 2	1460	24	0.09
(D) 1	1375	40	0.30
(D) 2	1380	39	0.29

# AC axial fans

A series, Ø 200, drawings of directions of air flow "V" and "A"



## Without attachments



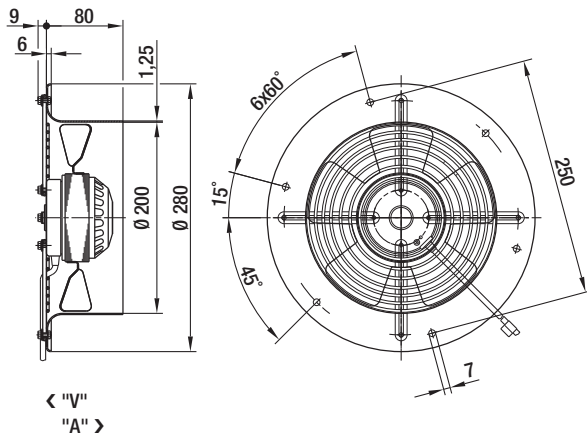
## Type

c

A2D 200-AA02 -01	"V"	21.0
A2D 200-AA02 -02	"A"	21.0
A2E 200-AF02 -01	"V"	21.0
A2E 200-AF02 -02	"A"	21.0
A4D 200-AA04 -01	"V"	20.0
A4D 200-AA04 -02	"A"	20.0
A4S 200-AA02 -01	"V"	20.0
A4S 200-AA02 -02	"A"	20.0



## With full round nozzle

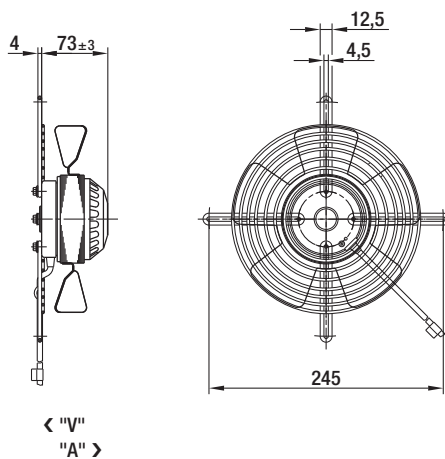


## Type

W2D 200-CA02 -01	"V"
W2D 200-CA02 -02	"A"
W2E 200-CF02 -01	"V"
W2E 200-CF02 -02	"A"
W4D 200-CA04 -01	"V"
W4D 200-CA04 -02	"A"
W4S 200-CA02 -01	"V"
W4S 200-CA02 -02	"A"



## With guard grille for full nozzle



## Type

S2D 200-BA02 -01	"V"
S2D 200-BA02 -02	"A"
S2E 200-BF02 -01	"V"
S2E 200-BF02 -02	"A"
S4D 200-BA04 -01	"V"
S4D 200-BA04 -02	"A"
S4S 200-BA02 -01	"V"
S4S 200-BA02 -02	"A"