

Please note that the data given here has been taken from the online catalog. For comprehensive information and data, please refer to the user documentation at <http://www.download.phoenixcontact.com>. The General Terms and Conditions of Use apply to Internet downloads.

## ► Extract from the online catalog



Modular repeater for electrical isolation and range increase for PROFIBUS up to 12 mbps, 4-way isolation, rail-mountable, supply 24 V DC

Order No.	2708863
Ord designation	PSI-REP-PROFIBUS/12MB
EAN	4046356078993
Pack	1 Pcs.
Customs tariff	85176200
Weight/Piece	0.213 KG
Catalog page information	Page 427 (IF-2007)

## ► Technical data

### Serial interface

Interface 1	PROFIBUS acc. to IEC 61158, RS-485 2-conductor
Operating mode	Through PROFIBUS connector
File format/coding	UART (11 Bit, NRZ)
Data direction switching	Automatic control, min. station response time 2 bits
Transmission medium	2-wire twisted pair, shielded
Transmission length	Max. 1200 m (Depends on transmission rate and cable type)
Type of connection	D-SUB-9 female connector
Conductor cross section solid min.	0.2 mm <sup>2</sup>

## PSI-REP-PROFIBUS/12MB



---

Conductor cross section solid max.	2.5 mm <sup>2</sup>
Conductor cross section stranded min.	0.2 mm <sup>2</sup>
Conductor cross section stranded max.	2.5 mm <sup>2</sup>
Conductor cross section AWG/kcmil min.	24
Conductor cross section AWG/kcmil max	12
Serial transmission rate	Manual and automatic adjustment: 9.6/19.2/45.45/93.75/187.5/500 kbps; 1.5/3/6/12 mbps

---

**Fault warning output**

Maximum switching voltage	60 V DC
Maximum switching voltage	42 V AC
Limiting continuous current	1 A

---

**Power supply**

Nominal supply voltage	24 V DC $\pm$ 20 %
Typical current consumption	90 mA

---

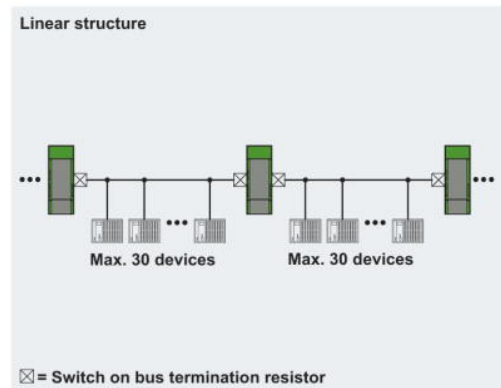
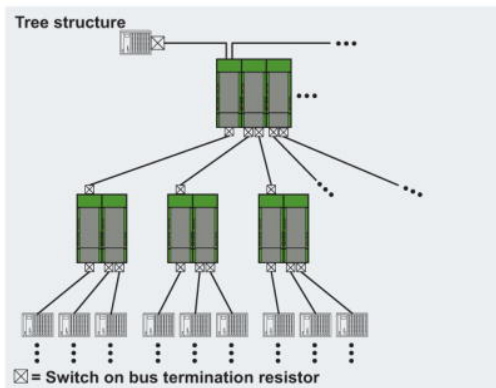
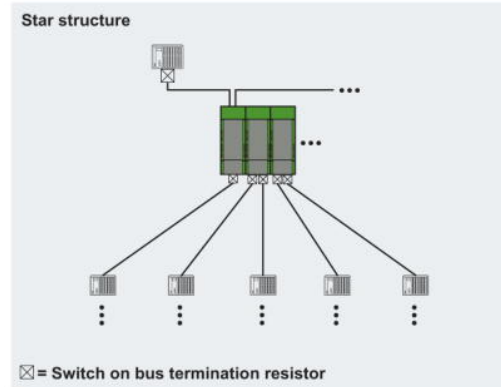
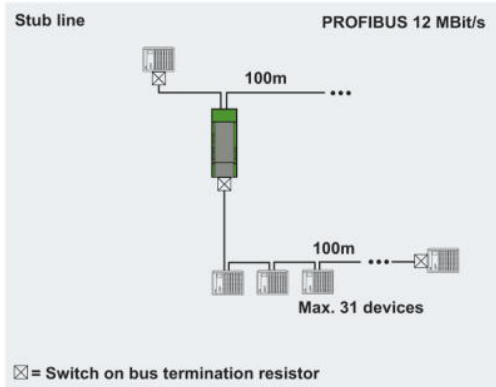
**General data**

Transmission channels	2 (1/1), TD, RD, half duplex
Bit delay	11 Bit
Bit distortion, input	Max. $\pm$ 35 %
Bit distortion output	< 6.25 %
Length	99 mm
Height	105 mm
Width	35 mm
Ambient temperature (operation)	-20 °C ... 60 °C
Electrical isolation	PROFIBUS (A) // PROFIBUS (B) // Supply // DIN rail connector
Test voltage data interfaces	1.5 kV
Electromagnetic compatibility	Conformance with EMC directive 89/336/EEC
Emitted interference	EN 55011
Immunity to interference	EN 61000-4-2
Housing material	PA V0, color green
Color	green

---

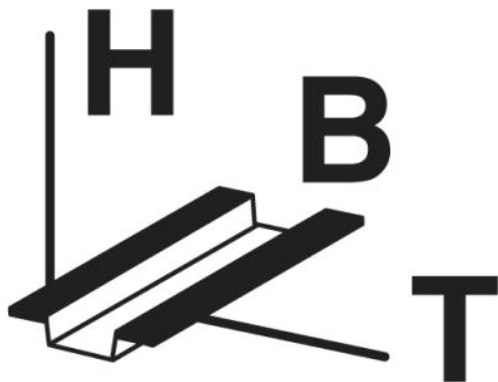
► Drawings

Application drawing



Block diagram

Logo



---

## ► Accessories

---

Item	Designation	Description
<b>Cable/conductor</b>		
2744652	PSM-CABLE-PROFIB/FC	PROFIBUS cable, Fast Connect type, up to 12 Mbit/s (02YSY (ST)CY 1x2x22 AWG)
<b>General</b>		
2709561	ME 17,5 TBUS 1,5/ 5-ST-3,81 GN	Bus connector, gold-plated contacts, for mounting on DIN rail, 5-pos.
2866983	MINI-SYS-PS-100-240AC/24DC/1.5	Power supply unit, primary switched-mode, narrow design, output: 24 V DC / 1.5 A
<b>Plug/Adapter</b>		
2708245	SUBCON-PLUS-PROFIB/PG/SC2	Small, angled Profibus connector with screw connection and additional Pg connection
2708232	SUBCON-PLUS-PROFIB/SC2	Small, angled Profibus connector with screw connection

---

---

## ► Address

---

PHOENIX CONTACT Inc., USA  
586 Fulling Mill Road  
Middletown, PA 17057  
USA  
Phone (800) 888-7388  
Fax (717) 944-1625  
<http://www.phoenixcon.com>  
© Phoenix Contact  
Technical modifications reserved;