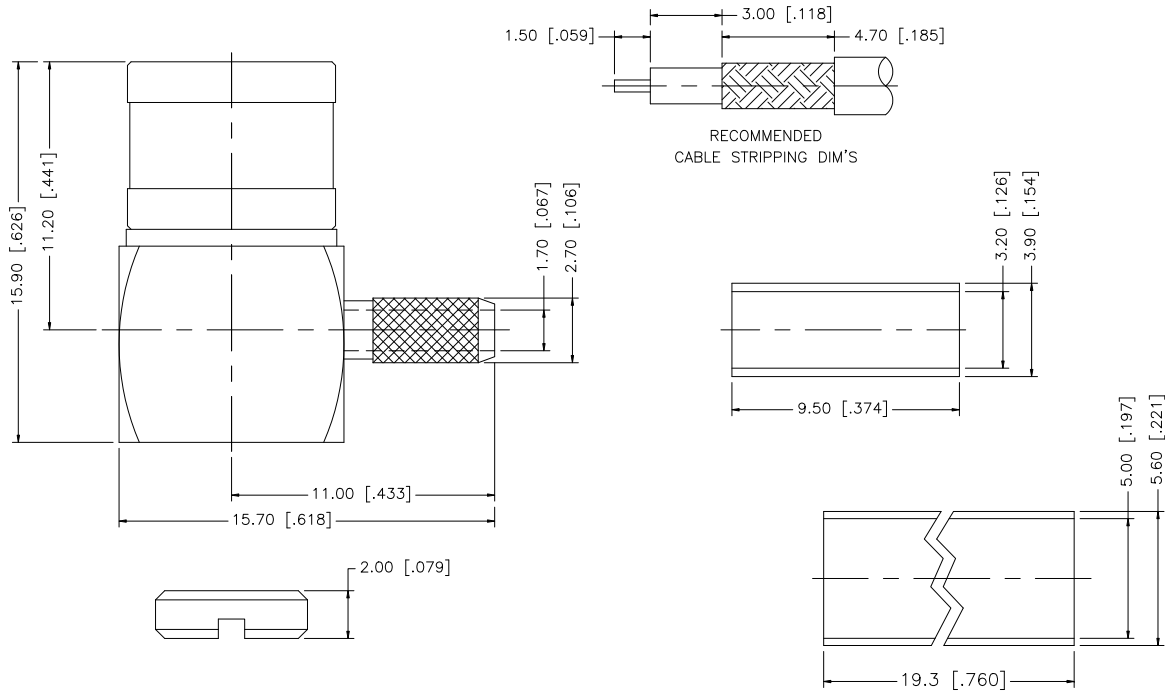


REV.	DATE	DESCRIPTION
B	03/27/05	UPDATE DRAWING FORMAT
C	03/08/08	REVISE PLATING TO GOLD, ADD CONTACT PIN IN MATERIAL CALLOUT



8					APPROVALS	DATE	Amphenol Connex				
7					DRAWN	G.R.S.					03/08/08
6	HEAT SHRINK TUBE			1	CHECKED			PART NO. 142115			
5	FERRULE	BRASS	GOLD	1	ISSUED						
4	NUT	BRASS	GOLD	1	SHEET	1 OF 1		REV. C SIZE A SCALE NA			
3	CONTACT PIN	BRASS	GOLD	1	CAD FILE C:/142/142115.DWG						
2	INSULATOR	TEFLON	NATURAL	1							
1	BODY	BRASS	GOLD	1							
DESCRIPTION				MATERIAL	FINISH	QTY	DO NOT SCALE DRAWING				

UNLESS OTHERWISE SPECIFIED DIMENSIONS ARE IN MILLIMETERS; DIMENSIONS IN [] ARE IN INCHES AND FOR CUSTOMER REFERENCE ONLY.

UNLESS OTHERWISE SPECIFIED TOLERANCES FOR MILLIMETERS ARE:
0.5 - 8mm ± 0.20mm
8 - 30mm ± 0.40mm
30 - 120mm ± 0.50mm

UNLESS OTHERWISE SPECIFIED TOLERANCES FOR INCHES ARE:
.020 - .315 = ± 0.007"
.315 - 1.180 = ± 0.015"
1.180 - 4.724 = ± 0.020"