

Current refinements (click to remove)

[Search Tips](#)
 [Region](#) **USA** [Product Family](#) **Code Conductor, One-Hole, Standard Barrel with Window Lug** [Text Search](#): 'LCA1/0-12-X'

Your search criteria matched only one product, shown below.
Related Products

- [Contour Crimp™ Control...](#)
- [Die Type, Manual, Crimping Tool](#)
- [CD-720 Crimping Dies](#)
- [Die Type, Manual Hydraulic, 14 Ton,...](#)
- [Die Type, Remote Hydraulic, 14 Ton,...](#)
- [Die Type, Battery Powered Hydraulic...](#)
- [More...](#)

For Use with Stranded Copper Conductors

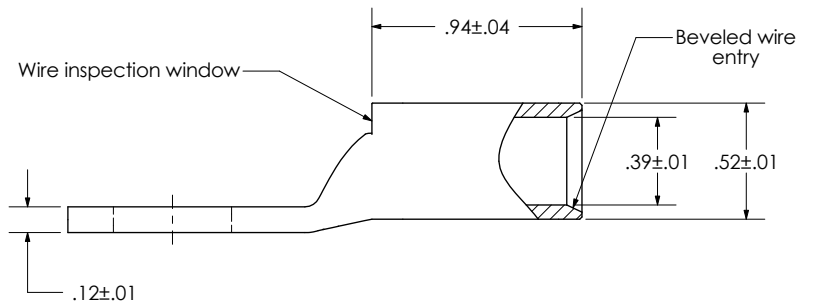
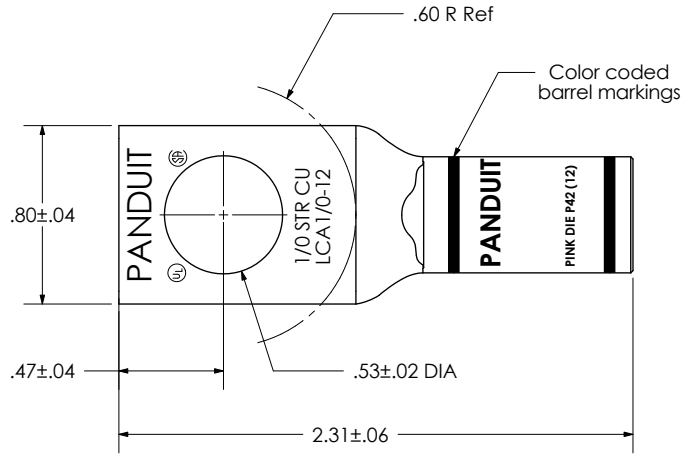
- Color-coded barrels marked with *PANDUIT* and specified competitor die index numbers for proper crimp die selection
- Inspection window to visually assure full conductor insertion
- Tin-plated to inhibit corrosion
- UL Listed and CSA Certified to 35 KV** and temperature rated to 90°C when crimped with *PANDUIT* and specified competitor crimping tools and dies
- UL Listed and CSA Certified for wide wire range-taking capability when crimped with *PANDUIT*® *Uni-Die*™ Dieless Crimping Tools†
- **Tested by Telcordia – meets NEBS Level 3**
- American Bureau of Shipping Approved



Part Number:	LCA1/0-12-X
RoHS Compliancy Status:	Compliant
Part Description:	One-hole, standard barrel with window lug, 1/0 AWG wire, 1/2" stud hole.
Product Type:	Compression Connectors - Lugs
CSA Certified:	Yes
UL Listed:	Yes
Length (In.):	2.31
Length (mm):	58.7
Copper Conductor Size:	1/0 AWG
Stud Hole Size (In.):	1/2
Tongue Width (In.):	.80
Barrel Length (In.):	.94
Angle:	Straight
Clearance:	.60
Figure No.:	1
Panduit Color Code:	Pink
Panduit Die Index No.:	P42
Tongue Thickness:	.12
Tongue Type:	Standard
Tongue Width (mm):	20.3
Wire Range (mm²):	70
Wire Strip Length (In.):	1
Min. Order UOM:	PC
Min. Order Qty.:	1
Burndy Die Index No.:	12
T&B Die Index No.:	42
BOM Qty. (# of Pkgs.)	

THIS COPY IS PROVIDED ON A RESTRICTED BASIS AND IS NOT TO BE USED IN ANY WAY DETRIMENTAL TO THE INTERESTS OF PANDUIT CORP.

Material	High Conductivity Seamless Copper Tube
Plating	Electro-Tin
Wire Size	1/0 AWG
Wire Type	Stranded Copper; Class B: Compact, Compressed or Concentric, Class C: Concentric
Wire Strip Length	1.0 in.
Stud Size	1/2 in.
UL Listed Wire Connector	Yes, for applications up to 35kv. Consult cable manufacturer for voltage stress relief instructions with applications greater than 2000 volts.
UL Temperature Rating	90 ° C
C.S.A Certified Wire Connector	Yes
Panduit Color Code on Barrel	PINK
Panduit Die Index No. on Barrel	P42
Alternate Industry Die Index No. () on Barrel	(12)



					PANDUIT CORP. TINLEY PARK, ILLINOIS	
					LCA1/0-12-X Copper Lug - One-Hole, Standard Barrel	
01	1/08	DRL	DRL	REMOVED NAVY NUMBER FROM STAMP	ECN	SCALE N/A
REV	DATE	BY	CHK	DESCRIPTION	ECN	DRAWING NO / CAD FILE
						LCA1_0-12-CUST